

We produce only
cooker hoods
Since 1981.

COOKER HOODS CATALOG



SINCE 1981,
WE KEEP PRODUCING,
DEVELOPING AND
WORKING WITH
ENTHUSIASM TO
HARMONIZE ELEGANT
KITCHENS...

Hundreds of employment, over 550.000 production capacity/year,
8000m2 cooker hood production area, more than 20 patents, OEM
& ODM production for more than 300 brands, CE, CB, LVD, EMC,
ISO certifications.

Since 2012, **PROFF**essional meeting of the kitchen
and aesthetics...now export to 85 countries.



HIBSAN | PROFF

contents



TV HOOD

07 KITCHEN TV HOOD



INCLINED HOODS

10 LD99	14 LD51	18 LD47-X	23 LD47-W	27 LD100
11 LD75	15 LD50	19 LD47	24 LD43	
12 LD55	16 LD48-X	20 LD42	25 LD43PB	
13 LD74	17 LD48-GL-90	21 LD46	26 LD43PBW	



T-TYPE HOODS

30 LD96	34 LD35	37 LD88
31 LD96B-90	35 LD23	
33 LD96PB	36 LD36	



T-GLASS HOODS

40 LD21	43 LD22 ECO-90
41 LD22	44 LD22-03B TOUCH
42 LD22 ECO	45 LD22-03W TOUCH



RUSTIC HOODS

48 SD61 BW	50 SD64	52 SD56 BGR
49 SD61 SW	51 SD64B	53 SD56 BLR



55

PYRAMID HOODS

- | | | |
|--------------|------------|------------|
| 56 SD59B | 60 SD56 | 63 SD56 WH |
| 57 SD54 | 61 SD56-90 | |
| 59 SD54R-120 | 62 SD56B | |



65

CORNER HOODS

- 66 LD33PB
- 67 LD33



69

ISLAND HOODS

- | | | |
|-------------|----------|----------|
| 70 LDI49 | 74 LDI22 | 78 LDI96 |
| 71 LDI35 GL | 75 LDI24 | 79 LDI40 |
| 72 LDI35 | 76 LDI23 | |
| 73 LDI21 | 77 LDI36 | |



81

BUILT-IN HOODS

- | | | | |
|-----------|---------------|----------|--------------|
| 82 GD82B | 87 GD52W | 92 GS52X | 96 GLD52 VR1 |
| 83 GD82X | 88 GD52 VR3 X | 93 GS52B | 97 GLD52 VR2 |
| 84 GS72BG | 89 GD52 VR3 W | 93 GS52B | |
| 85 GD52X | 90 GD52 VR3 B | 94 GS52W | |
| 86 GD52B | 91 GC52X | 95 GLD52 | |



99

CLASSIC HOODS

- | | | | |
|-------------------|------------|-------------------|-------------|
| 100 5501X | 104 5501W | 108 4500W | 111 5400 GL |
| 101 5502X-90 | 105 5501BG | 109 4500X-DIGITAL | |
| 103 5502B-90 - GL | 106 5501BR | 110 4500X-90 | |



113

TELESCOPIC HOODS

- | | | | |
|----------------|---------------|--------------|---------------------|
| 114 7062X-90 | 119 7062GL-BG | 124 6064W | 130 7062BR |
| 115 6064-03-90 | 120 7062X-50 | 125 8080GL-B | 131 7062W |
| 116 6064-03 | 121 9064X | 126 8080GL-W | 132 7062-60 VR10 GL |
| 117 7062GL-W | 122 6064X | 127 7062X | 133 7062VR10 X |
| 118 7062GL-B | 123 9074X | 129 7062RB | 134 6021W |

**The quiet one,
or the colorful...**

**Screened one,
or automatic...**

Harmonious display of different products
produced with same sustainable quality &
same purpose...





2 IN 1



- No more looking for a separate place for TV on your walls!
- No more making holes in your walls, no more using apparatus!
- No more watching from one angle!
- With its patented unique design, it is the latest in old technologies!
- No more old technologies with patented unique design!
- Can be used With / Without Chimney!
- Movable steam steering panel!
- Movable screen that can move left-right, up-down with its special mechanism!
- The TV unit is 100% insulated against moisture, steam, liquid and flame contact.
- Heat resistant tempered glass surface that provides easy maintenance and cleaning!



TV HOOD

Ultra Silence



LED LIGHT



TIMER SHUT-DOWN



FILTER SATURATION INDICATOR



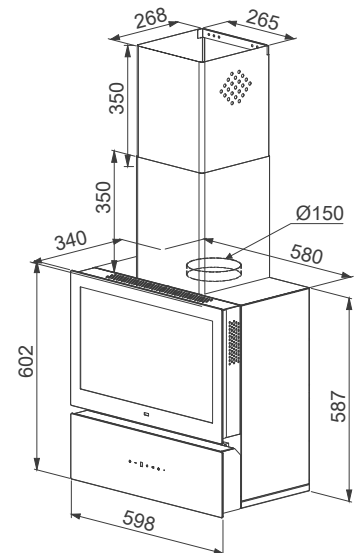
ULTRA SILENCE



BOOSTER LEVELS

> MAIN FEATURES

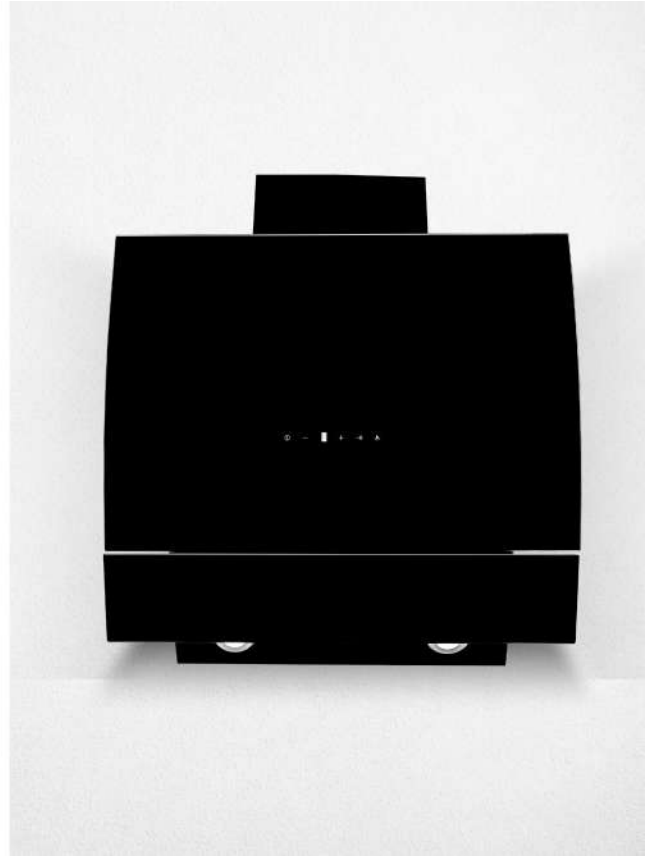
- 60 cm Kitchen Smart TV Cooker Hood
- Touch control with Display
- 5 Speed
- 2x2 Watt LED Spots
- Cassette Type Dishwasher Safe Aluminum Filters
- Energy Class: A
- Free Flow Extraction Power: 962-986 m³/h (Radialitic Silence Motor)
- Package Dimensions(WxDxH): 78x62x44
- Nano Carbon Filter
- Auto Shut Down Timer
- Filter Saturation Indicator
- Remote Control
- Piston Hinge
- 24inc TV With Receiver (USB,HDMI)
- Adjustable TV Direction







INCLINED HOODS



LD99

Curve Black Glass

60-90
CMTOUCH
CONTROLLED
LIGHTTIMER
SHUT-DOWNFILTER
SATURATION
INDICATORAUTOMATIC
OPENREMOTE
CONTROL

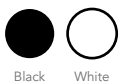
> MAIN FEATURES

- 60 cm Wall-type Inclined Chimney Hood
- Touch Control with display
- 3 Speed
- Auto Intelligent Opening
- 2x2 Watt LED Spots
- Cassette Type Dishwasher Safe Aluminum Filter
- 150 mm Air Outlet
- Double Chimney

> OPTIONAL FEATURES

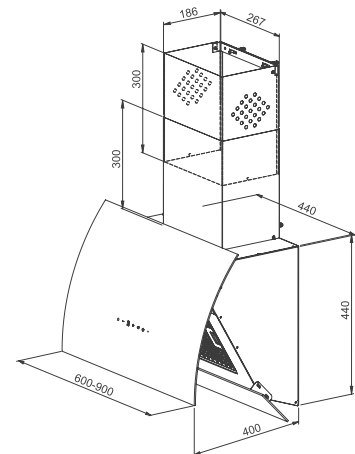
- Carbon Filter Set
- A+ Class Energy
- 700m³/h-210 Watt + A class energy

> GLASS COLORS



Black White

- Auto Shut Down Timer
- Filter Saturation Indicator
- Piston Hinge
- Black Glass
- Noise Level: min 44dBmax 64dB
- DIN EN 61591 min:210 m³/h-max:455 m³/h
- Energy Class: D
- Free Flow Extraction Power: 550³/h-140 Watt
- Package Dimensions (WxDxH): 65x54,5x51





LD75

Soft Close



60-90
CM



LED
LIGHT



TIMER
SHUT-DOWN



FILTER
SATURATION
INDICATOR



BOOSTER
LEVELS

> MAIN FEATURES

- 60 cm Wall-type Inclined Chimney Hood
- Touch Control with display
- 3 Speed
- 2x2 Watt Led Spots
- Cassette Type Dishwasher Safe Aluminum Filter
- Auto Shut Down Timer
- Filter Saturation Indicator
- Piston Hinge Soft Close
- 150 mm Air Outlet
- Double Chimney
- Noise Level: min 44dBmax 64dB
- DIN EN 61591 min 210m³/h-max 455m³/h
- Energy Class: D
- Free Flow Extraction Power: 550 m³/h-140 Watt
- Package Dimensions (WxDxH): 65x54,5x51

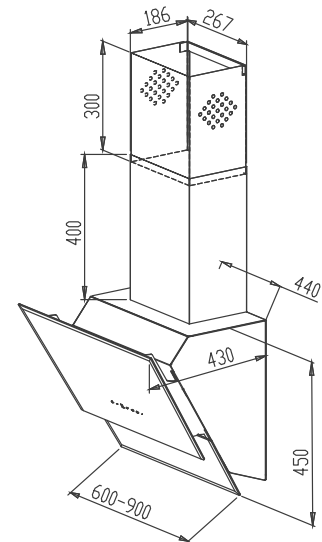
> OPTIONAL FEATURES

- Carbon Filter Set
- A+ Class Energy
- 90 cm Width
- Remote Control
- 700m³/h-210 Watt + A class energy
- 750m³/h-210 Watt + B class energy
- 850 m³/h-200 Watt+5 Speed Motor+C class energy

> GLASS COLORS



Black White





LD55

Black Glass & Silver Stripe

Single Big Glass



60-90
CM



LED
LIGHT



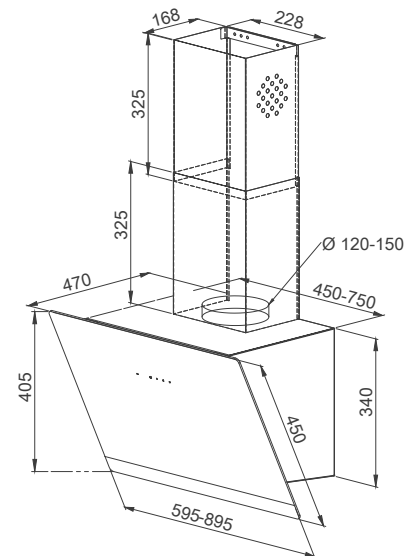
BOOSTER
LEVELS

> MAIN FEATURES

- 60 cm Wall-type Inclined Chimney Hood
- Touch Control
- 3 Speed
- 2x1 Watt Mini LED Spots
- Cassette Type Dishwasher Safe Aluminum Filter
- 120 mm Air Outlet
- Double Chimney
- Auto Shut Down Timer
- Piston Hinge
- Noise Level: min 55dBmax 61dB
- DIN EN 61591 min 125m³/h-max 280m³/h
- Energy Class: D
- Free Flow Extraction Power: 400 m³/h-110 Watt
- Package Dimensions (WxDxH): 62,5x51,5x49

> OPTIONAL FEATURES

- Carbon Filter Set
- A+ Class Energy
- 90 cm Width
- Remote Control
- 700m³/h-210 Watt + A class energy
- 750m³/h-210 Watt + B class energy
- 850 m³/h-200 Watt+C class energy





LD74

Inox & Black Glass



60-90
CM



LED
LIGHT



TIMER
SHUT-DOWN



FILTER
SATURATION
INDICATOR



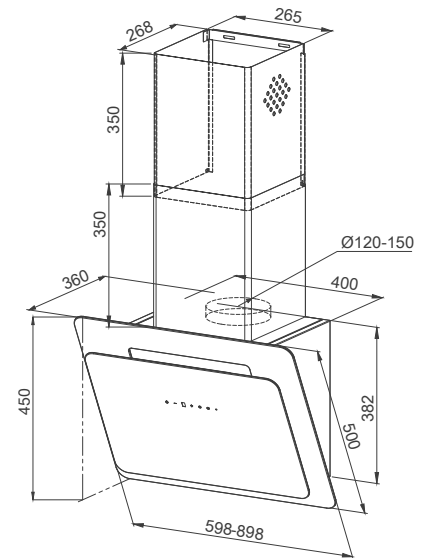
BOOSTER
LEVELS

> MAIN FEATURES

- 60 cm Wall-type Inclined Chimney Hood
- Touch Control with display
- 3 Speed
- 2x2 Watt LED Spots
- Cassette Type Dishwasher Safe Aluminum Filter
- 150 mm Air Outlet
- Double Chimney
- Filter Saturation Indicator
- Auto Shut Down Timer
- Piston Hinge
- Noise Level: min 44dBmax 64dB
- DIN EN 61591 min 210m³/h-max 455m³/h
- Energy Class: D
- Free Flow Extraction Power: 550 m³/h-140 Watt
- Package Dimensions (WxDxH): 67X51,5X49

> OPTIONAL FEATURES

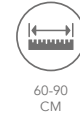
- Carbon Filter Set
- A+ Class Energy
- 90 cm Width
- Remote Control
- 700m³/h-210 Watt + A class energy
- 750m³/h-210 Watt + B class energy
- 850 m³/h-200 Watt+5 Speed Motor+C class energy





LD51

Black Glass

60-90
CMLED
LIGHTTIMER
SHUT-DOWNFILTER
SATURATION
INDICATORBOOSTER
LEVELS

> MAIN FEATURES

- 60 cm Wall-type Inclined Chimney Hood
- Touch Control with Display
- 3 Speed
- 2x2 Watt LED Spots
- Cassette Type Dishwasher Safe Aluminum Filter
- 150 mm Air Outlet
- Double Chimney
- Filter Saturation Indicator
- Auto Shut Down Timer
- Piston Hinge
- Noise Level: min 44dBmax 64dB
- DIN EN 61591 min 210m³/h-max 455m³/h
- Energy Class: D
- Free Flow Extraction Power: 550 m³/h-140 Watt
- Package Dimensions (WxDxH): 67X51,5X49

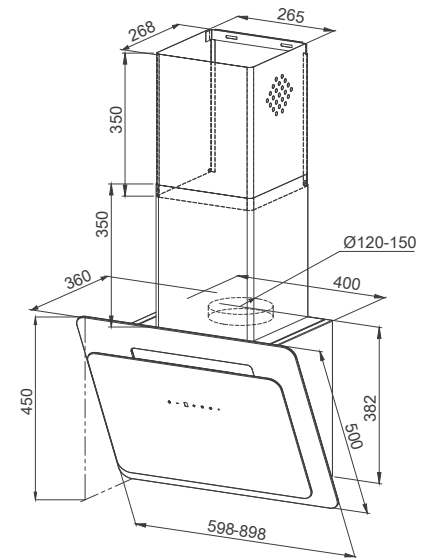
> OPTIONAL FEATURES

- Carbon Filter Set
- A+ Class Energy
- 90 cm Width
- Remote Control
- 700m³/h-210 Watt + A class energy
- 750m³/h-210 Watt + B class energy
- 850 m³/h-200 Watt+5 Speed Motor+C class energy

> GLASS COLORS



Black White Grey





LD50

Black Glass

60-90
CMLED
LIGHTBOOSTER
LEVELS

> MAIN FEATURES

- 60 cm Wall-type Inclined Chimney Hood
- Touch Control with display
- 3 Speed
- 2x2 Watt LED Spots
- Cassette Type Dishwasher Safe Aluminum Filter
- 150 mm Air Outlet
- Double Chimney
- Filter Saturation Indicator
- Auto Shut Down Timer
- Piston Hinge
- Noise Level: min 44dBmax 64dB
- DIN EN 61591 min 210m³/h-max 455m³/h
- Energy Class: D
- Free Flow Extraction Power: 550 m³/h-140 Watt
- Package Dimensions (WxDxH): 68X57X58

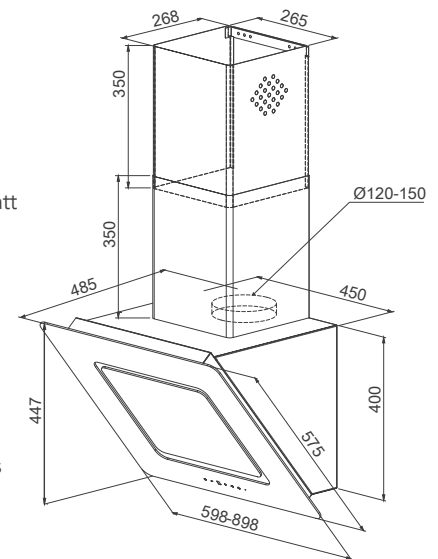
> OPTIONAL FEATURES

- Carbon Filter Set
- A+ Class Energy
- Remote control
- 700m³/h-210 Watt + A class energy
- 750m³/h-210 Watt + B class energy
- 850 m³/h-200 Watt+5 Speed Motor+C class energy

> GLASS COLORS



Black White





LD48-X

Inox



60-90
CM



LED
LIGHT



TIMER
SHUT-DOWN



FILTER
SATURATION
INDICATOR



BOOSTER
LEVELS

> MAIN FEATURES

- 60 cm Wall-type Inclined Chimney Hood
- Electronic Control
- 3 Speed
- 2x2 Watt Led Spots
- Cassette Type Dishwasher Safe Aluminum Filter
- 150 mm Air Outlet
- Double Chimney
- Filter Saturation Indicator
- Auto Shut Down Timer
- Piston Hinge
- Noise Level: min 44dBmax 64dB
- DIN EN 61591 min 210m³/h-max 455m³/h
- Energy Class: D
- Free Flow Extraction Power: 550 m³/h-140 Watt
- Package Dimensions (WxDxH): 70X71X61

> OPTIONAL FEATURES

- Carbon Filter Set
- A+ Class Energy
- 90 cm Width
- 700m³/h-210 Watt + A class energy
- 750m³/h-210 Watt + B class energy
- 850 m³/h-200 Watt+5 Speed Motor+C class energy



LD48-GL-90

Inox & Black Glass



60-90
CM



LED
LIGHT



TIMER
SHUT-DOWN



FILTER
SATURATION
INDICATOR



BOOSTER
LEVELS

> MAIN FEATURES

- 90 cm Wall-type Inclined Chimney Hood
- Electronic Control
- 3 Speed
- 2x2 Watt Led Spots
- Cassette Type Dishwasher Safe Aluminum Filter
- 150 mm Air Outlet
- Double Chimney
- Filter Saturation Indicator
- Auto Shut Down Timer
- Piston Hinge
- Noise Level: min 44dBmax 64dB
- DIN EN 61591 min 210m³/h-max 455m³/h
- Energy Class: D
- Free Flow Extraction Power: 550 m³/h-140 Watt
- Package Dimensions (WxDxH): 100X71X61

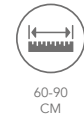
> OPTIONAL FEATURES

- Carbon Filter Set
- A+ Class Energy
- 60 cm Width
- 700m³/h-210 Watt + A class energy
- 750m³/h-210 Watt + B class energy
- 850 m³/h-200 Watt+5 Speed Motor+C class energy



LD47-X

Black Glass & Inox Stripes



60-90
CM



LED
LIGHT



BOOSTER
LEVELS

> MAIN FEATURES

- 60 cm Wall-type Inclined Chimney Hood
- Touch Control
- 3 Speed
- 2x1 Watt Mini LED Spots
- Cassette Type Dishwasher Safe Aluminum Filter
- 120 mm Air Outlet
- Double Chimney
- Noise Level: min 55dBmax 61dB
- Auto Shut Down Timer
- Piston Hinge
- DIN EN 61591 min 125m³/h-max 280m³/h
- Energy Class: D
- Free Flow Extraction Power: 400 m³/h-110 Watt
- Package Dimensions (WxDxH): 62,5X41,7X48

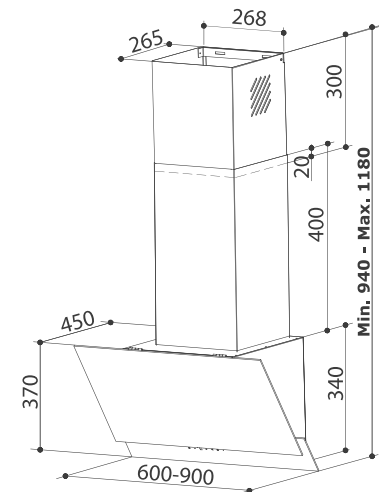
> OPTIONAL FEATURES

- Carbon Filter Set
- A+ Class Energy
- Remote Control
- 90 cm Width
- 550 m³/h-140 Watt+D class energy
- 700m³/h-210 Watt + A class energy
- 750m³/h-210 Watt + B class energy
- 850 m³/h-200 Watt+C class energy

> GLASS COLORS



Black White





LD47

Black Glass

60-90
CMLED
LIGHTBOOSTER
LEVELS

> MAIN FEATURES

- 60 cm Wall-type Inclined Chimney Hood
- Touch Control
- 3 Speed
- 2x1 Watt Mini LED Spots
- Cassette Type Dishwasher Safe Aluminum Filter
- 120 mm Air Outlet
- Double Chimney
- Noise Level: min 55dBmax 61dB
- Auto Shut Down Timer
- Piston Hinge
- DIN EN 61591 min 125m³/h-max 280m³/h
- Energy Class: D
- Free Flow Extraction Power: 400 m³/h-110 Watt
- Package Dimensions (WxDxH): 62,5X41,7X48

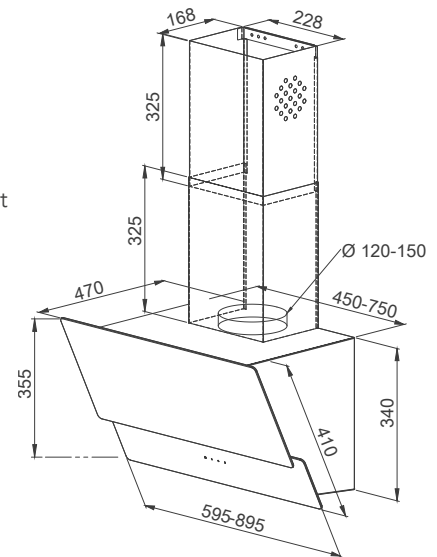
> OPTIONAL FEATURES

- Carbon Filter Set
- A+ Class Energy
- Remote Control
- 90 cm Width
- Stainless Steel Stripes
- 550 m³/h-140 Watt+D class energy
- 700m³/h-210 Watt + A class energy
- 750m³/h-210 Watt + B class energy
- 850 m³/h-200 Watt+C class energy

> GLASS COLORS



Black Gray White





LD42

Black Glass

60-90
CMLED
LIGHT3
BOOSTER
LEVELS

> MAIN FEATURES

- 60 cm Wall-type Inclined Chimney Hood
- Hidden Push-Button Control
- 3 Speed
- 2x1 Watt Led Spot Lamps
- Cassette Type Dishwasher Safe Aluminum Filter
- 120 mm Air Outlet
- Double Chimney
- Noise Level: min 55dBmax 61dB
- DIN EN 61591 min 125m³/h-max 280m³/h
- Energy Class: D
- Free Flow Extraction Power: 400 m³/h-110 Watt
- Package Dimensions (WxDxH): 62,5x41,7x48

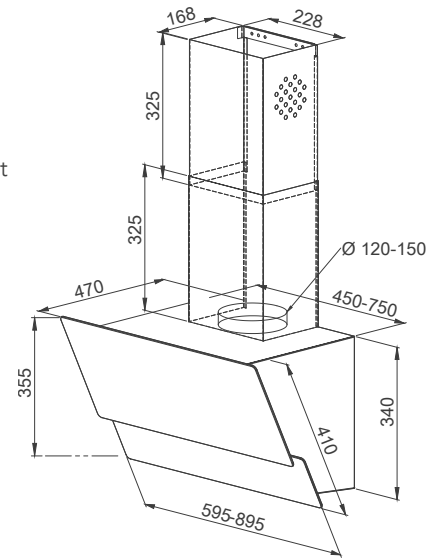
> OPTIONAL FEATURES

- Carbon Filter Set
- A+ Class Energy
- 90 cm Width
- Piston Hinge
- 2x2 Watt LED Spots
- 550 m³/h-140 Watt+D class energy
- 700m³/h-210 Watt + A class energy
- 750m³/h-210 Watt + B class energy
- 850 m³/h-200 Watt+C class energy

> GLASS COLORS



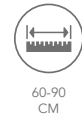
Black White





LD46

Black Glass

60-90
CMLED
LIGHTBOOSTER
LEVELS

> MAIN FEATURES

- 60 cm Wall-type Inclined Chimney Hood
- Push-Button Control
- 3 Speed
- 1x5 Watt LED Lamp
- Cassette Type Dishwasher Safe Aluminum Filter
- 120 mm Air Outlet
- Double Chimney
- Noise Level: min 55dBmax 61dB
- DIN EN 61591 min 125m³/h-max 280m³/h
- Energy Class: D
- Free Flow Extraction Power: 400 m³/h-110 Watt
- Package Dimensions (WxDxH): 62,5x41,7x48

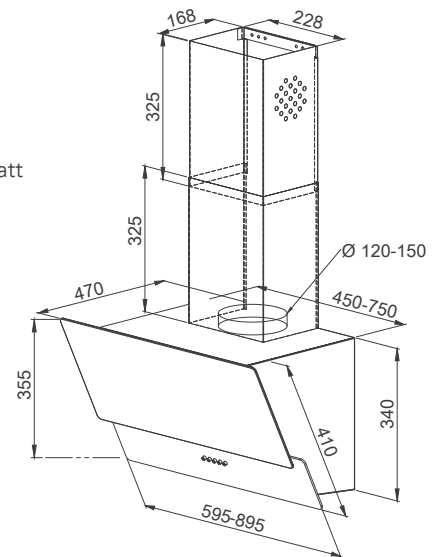
> OPTIONAL FEATURES

- Carbon Filter Set
- A+ Class Energy
- 90 cm Width
- Piston Hinge
- 2x2 Watt LED Spots
- 550 m³/h-140 Watt+D class energy
- 700m³/h-210 Watt + A class energy
- 750m³/h-210 Watt + B class energy
- 850 m³/h-200 Watt+C class energy

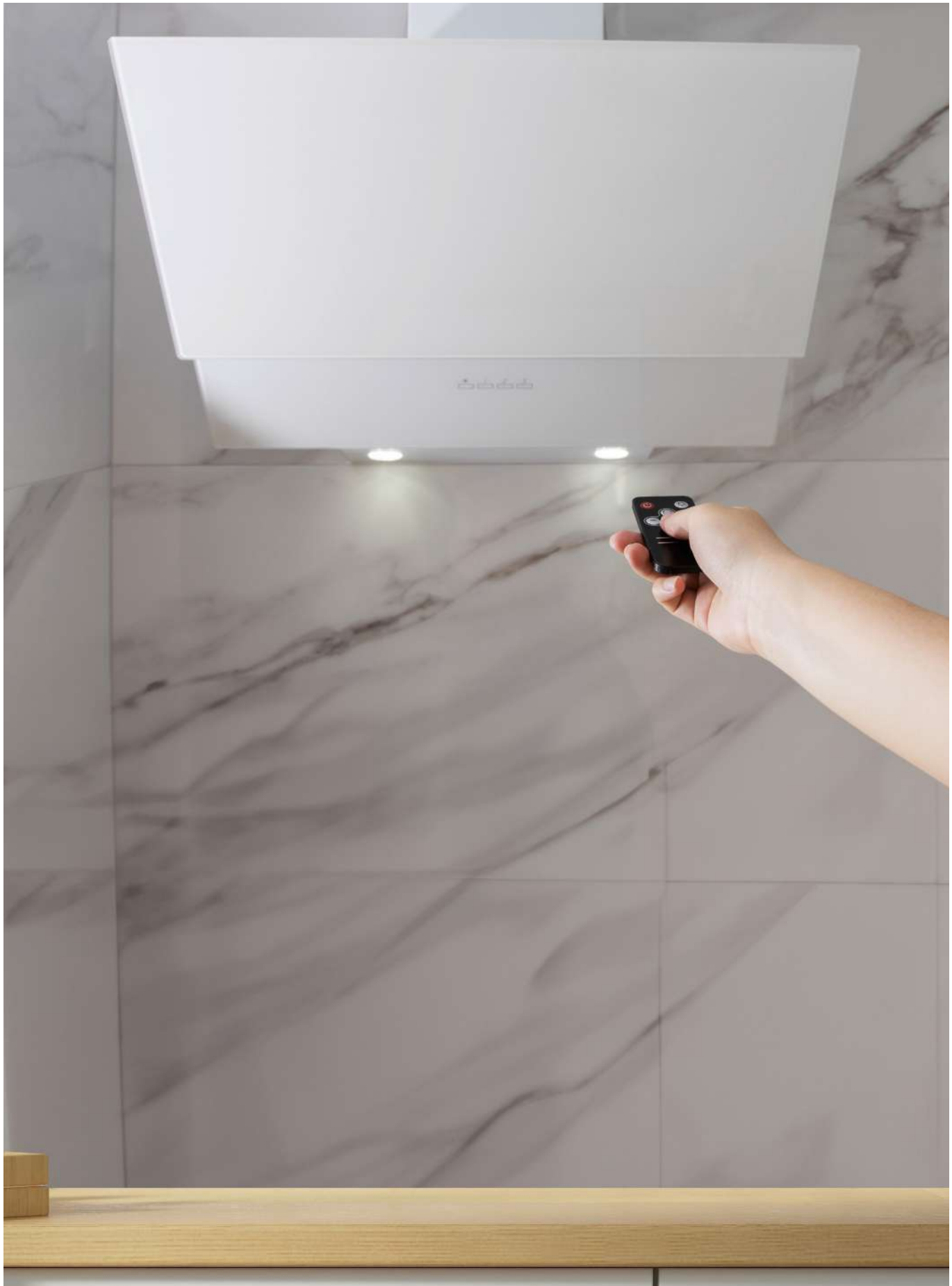
> GLASS COLORS



Black White



INCLINED HOODS





LD47-W

White Glass



60-90
CM



LED
LIGHT



BOOSTER
LEVELS

> MAIN FEATURES

- 60 cm Wall-type Inclined Chimney Hood
- Touch Control
- 3 Speed
- 2x1 Watt Mini LED Spots
- Cassette Type Dishwasher Safe Aluminum Filter
- 120 mm Air Outlet
- Double Chimney
- Noise Level: min 55dBmax 61dB
- DIN EN 61591 min 125m³/h-max 280m³/h
- Energy Class: D
- Free Flow Extraction Power: 400 m³/h-110 Watt
- Package Dimensions (WxDxH): 62,5x41,7x48

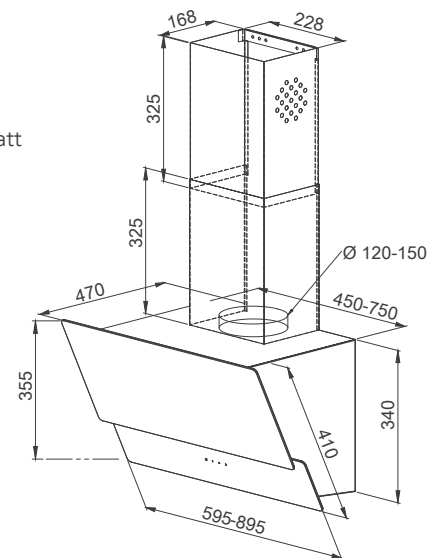
> OPTIONAL FEATURES

- Carbon Filter Set
- A+ Class Energy
- 90 cm Width
- Piston Hinge
- 2x2 Watt LED Spots
- 550 m³/h-140 Watt+D class energy
- 700m³/h-210 Watt + A class energy
- 750m³/h-210 Watt + B class energy
- 850 m³/h-200 Watt+C class energy

> GLASS COLORS



Black Gray White





LD43

Black Glass

NEW



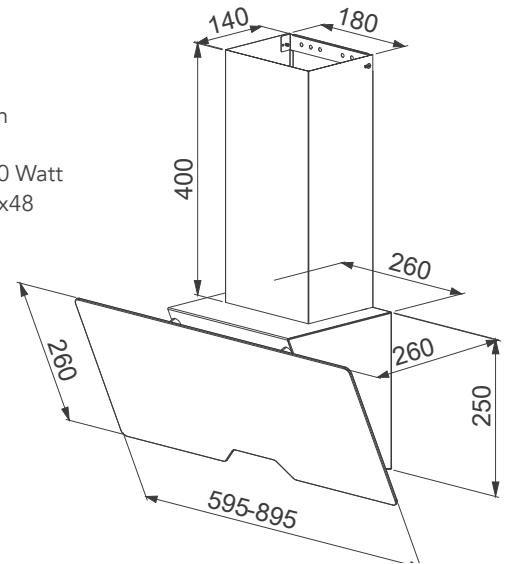
> MAIN FEATURES

- 60 cm Wall-type Inclined Chimney Hood
- Touch Control
- 3 Speed
- 2x1 Watt Mini LED Spots
- Cassette Type Dishwasher Safe Aluminum Filter
- 120 mm Air Outlet
- Single Chimney
- Noise Level: min 55dBmax 61dB
- DIN EN 61591 min 125m³/h-max 280m³/h
- Energy Class: D
- Free Flow Extraction Power: 400 m³/h-110 Watt
- Package Dimensions (WxDxH): 62,5x41,7x48

> OPTIONAL FEATURES

- Carbon Filter Set
- 90 cm Width

> GLASS COLORS





LD43PB

Black Glass



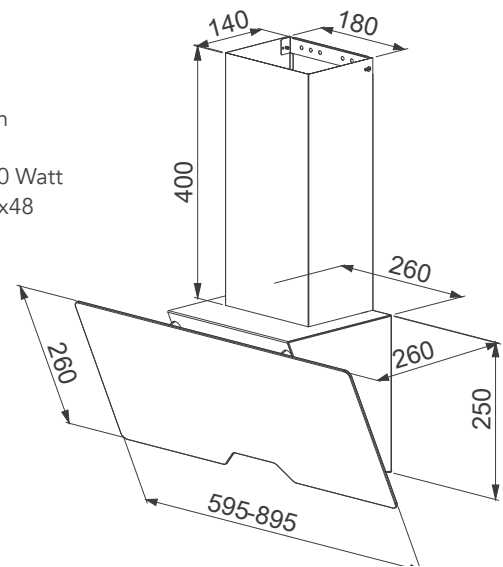
> MAIN FEATURES

- 60 cm Wall-type Inclined Chimney Hood
- Push-Button Control
- 3 Speed
- 1x5 Watt LED Lamp
- Cassette Type Dishwasher Safe Aluminum Filter
- 120 mm Air Outlet
- Single Chimney
- Noise Level: min 55dBmax 61dB
- DIN EN 61591 min 125m³/h-max 280m³/h
- Energy Class: D
- Free Flow Extraction Power: 400 m³/h-110 Watt
- Package Dimensions (WxDxH): 62,5x41,7x48

> OPTIONAL FEATURES

- Carbon Filter Set
- 90 cm Width

> GLASS COLORS





LD43PBW

White Glass



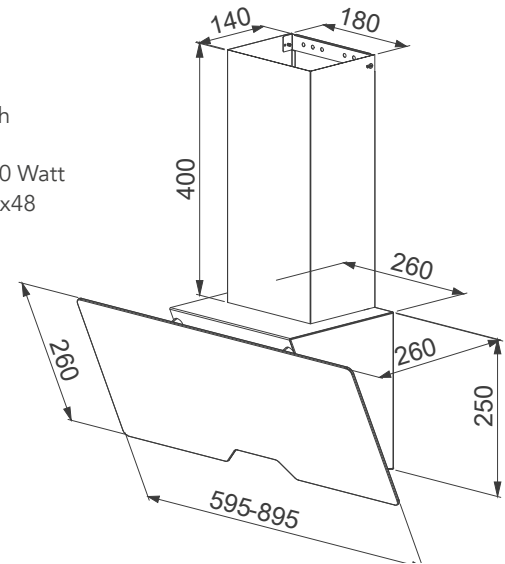
> MAIN FEATURES

- 60 cm Wall-type Inclined Chimney Hood
- Push-Button Control
- 3 Speed
- 1x5 Watt LED Lamp
- Cassette Type Dishwasher Safe Aluminum Filter
- 120 mm Air Outlet
- Single Chimney
- Noise Level: min 55dBmax 61dB
- DIN EN 61591 min 125m³/h-max 280m³/h
- Energy Class: D
- Free Flow Extraction Power: 400 m³/h-110 Watt
- Package Dimensions (WxDxH): 62,5x41,7x48

> OPTIONAL FEATURES

- Carbon Filter Set
- 90 cm Width

> GLASS COLORS





INCLINED HOODS

LD100

Black Glass

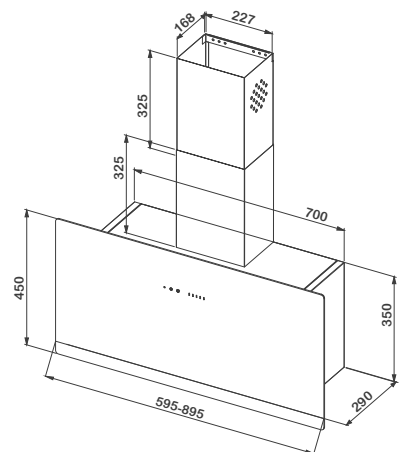


> MAIN FEATURES

- 60 cm Wall-type Chimney Hood
- Flat Design
- Slider Control
- 5 Speed
- 2x2 Watt LED Spots
- Auto Shut Down Timer
- Cassette Type Dishwasher Safe Aluminum Filters
- 150 mm Air Outlet
- Double Chimney
- Noise Level: min 44dBmax 64dB
- DIN EN 61591 min 225m³/h-max 700m³/h
- Energy Class: C
- Free Flow Extraction Power: 850 m³/h-200 Watt
- Package Dimensions (WxDxH): 65X43X62

> OPTIONAL FEATURES

- 9 Speed
- A+ Class Energy
- Carbon Filter Set
- 90 cm Width
- 700m³/h-210 Watt + A class energy
- 750m³/h-210 Watt + B class energy



INCLINED HOODS





T-TYPE HOODS



LD96

Black Glass Panel & Inox



60-90
CM



LED
LIGHT



BOOSTER
LEVELS

> MAIN FEATURES

- 60 cm Wall-type Chimney Hood
- Touch Control with Display
- 3 Speed
- 2x2 W LED Spots
- Cassette Type Dishwasher Safe Aluminum Filters
- 150 mm Air Outlet
- Double Chimney
- Filter Saturation Indicator
- Auto Shut Down Timer
- Noise Level: min 44dBmax 64dB
- DIN EN 61591 min 210m³/h-max 455m³/h
- Energy Class: D
- Free Flow Extraction Power: 550 m³/h-140 Watt
- Package Dimensions (WxDxH): 65x43x62

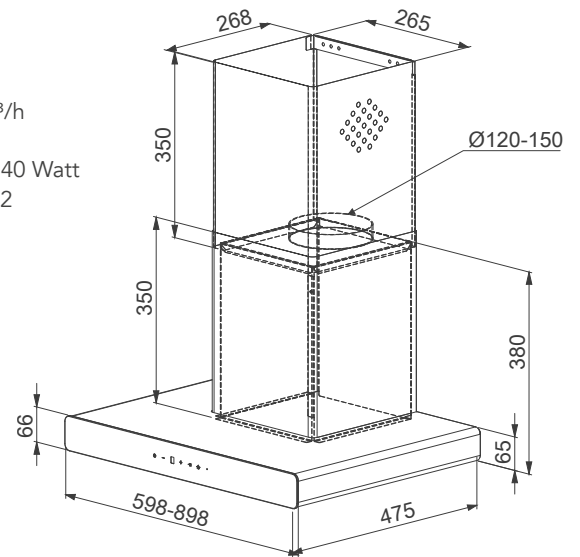
> OPTIONAL FEATURES

- Carbon Filter Set
- A+ Class Energy
- 90 cm Width
- Remote Control
- Baffle Filter
- 700m³/h-210 Watt + A class energy
- 750m³/h-210 Watt + B class energy
- 850 m³/h-200 Watt+5 Speed Motor+C class energy

> COLOR OPTIONS



Black Inox White





LD96B-90

Black Glass Panel & Black



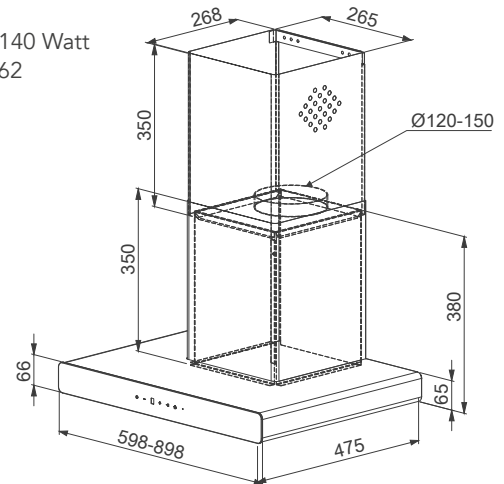
> MAIN FEATURES

- 90 cm Wall-type Chimney Hood
- Touch Control with Display
- 3 Speed
- 2x2 W LED Spots
- Baffle Filter
- 150 mm Air Outlet
- Double Chimney
- Filter Saturation Indicator
- Auto Shut Down Timer
- Noise Level: min 44dBmax 64dB
- DIN EN 61591 min 210m³/h-max 455m³/h
- Energy Class: D
- Free Flow Extraction Power: 550 m³/h-140 Watt
- Package Dimensions (WxDxH): 95x43x62

> OPTIONAL FEATURES

- Carbon Filter Set
- A+ Class Energy
- 60 cm Width
- Remote Control
- Cassette Type Dishwasher Safe Aluminum Filters
- 700m³/h-210 Watt + A class energy
- 750m³/h-210 Watt + B class energy
- 850 m³/h-200 Watt+5 Speed Motor+C class energy

> COLOR OPTIONS



T-TYPE HOODS





LD96PB

Black Glass Panel & Inox



60-90
CM



LED
LIGHT



BOOSTER
LEVELS

> MAIN FEATURES

- 60 cm Wall-type Chimney Hood
- Push-Button Control
- 3 Speed
- 2x2 W LED Spots
- Cassette Type Dishwasher Safe Aluminum Filters
- 150 mm Air Outlet
- Double Chimney
- Noise Level: min 44dBmax 64dB
- DIN EN 61591 min 210m³/h-max 455m³/h
- Energy Class: D
- Free Flow Extraction Power: 550 m³/h-140 Watt
- Package Dimensions (WxDxH): 65x43x62 cm

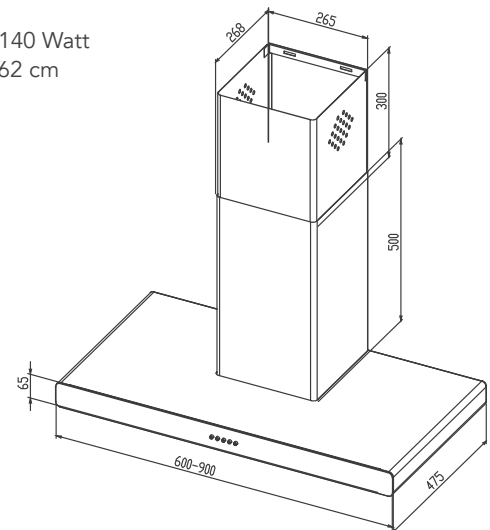
> OPTIONAL FEATURES

- Carbon Filter Set
- A+ Class Energy
- 90 cm Width
- Remote Control
- Baffle Filter
- 700m³/h-210 Watt + A class energy
- 750m³/h-210 Watt + B class energy
- 850 m³/h-200 Watt+5 Speed Motor+C class energy

> COLOR OPTIONS



Black Inox White





LD35

Inox



60-90
CM



LED
LIGHT



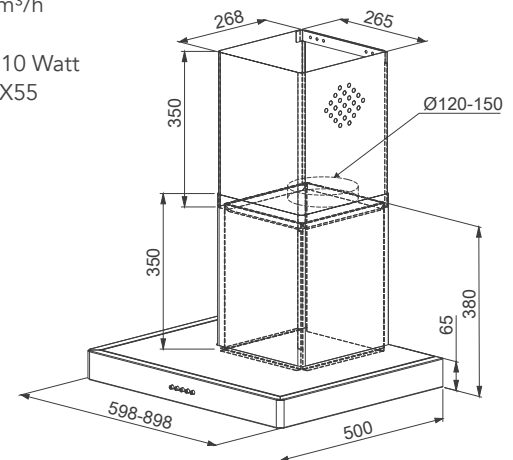
BOOSTER
LEVELS

> MAIN FEATURES

- 60 cm Wall-type Chimney Hood
- Push Button Control
- 3 Speed
- 1x5 W LED Lamp
- Cassette Type Dishwasher Safe Aluminum Filters
- 120 mm Air Outlet
- Double Chimney
- Noise Level: min 55dBmax 61dB
- DIN EN 61591 min 125m³/h-max 280m³/h
- Energy Class: D
- Free Flow Extraction Power: 400m³/h-110 Watt
- Package Dimensions (WxDxH): 65X32X55

> OPTIONAL FEATURES

- Carbon Filter Set
- A+ Class Energy
- 90 cm Width
- 2x1 Watt Mini LED Spots
- 550 m³/h-140 Watt+D class energy
- 700m³/h-210 Watt + A class energy
- 750m³/h-210 Watt + B class energy
- 850 m³/h-200 Watt+C class energy





LD23

Inox

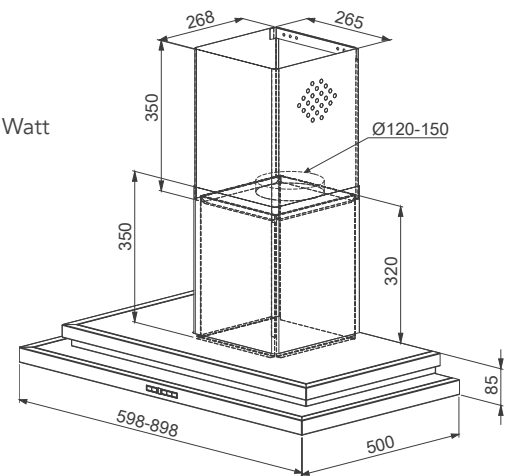


> MAIN FEATURES

- 60 cm Wall-type Chimney Hood
- Soft Touch Control
- 3 Speed
- 2x2 Watt LED Spots
- Cassette Type Dishwasher Safe Aluminum Filters
- 150 mm Air Outlet
- Double Chimney
- Auto Timer Shut Down
- Filter Saturation Indicator
- Noise Level: min 44dBmax 64dB
- DIN EN 61591 min 210m³/h-max 455m³/h
- Energy Class: D
- Free Flow Extraction Power: 550 m³/h-140 Watt
- Package Dimensions (WxDxH): 68X57X58

> OPTIONAL FEATURES

- Carbon Filter Set
- A+ Class Energy
- 90 cm Width
- Baffle Filter
- 700m³/h-210 Watt + A class energy
- 750m³/h-210 Watt + B class energy
- 850 m³/h-200 Watt + 5 Speed Motor+C class energy





LD36

Inox & Glass Panel



60-90
CM



LED
LIGHT



TIMER
SHUT-DOWN



FILTER
SATURATION
INDICATOR



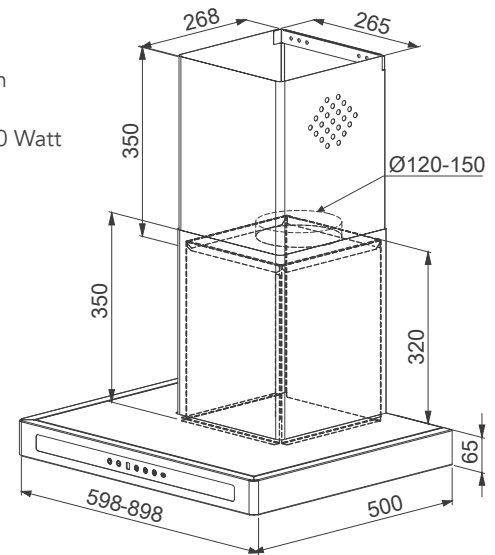
BOOSTER
LEVELS

> MAIN FEATURES

- 60 cm Wall-type Chimney Hood
- Touch Control with Display
- 3 Speed
- 2x2 Watt LED Spots
- Cassette Type Dishwasher Safe Aluminum Filters
- 150 mm Air Outlet
- Double Chimney
- Filter Saturation Indicator
- Auto Shut Down Timer
- Noise Level: min 44dBmax 64dB
- DIN EN 61591 min 210m³/h-max 455m³/h
- Energy Class: D
- Free Flow Extraction Power: 550 m³/h-140 Watt
- Package Dimensions (WxDxH): 65X43X62

> OPTIONAL FEATURES

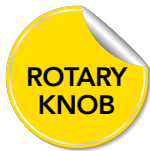
- Carbon Filter Set
- A+ Class Energy
- 90 cm Width
- Baffle Filter
- Remote Control
- 700m³/h-210 Watt + A class energy
- 750m³/h-210 Watt + B class energy
- 850 m³/h-200 Watt+5 Speed+C class energy





LD88

Inox

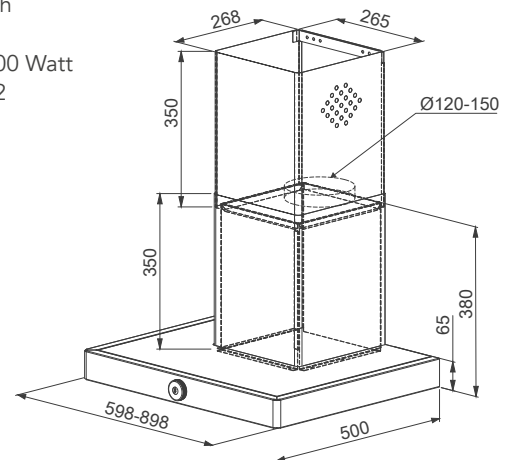


> MAIN FEATURES

- 60 cm Wall-type Chimney Hood
- Rotary Knob Control with Display
- 5 Speed
- 2x2 Watt LED Spots
- Cassette Type Dishwasher Safe Aluminum Filters
- 150 mm Air Outlet
- Double Chimney
- Noise Level: min 44dBmax 64dB
- DIN EN 61591 min 225m³/h-max 700m³/h
- Energy Class: C
- Free Flow Extraction Power: 850 m³/h-200 Watt
- Package Dimensions (WxDxH): 65X43X62

> OPTIONAL FEATURES

- Carbon Filter Set
- A+ Class Energy
- 90 cm Width
- Baffle Filter
- 700m³/h-210 Watt + A class energy
- 750m³/h-210 Watt + B class energy





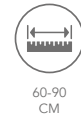


T-GLASS HOODS



LD21

Inox & Flat Glass



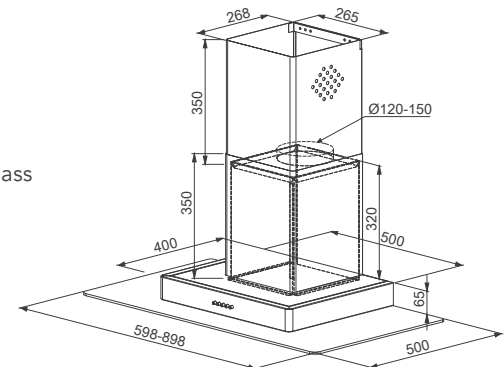
> MAIN FEATURES

- 60 cm Wall-type Chimney Hood
- Soft Touch Control
- 3 Speed
- 2x2 Watt LED Spots
- Cassette Type Dishwasher Safe Aluminum Filters
- 150 mm Air Outlet
- Double Chimney
- Filter Saturation Indicator
- Auto Shut Down Timer
- Noise Level: min 44dBmax 64dB
- DIN EN 61591 min 210m³/h-max 455m³/h
- Energy Class: D
- Free Flow Extraction Power: 550 m³/h-140 Watt
- Package Dimensions (WxDxH): 65X43X62

> OPTIONAL FEATURES

- Carbon Filter Set
- A+ Class Energy
- 90 cm Width
- 700m³/h-210 Watt + A class energy
- 750m³/h-210 Watt + B class energy
- 850 m³/h-200 Watt+5 Speed+C class energy

> COLOR OPTIONS





T-GLASS HOODS

LD22

Inox & Curved Glass



FILTER SATURATION INDICATOR



TIMER SHUT-DOWN



60-90 CM



LED LIGHT



BOOSTER LEVELS

> MAIN FEATURES

- 60 cm Wall-type Chimney Hood
- Soft Touch Control
- 3 Speed
- 2x2 Watt LED Spots
- Cassette Type Dishwasher Safe Aluminum Filters
- 150 mm Air Outlet
- Double Chimney
- Filter Saturation Indicator
- Auto Shut Down Timer
- Noise Level: min 44dBmax 64dB
- DIN EN 61591 min 210m³/h-max 455m³/h
- Energy Class: D
- Free Flow Extraction Power: 550 m³/h-140 Watt
- Package Dimensions (WxDxH): 65X43X62

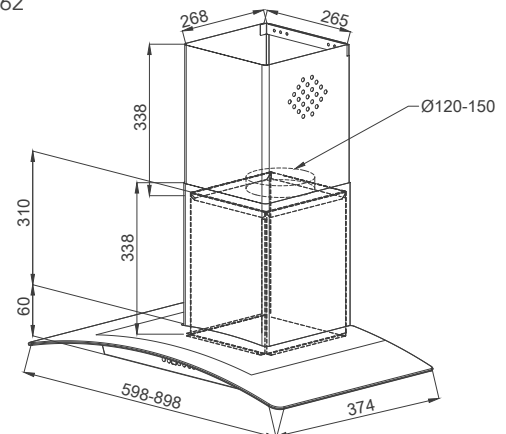
> OPTIONAL FEATURES

- Carbon Filter Set
- A+ Class Energy
- 90 cm Width
- 700m³/h-210 Watt + A class energy
- 750m³/h-210 Watt + B class energy
- 850 m³/h-200 Watt+5 Speed+C class energy

> COLOR OPTIONS



Inox Black White





LD22 ECO

Inox & Curved Glass



60-90
CM



LED
LIGHT



3
BOOSTER
LEVELS

> MAIN FEATURES

- 60 cm Wall-type Chimney Hood
- Push Button Control
- 3 Speed
- 1x5 W LED Lamp
- Cassette Type Dishwasher Safe Aluminum Filters
- 120 mm Air Outlet
- Double Chimney
- Noise Level: min 55dBmax 61dB
- DIN EN 61591 min 125m³/h-max 280m³/h
- Energy Class: D
- Free Flow Extraction Power: 400m³/-110 Watt
- Package Dimensions (WxDxH): 65X32X55

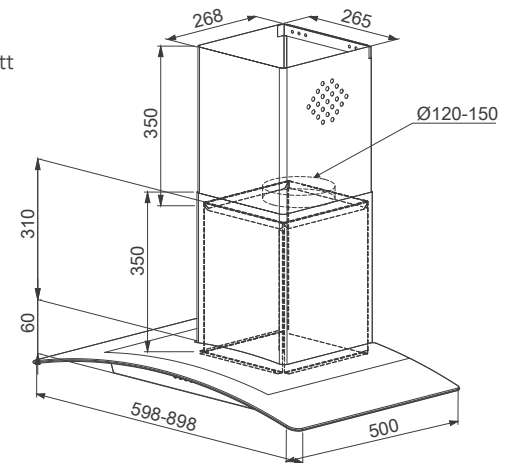
> OPTIONAL FEATURES

- 90 cm Width
- A+ Class Energy
- Carbon Filter Set
- Fume Black Curve Glass

> COLOR OPTIONS



Inox Black White





LD22 ECO-90

Inox & Curved Glass



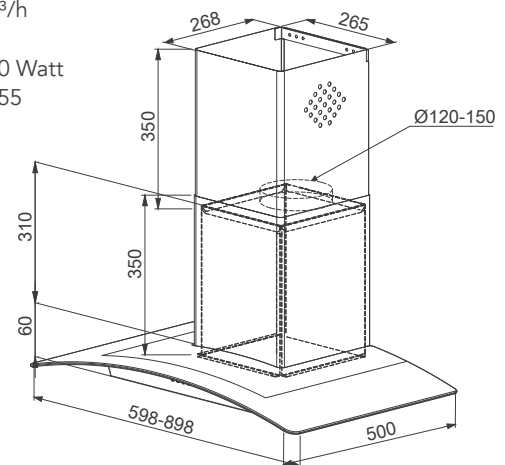
> MAIN FEATURES

- 90 cm Wall-type Chimney Hood
- Push Button Control
- 3 Speed
- 1x5 W LED Lamp
- Cassette Type Dishwasher Safe Aluminum Filters
- 120 mm Air Outlet
- Double Chimney
- Noise Level: min 55dBmax 61dB
- DIN EN 61591 min 125m³/h-max 280m³/h
- Energy Class: D
- Free Flow Extraction Power: 400m³/-110 Watt
- Package Dimensions (WxDxH): 95X32X55

> OPTIONAL FEATURES

- 60 cm Width
- A+ Class Energy
- Carbon Filter Set
- Fume Black Curve Glass

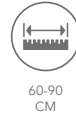
> COLOR OPTIONS





LD22-03B TOUCH

Inox & Black + Fume Glass



60-90
CM



LED
LIGHT



BOOSTER
LEVELS

> MAIN FEATURES

- 60 cm Wall-type Chimney Hood
- Touch Control
- 3 Speed
- 2x1 Watt Mini Led Spot
- Cassette Type Dishwasher Safe Aluminum Filters
- 150 mm Air Outlet
- Double Chimney
- Auto Shut Down Timer
- Noise Level: min 44dBmax 64dB
- DIN EN 61591 min 210m³/h-max 455m³/h
- Energy Class: D
- Free Flow Extraction Power: 550 m³/h-140 Watt
- Package Dimensions (WxDxH): 65X43X62

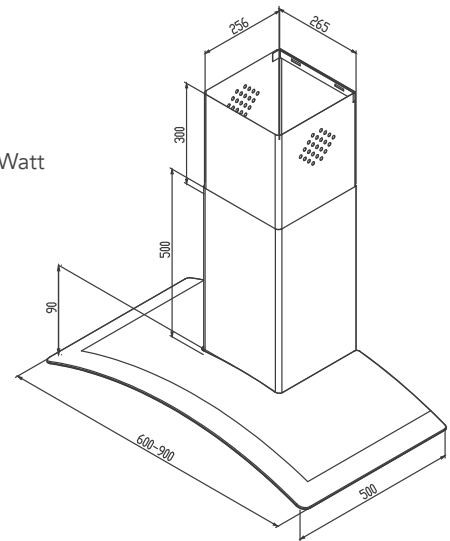
> OPTIONAL FEATURES

- Carbon Filter Set
- 90 cm Width
- A+ Class Energy
- Remote Control
- 400 m³/h-110 Watt+D class energy
- 700m³/h-210 Watt + A class energy
- 750m³/h-210 Watt + B class energy
- 850 m³/h-200 Watt+C class energy

> COLOR OPTIONS



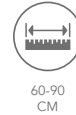
Inox Black White





LD22-03W TOUCH

Inox & White Glass



60-90
CM



LED
LIGHT



BOOSTER
LEVELS

> MAIN FEATURES

- 60 cm Wall-type Chimney Hood
- Touch Control
- 3 Speed
- 2x1 Watt Mini Led Spot
- Cassette Type Dishwasher Safe Aluminum Filters
- 150 mm Air Outlet
- Double Chimney
- Auto Shut Down Timer
- Noise Level: min 44dBmax 64dB
- DIN EN 61591 min 210m³/h-max 455m³/h
- Energy Class: D
- Free Flow Extraction Power: 550 m³/h-140 Watt
- Package Dimensions (WxDxH): 65X43X62

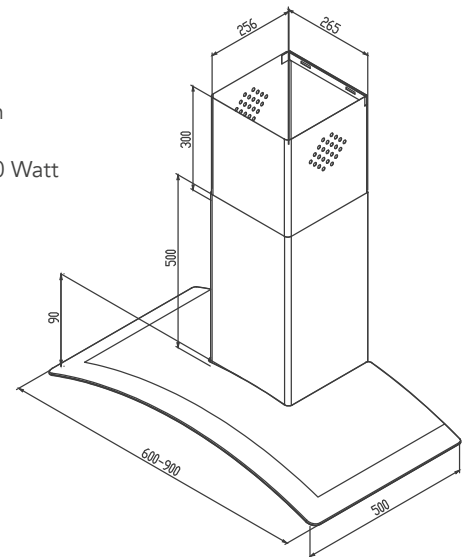
> OPTIONAL FEATURES

- Carbon Filter Set
- 90 cm Width
- A+ Class Energy
- Remote Control
- 400 m³/h-110 Watt+D class energy
- 700m³/h-210 Watt + A class energy
- 750m³/h-210 Watt + B class energy
- 850 m³/h-200 Watt+C class energy

> COLOR OPTIONS



Inox Black White







RUSTIC HOODS



SD61 BW

Beige & Neutral Wood Frames



60-90
CM



LED
LIGHT



BOOSTER
LEVELS

> MAIN FEATURES

- 60 cm Wall-type Chimney Hood
- Rustic Push Button Control
- 3 Speed
- 1x5 Watt LED Lamp
- Cassette Type Dishwasher Safe Aluminum Filter
- 120 mm Air Outlet
- Double Chimney
- Noise Level: min 55dBmax 61dB
- DIN EN 61591 min 125m³/h-max 280m³/h
- Energy Class: D
- Free Flow Extraction Power: 400m³/h-110 Watt
- Package Dimensions (WxDxH): 62X59X57

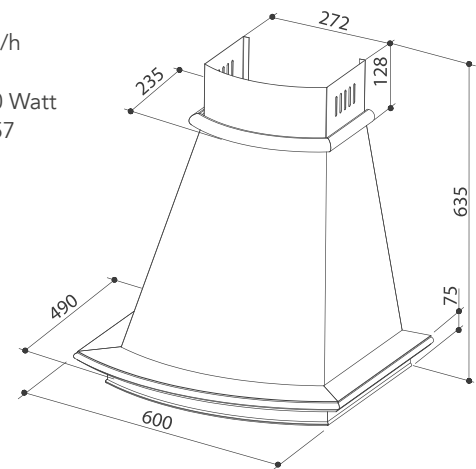
> OPTIONAL FEATURES

- Carbon Filter Set
- 90 cm Width
- A+ Class Energy
- 2x5 Watt Led Lamps
- 550 m³/h-140 Watt+D class energy
- 700m³/h-210 Watt + A class energy
- 750m³/h-210 Watt + B class energy
- 850 m³/h-200 Watt+C class energy

> COLOR OPTIONS



Black White





SD61 SW

Black & Neutral Wood Frames



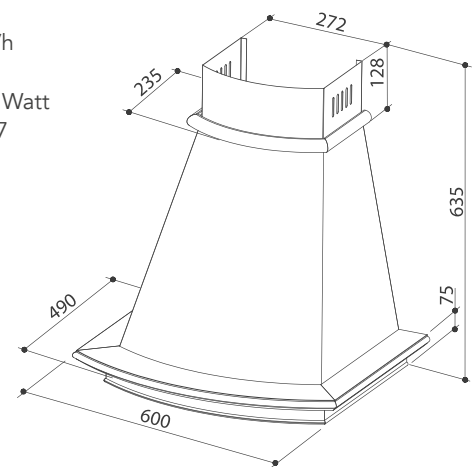
> MAIN FEATURES

- 60 cm Wall-type Chimney Hood
- Rustic Push Button Control
- 3 Speed
- 1x5 Watt LED Lamp
- Cassette Type Dishwasher Safe Aluminum Filter
- 120 mm Air Outlet
- Double Chimney
- Noise Level: min 55dBmax 61dB
- DIN EN 61591 min 125m³/h-max 280m³/h
- Energy Class: D
- Free Flow Extraction Power: 400m³/h-110 Watt
- Package Dimensions (WxDxH): 62X59X57

> OPTIONAL FEATURES

- Carbon Filter Set
- 90 cm Width
- A+ Class Energy
- 2x5 Watt Led Lamps
- 550 m³/h-140 Watt+D class energy
- 700m³/h-210 Watt + A class energy
- 750m³/h-210 Watt + B class energy
- 850 m³/h-200 Watt+C class energy

> COLOR OPTIONS





SD64

Beige & Aluminium Frame



60-90
CM



LED
LIGHT



BOOSTER
LEVELS

> MAIN FEATURES

- 60 cm Wall-type Chimney Hood
- Rustic Push Button Control
- 3 Speed
- 1x5 Watt LED Lamp
- Cassette Type Dishwasher Safe Aluminum Filter
- 120 mm Air Outlet
- Double Chimney
- Noise Level: min 55dBmax 61dB
- DIN EN 61591 min 125m³/h-max 280m³/h
- Energy Class: D
- Free Flow Extraction Power: 400m³/h-110 Watt
- Package Dimensions (WxDxH): 65X32X55

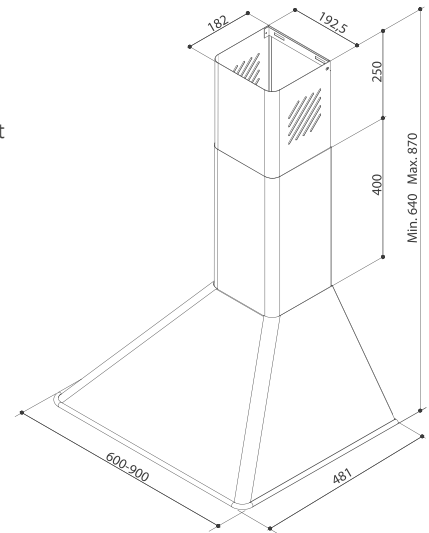
> OPTIONAL FEATURES

- Carbon Filter Set
- 90 cm Width
- A+ Class Energy
- 2x5 Watt Led Lamps
- 550 m³/h-140 Watt+D class energy
- 700m³/h-210 Watt + A class energy
- 750m³/h-210 Watt + B class energy
- 850 m³/h-200 Watt+C class energy

> COLOR OPTIONS



Black White





SD64B

Black & Aluminum Frame



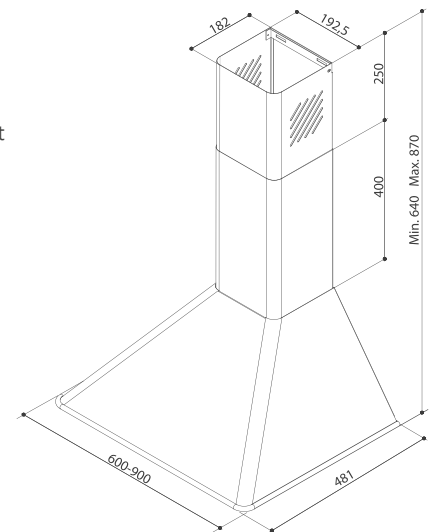
> MAIN FEATURES

- 60 cm Wall-type Chimney Hood
- Rustic Push Button Control
- 3 Speed
- 1x5 Watt LED Lamp
- Cassette Type Dishwasher Safe Aluminum Filter
- 120 mm Air Outlet
- Double Chimney
- Noise Level: min 55dBmax 61dB
- DIN EN 61591 min 125m³/h-max 280m³/h
- Energy Class: D
- Free Flow Extraction Power: 400m³/-110 Watt
- Package Dimensions (WxDxH): 65X32X55

> OPTIONAL FEATURES

- Carbon Filter Set
- 90 cm Width
- A+ Class Energy
- 2x5 Watt Led Lamps
- 550 m³/h-140 Watt+D class energy
- 700m³/h-210 Watt + A class energy
- 750m³/h-210 Watt + B class energy
- 850 m³/h-200 Watt+C class energy

> COLOR OPTIONS





SD56 BGR

Beige & Rustic Handle



60-90
CM



LED
LIGHT



BOOSTER
LEVELS

> MAIN FEATURES

- 60 cm Wall-type Chimney Hood
- Rustic Push Button Control
- 3 Speed
- 1x5 Watt LED Lamp
- Cassette Type Dishwasher Safe Aluminum Filters
- 120 mm Air Outlet
- Double Chimney
- Rustic Handle
- Noise Level: min 55dBmax 61dB
- DIN EN 61591 min 125m³/h-max 280m³/h
- Energy Class: D
- Free Flow Extraction Power: 400m³/-110 Watt
- Package Dimensions (WxDxH): 65X31X51

> OPTIONAL FEATURES

- 90 cm Width
- Carbon Filter Set

> COLOR OPTIONS

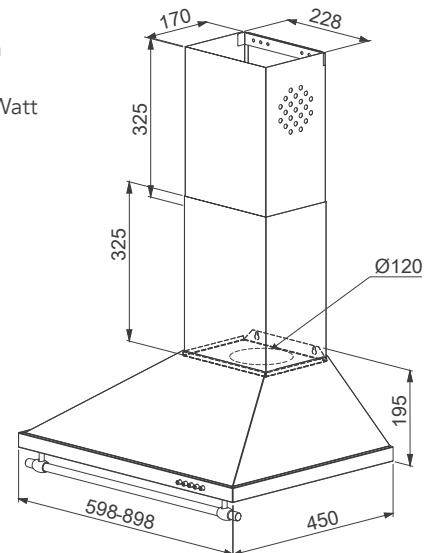


Black Beige White

> HANDLE OPTIONS



Gold Bronze Silver





SD56 BLR

Black & Rustic Handle



> MAIN FEATURES

- 60 cm Wall-type Chimney Hood
- Rustic Push Button Control
- 3 Speed
- 1x5 Watt LED Lamp
- Cassette Type Dishwasher Safe Aluminum Filters
- 120 mm Air Outlet
- Double Chimney
- Rustic Handle
- Noise Level: min 55dBmax 61dB
- DIN EN 61591 min 125m³/h-max 280m³/h
- Energy Class: D
- Free Flow Extraction Power: 400m³/-110 Watt
- Package Dimensions (WxDxH): 65X31X51

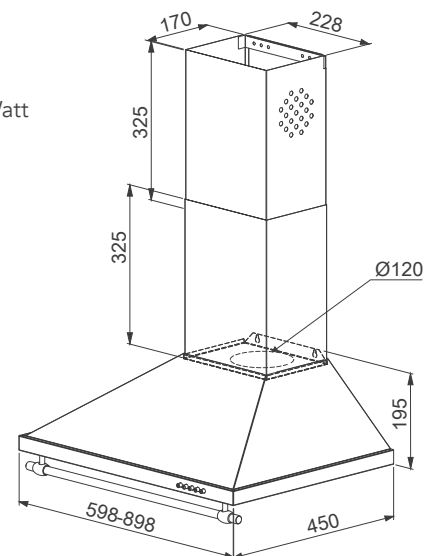
> OPTIONAL FEATURES

- 90 cm Width
- Carbon Filter Set

> COLOR OPTIONS



> HANDLE OPTIONS





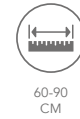


PYRAMID HOODS



SD59B

Black



60-90
CM



LED
LIGHT



TIMER
SHUT-DOWN



FILTER
SATURATION
INDICATOR



BOOSTER
LEVELS

> MAIN FEATURES

- 60 cm Wall-type Chimney Hood
- Soft Touch Control
- 3 Speed
- 1x5 Watt LED Lamp
- Cassette Type Dishwasher Safe Aluminum Filters
- 150 mm Air Outlet
- Double Chimney

- Filter Saturation Indicator
- Auto Shut Down Timer
- Noise Level: min 44dBmax 64dB
- DIN EN 61591 min 210m³/h-max 455m³/h
- Energy Class: D
- Free Flow Extraction Power: 550 m³/h-140 Watt
- Package Dimensions (WxDxH): 65X31X51

> OPTIONAL FEATURES

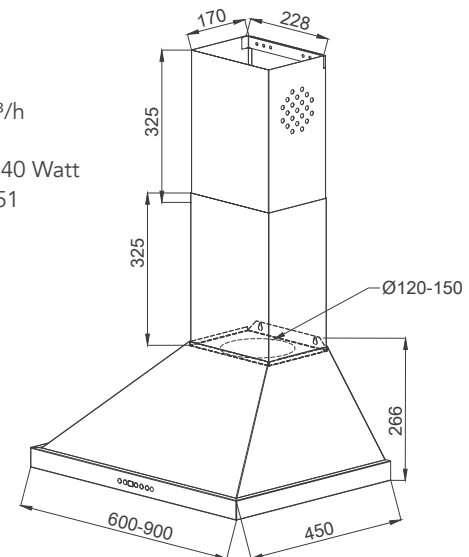
- Carbon Filter Set
- 90 cm Width
- A+ Class Energy
- 5 Speed
- 2x5 Watt Led Lamps

- 2x2 Watt Led Spots
- 400 m³/h-110 Watt+D class energy
- 700m³/h-210 Watt + A class energy
- 750m³/h-210 Watt + B class energy
- 850 m³/h-200 Watt+C class energy

> COLOR OPTIONS



Black Gray Brown White





SD54

Inox



60-90
CM



LED
LIGHT



BOOSTER
LEVELS

> MAIN FEATURES

- 60 cm Wall-type Chimney Hood
- Push Button Control
- 3 Speed
- 1x5 Watt LED Lamp
- Cassette Type Dishwasher Safe Aluminum Filters
- 150 mm Air Outlet
- Double Chimney
- Noise Level: min 55dBmax 61dB
- DIN EN 61591 min 125m³/h-max 280m³/h
- Energy Class: D
- Free Flow Extraction Power: 400m³/h-110 Watt
- Package Dimensions (WxDxH): 65X31X51

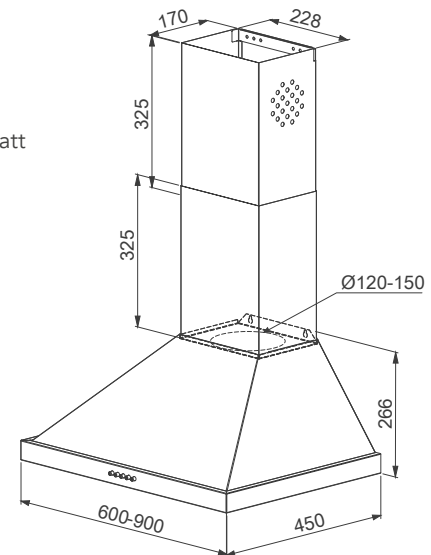
> OPTIONAL FEATURES

- Carbon Filter Set
- 90 cm Width
- A+ Class Energy
- 2x5 Watt Led Lamps
- Rustic Push Button
- Rustic Handle
- 550 m³/h-140 Watt+D class energy
- 700m³/h-210 Watt + A class energy
- 750m³/h-210 Watt + B class energy
- 850 m³/h-200 Watt+ C class energy

> COLOR OPTIONS



Black Gray Brown White







SD54R-120

Red & Inox



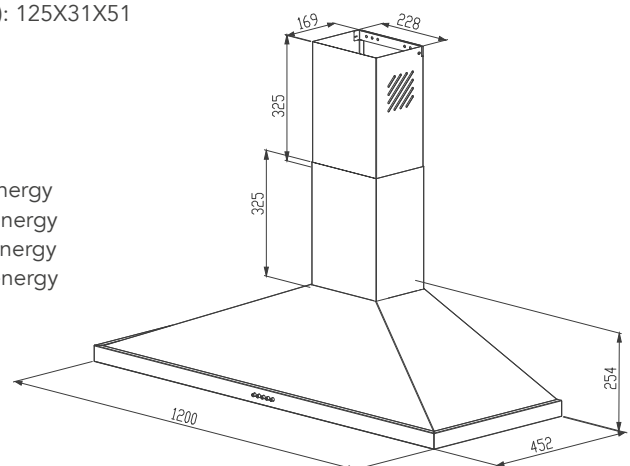
> MAIN FEATURES

- 120 cm Wall-type Chimney Hood
- Push Button Control
- 3 Speed
- 3x2 Watt LED Spot Lamps
- Cassette Type Dishwasher Safe Aluminum Filters
- 150 mm Air Outlet
- Double Chimney
- Noise Level: min 55dBmax 61dB
- DIN EN 61591 min 125m³/h-max 280m³/h
- Energy Class: D
- Free Flow Extraction Power: 400m³/h-110 Watt
- Package Dimensions (WxDxH): 125X31X51

> OPTIONAL FEATURES

- Carbon Filter Set
- 90 cm Width
- A+ Class Energy
- 2x5 Watt Led Lamps
- Rustic Push Button
- Rustic Handle
- 550 m³/h-140 Watt+D class energy
- 700m³/h-210 Watt + A class energy
- 750m³/h-210 Watt + B class energy
- 850 m³/h-200 Watt+ C class energy

> COLOR OPTIONS





SD56

Inox



60-90
CM



LED
LIGHT



BOOSTER
LEVELS

> MAIN FEATURES

- 60 cm Wall-type Chimney Hood
- Push Button Control
- 3 Speed
- 1x5 Watt LED Lamp
- Cassette Type Dishwasher Safe Aluminum Filters
- 120 mm Air Outlet
- Double Chimney
- Noise Level: min 55dBmax 61dB
- DIN EN 61591 min 125m³/h-max 280m³/h
- Energy Class: D
- Free Flow Extraction Power: 400m³/-110 Watt
- Package Dimensions (WxDxH): 65X24,5X50

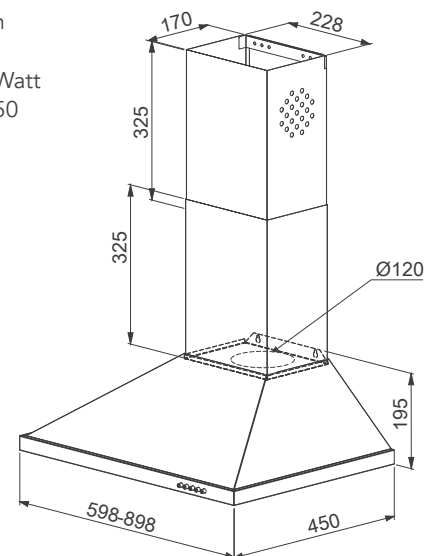
> OPTIONAL FEATURES

- Carbon Filter Set
- Rustic Push Button
- 90 cm Width
- Rustic Handle

> COLOR OPTIONS



Black Gray Beige White





SD56-90

Inox



60-90
CM



LED
LIGHT



BOOSTER
LEVELS

> MAIN FEATURES

- 90 cm Wall-type Chimney Hood
- Push Button Control
- 3 Speed
- 1x5 Watt LED Lamp
- Cassette Type Dishwasher Safe Aluminum Filters
- 120 mm Air Outlet
- Double Chimney
- Noise Level: min 55dBmax 61dB
- DIN EN 61591 min 125m³/h-max 280m³/h
- Energy Class: D
- Free Flow Extraction Power: 400m³/-110 Watt
- Package Dimensions (WxDxH): 95X24,5X50

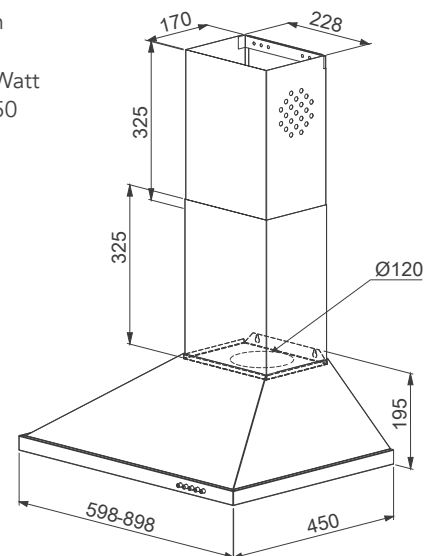
> OPTIONAL FEATURES

- Carbon Filter Set
- Rustic Push Button
- 90 cm Width
- Rustic Handle

> COLOR OPTIONS



Black Gray Beige White





SD56B

Black



60-90
CM



LED
LIGHT



BOOSTER
LEVELS

> MAIN FEATURES

- 60 cm Wall-type Chimney Hood
- Push Button Control
- 3 Speed
- 1x5 Watt LED Lamp
- Cassette Type Dishwasher Safe Aluminum Filters
- 120 mm Air Outlet
- Double Chimney
- Noise Level: min 55dBmax 61dB
- DIN EN 61591 min 125m³/h-max 280m³/h
- Energy Class: D
- Free Flow Extraction Power: 400m³/-110 Watt
- Package Dimensions (WxDxH): 65X24,5X50

> OPTIONAL FEATURES

- Carbon Filter Set
- Rustic Push Button
- 90 cm Width
- Rustic Handle

> COLOR OPTIONS

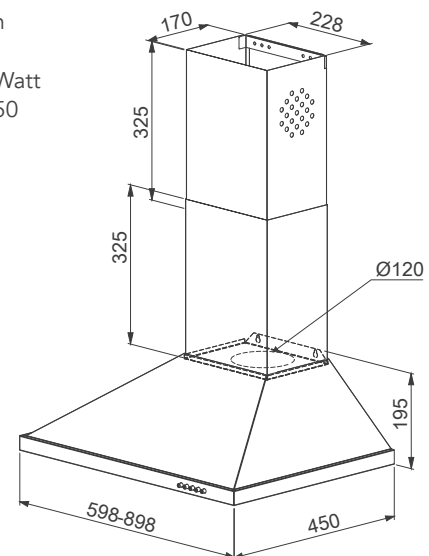


Black Gray Beige White

> HANDLE OPTIONS



Gold Bronze Silver





SD56 WH

White



60-90
CM



LED
LIGHT



BOOSTER
LEVELS

> MAIN FEATURES

- 60 cm Wall-type Chimney Hood
- Push Button Control
- 3 Speed
- 1x5 Watt LED Lamp
- Cassette Type Dishwasher Safe Aluminum Filters
- 120 mm Air Outlet

- Double Chimney
- Noise Level: min 55dBmax 61dB
- DIN EN 61591 min 125m³/h-max 280m³/h
- Energy Class: D
- Free Flow Extraction Power: 400m³/-110 Watt
- Package Dimensions (WxDxH): 65X24,5X50

> OPTIONAL FEATURES

- Carbon Filter Set
- 90 cm Width

- Rustic Push Button
- Rustic Handle

> COLOR OPTIONS

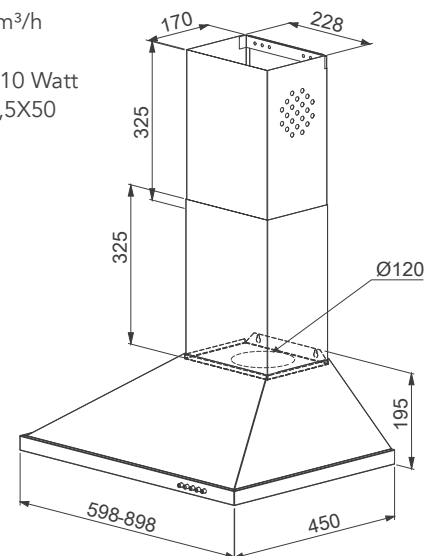


Black Gray Beige White

> HANDLE OPTIONS



Gold Bronze Silver







CORNER HOODS



LD33PB

Corner & Black

NEW



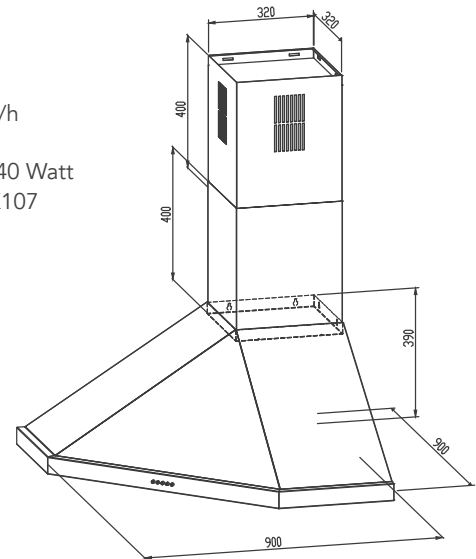
> MAIN FEATURES

- 90 cm Corner-Type Hood
- Soft Touch Control
- Filter Saturation Indicator
- Auto Shut Down Timer
- 3 Speed
- 3x2 W LED Spots
- Cassette Type Dishwasher Safe Aluminum Filters
- 150 mm Air Outlet
- Double Chimney
- Noise Level: min 44dBmax 64dB
- DIN EN 61591 min 210m³/h-max 455m³/h
- Energy Class: D
- Free Flow Extraction Power: 550 m³/h-140 Watt
- Package Dimensions (WxDxH): 107X44X107

> OPTIONAL FEATURES

- Carbon Filter Set
- A+ Class Energy
- 700m³/h-210 Watt + A class energy
- 750m³/h-210 Watt + B class energy
- 850 m³/h-200 Watt+C class energy

> COLOR OPTIONS










LD33

Corner & Inox



- 
60-90
CM
- 
LED
LIGHT
- 
TIMER
SHUT-DOWN
- 
FILTER
SATURATION
INDICATOR
- 
BOOSTER
LEVELS

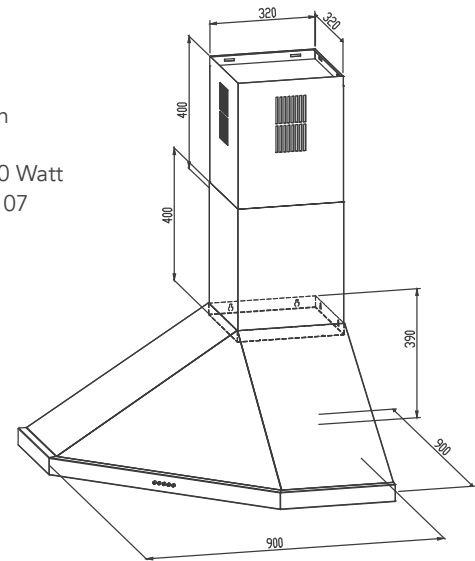
> MAIN FEATURES

- 90 cm Corner-type Hood
- Soft Touch Control
- 3 Speed
- 3x2 Watt LED Spots
- Cassette Type Dishwasher Safe Aluminum Filters
- 150 mm Air Outlet
- Double Chimney
- Filter Saturation Indicator
- Auto Shut Down Timer
- Noise Level: min 44dBmax 64dB
- DIN EN 61591 min 210m³/h-max 455m³/h
- Energy Class: D
- Free Flow Extraction Power: 550 m³/h-140 Watt
- Package Dimensions (WxDxH): 107X44X107

> OPTIONAL FEATURES

- Carbon Filter Set
- A+ Class Energy
- 700m³/h-210 Watt + A class energy
- 750m³/h-210 Watt + B class energy
- 850 m³/h-200 Watt+5 Speed+C class energy

> COLOR OPTIONS







ISLAND HOODS



LDI49

Island & Black Glass



DOUBLE SIDE
TOUCH
CONTROL



LED
LIGHT



TIMER
SHUT-DOWN



FILTER
SATURATION
INDICATOR



AUTOMATIC
OPEN



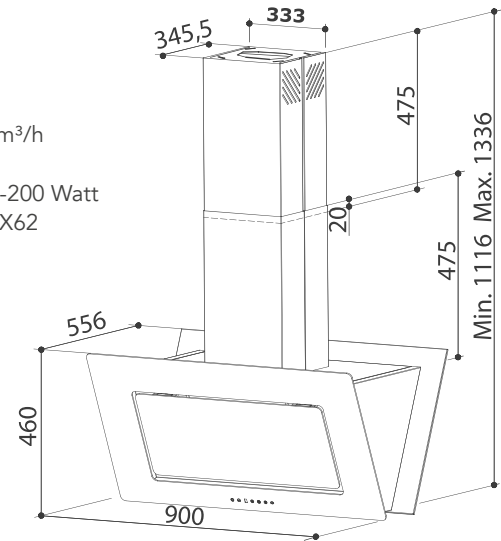
REMOTE
CONTROL

> MAIN FEATURES

- 90 cm Island-type Inclined Hood
- Double Side Touch Control with Display
- 5 Speed
- 3x2 Watt Black Led Spot
- Cassette Type Dishwasher Safe Aluminum Filters
- 150 mm Air Outlet
- Double Chimney
- Filter Saturation Indicator
- Auto Shut Down Timer
- Piston Hinge
- Noise Level: min 41dBmax 68dB
- DIN EN 61591 min 225m³/h-max 700m³/h
- Energy Class: C
- Free Flow Extraction Power: 850 m³/h-200 Watt
- Package Dimensions (WxDxH): 98X71X62

> OPTIONAL FEATURES

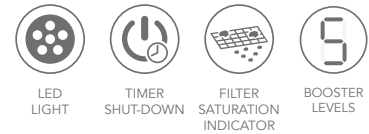
- Carbon Filter Set
- A+ Class Energy
- 700m³/h-210 Watt + A class energy
- 750m³/h-210 Watt + B class energy
- Remote Control





LDI35 GL

Island/Inox+Black

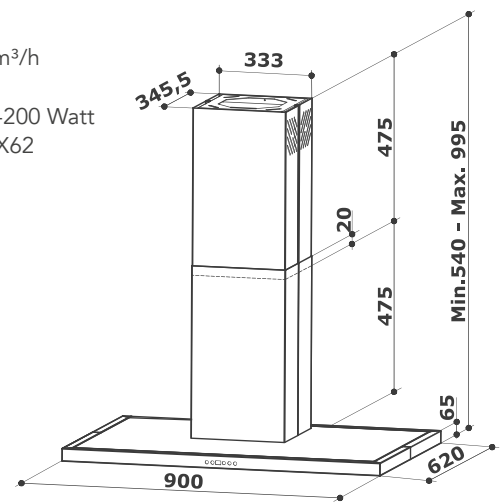


> MAIN FEATURES

- 90 cm Island-type Hood
- Double Side Soft Touch Control
- 5 Speed
- 4x2 Watt LED Spots
- Cassette Type Dishwasher Safe Aluminum Filters
- 150 mm Air Outlet
- Double Chimney
- Filter Saturation Indicator
- Auto Shut Down Timer
- Noise Level: min min 41dBmax 68dB
- DIN EN 61591 min 225m³/h-max 700m³/h
- Energy Class: C
- Free Flow Extraction Power: 850 m³/h-200 Watt
- Package Dimensions (WxDxH): 98X71X62

> OPTIONAL FEATURES

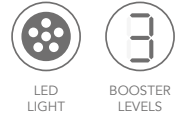
- Carbon Filter Set
- A+ Class Energy
- 700m³/h-210 Watt + A class energy
- 750m³/h-210 Watt + B class energy





LDI35

Island & Inox

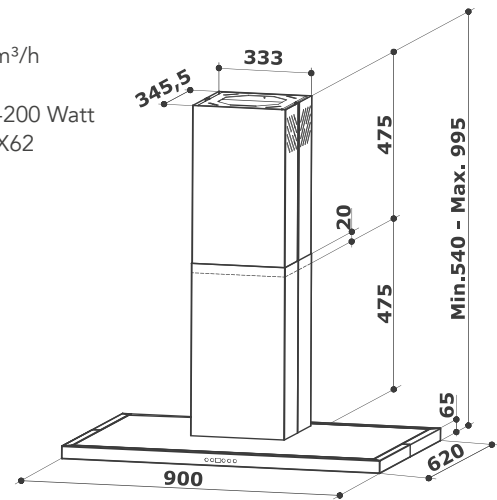
LED
LIGHTBOOSTER
LEVELS

> MAIN FEATURES

- 90 cm Island-type Hood
- Double Side Push Button Control
- 5 Speed
- 2x2 Watt LED Spots
- Cassette Type Dishwasher Safe Aluminum Filters
- 150 mm Air Outlet
- Double Chimney
- Noise Level: min min 41dBmax 68dB
- DIN EN 61591 min 225m³/h-max 700m³/h
- Energy Class: C
- Free Flow Extraction Power: 850 m³/h-200 Watt
- Package Dimensions (WxDxH): 98X71X62

> OPTIONAL FEATURES

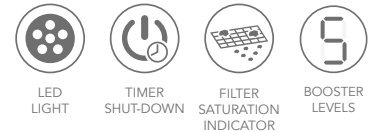
- Carbon Filter Set
- A+ Class Energy
- 700m³/h-210 Watt + A class energy
- 750m³/h-210 Watt + B class energy





LDI21

Island & Inox + Flat Glass

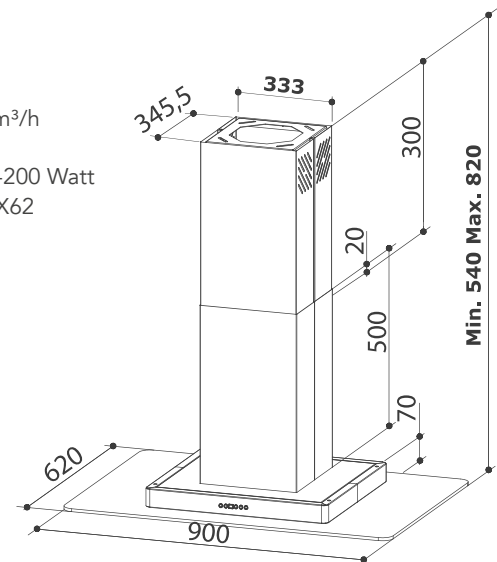


> MAIN FEATURES

- 90 cm Island-type Hood
- Double Side Soft Touch Control
- 5 Speed
- 2x2 Watt LED Spots
- Cassette Type Dishwasher Safe Aluminum Filters
- 150 mm Air Outlet
- Double Chimney
- Filter Saturation Indicator
- Auto Shut Down Timer
- Noise Level: min min 41dBmax 68dB
- DIN EN 61591 min 225m³/h-max 700m³/h
- Energy Class: C
- Free Flow Extraction Power: 850 m³/h-200 Watt
- Package Dimensions (WxDxH): 98X71X62

> OPTIONAL FEATURES

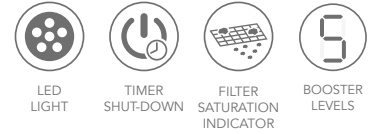
- Carbon Filter Set
- A+ Class Energy
- 700m³/h-210 Watt + A class energy
- 750m³/h-210 Watt + B class energy





LDI22

Island & Inox + Glass

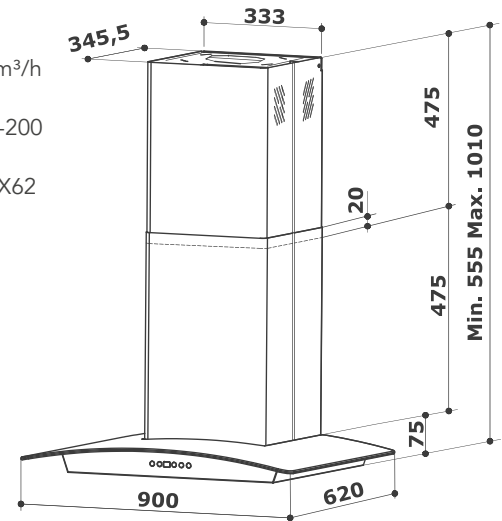


> MAIN FEATURES

- 90 cm Island-type Hood
- Double Side Soft Touch Control
- 5 Speed
- 2x2 Watt LED Spots
- Cassette Type Dishwasher Safe Aluminum Filters
- 150 mm Air Outlet
- Double Chimney
- Filter Saturation Indicator
- Auto Shut Down Timer
- Noise Level: min min 41dBmax 68dB
- DIN EN 61591 min 225m³/h-max 700m³/h
- Energy Class: C
- Free Flow Extraction Power: 850 m³/h-200 Watt
- Package Dimensions (WxDxH): 98X71X62

> OPTIONAL FEATURES

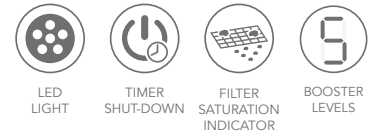
- Carbon Filter Set
- A+ Class Energy
- 700m³/h-210 Watt + A class energy
- 750m³/h-210 Watt + B class energy





LDI24

Island & Inox

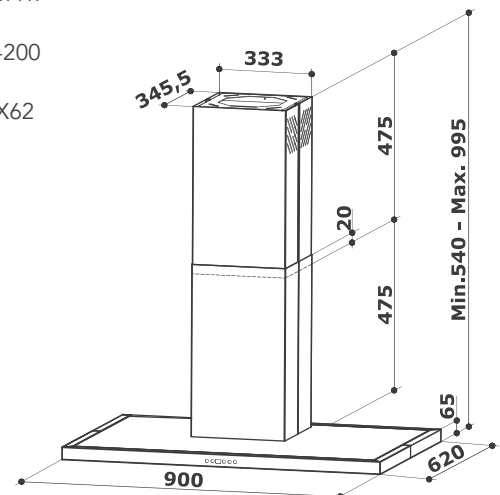


> MAIN FEATURES

- 90 cm Island-type Hood
- Double Side Soft Touch Control
- 5 Speed
- 2x2 Watt LED Spots
- Cassette Type Dishwasher Safe Aluminum Filters
- 150 mm Air Outlet
- Double Chimney
- Filter Saturation Indicator
- Auto Shut Down Timer
- Noise Level: min min 41dBmax 68dB
- DIN EN 61591 min 225m³/h-max 700m³/h
- Energy Class: C
- Free Flow Extraction Power: 850 m³/h-200 Watt
- Package Dimensions (WxDxH): 98X71X62

> OPTIONAL FEATURES

- Carbon Filter Set
- A+ Class Energy
- 700m³/h-210 Watt + A class energy
- 750m³/h-210 Watt + B class energy
- Baffle Filter





LDI23

Island & Inox



LED
LIGHT



TIMER
SHUT-DOWN



FILTER
SATURATION
INDICATOR



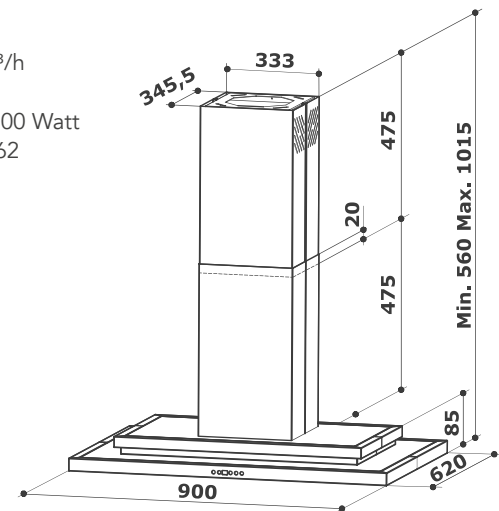
BOOSTER
LEVELS

> MAIN FEATURES

- 90 cm Island-type Hood
- Double Side Soft Touch Control
- 5 Speed
- 2x2 Watt LED Spots
- Cassette Type Dishwasher Safe Aluminum Filters
- 150 mm Air Outlet
- Double Chimney
- Filter Saturation Indicator
- Auto Shut Down Timer
- Noise Level: min min 41dBmax 68dB
- DIN EN 61591 min 225m³/h-max 700m³/h
- Energy Class: C
- Free Flow Extraction Power: 850 m³/h-200 Watt
- Package Dimensions (WxDxH): 98X71X62

> OPTIONAL FEATURES

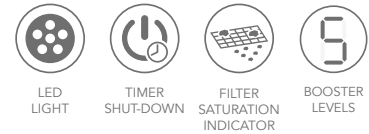
- Carbon Filter Set
- A+ Class Energy
- 700m³/h-210 Watt + A class energy
- Baffle Filter
- 750m³/h-210 Watt + B class energy





LDI36

Island & Inox

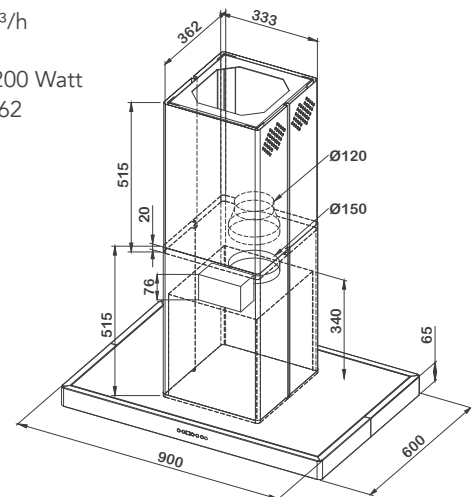


> MAIN FEATURES

- 90 cm Island-type Hood
- Double Side Touch Control with Display
- 5 Speed
- 4x2 Watt Black Led Spot
- Cassette Type Dishwasher Safe Aluminum Filters
- 150 mm Air Outlet
- Double Chimney
- Filter Saturation Indicator
- Auto Shut Down Timer
- Noise Level: min 41dBmax 68dB
- DIN EN 61591 min 225m³/h-max 700m³/h
- Energy Class: C
- Free Flow Extraction Power: 850 m³/h-200 Watt
- Package Dimensions (WxDxH): 98X71X62

> OPTIONAL FEATURES

- Carbon Filter Set
- Remote Control
- A+ Class Energy
- 700m³/h-210 Watt + A class energy
- 750m³/h-210 Watt + B class energy
- Baffle Filter





LDI96

Island & Black Glass

NEW



LED LIGHT



TIMER SHUT-DOWN



FILTER SATURATION INDICATOR



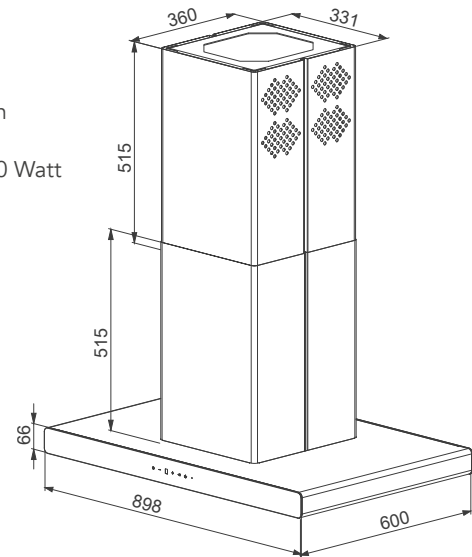
BOOSTER LEVELS

> MAIN FEATURES

- 90 cm Island-type Hood
- Double Side Touch Control with Display
- 5 Speed
- 4x2 Watt Black Led Spot
- Cassette Type Dishwasher Safe Aluminum Filters
- 150 mm Air Outlet
- Double Chimney
- Filter Saturation Indicator
- Auto Shut Down Timer
- Noise Level: min 41dBmax 68dB
- DIN EN 61591 min 225m³/h-max 700m³/h
- Energy Class: C
- Free Flow Extraction Power: 850 m³/h-200 Watt
- Package Dimensions (WxDxH): 98X71X62

> OPTIONAL FEATURES

- Carbon Filter Set
- Remote Control
- A+ Class Energy
- 700m³/h-210 Watt + A class energy
- 750m³/h-210 Watt + B class energy
- Baffle Filter





LDI40

Island & Cylinder



LED LIGHT



TIMER SHUT-DOWN



FILTER SATURATION INDICATOR



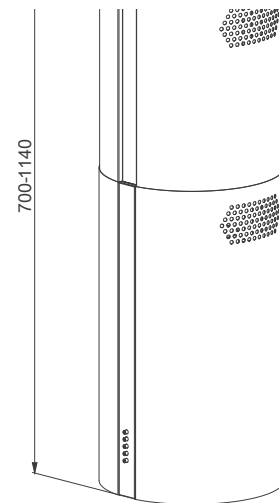
BOOSTER LEVELS

> MAIN FEATURES

- Ø40 cm Island-type Hood
- Double Side Touch Control with Display
- 5 Speed
- 2x2 Watt LED Spot
- Cassette Type Dishwasher Safe Aluminum Filters
- 150 mm Air Outlet
- Double Chimney
- Filter Saturation Indicator
- Auto Shut Down Timer
- Noise Level: min 41dBmax 68dB
- DIN EN 61591 min 225m³/h-max 700m³/h
- Energy Class: C
- Free Flow Extraction Power: 850 m³/h-200 Watt
- Package Dimensions (WxDxH): 98X71X62

> OPTIONAL FEATURES

- Carbon Filter Set
- A+ Class Energy
- 700m³/h-210 Watt + A class energy
- 750m³/h-210 Watt + B class energy
- Remote Control



ISLAND HOODS





BUILT-IN HOODS



GD82B

Black



> MAIN FEATURES

- 82 cm Built-in Chimney Hood
- Push Button Control
- 3 Speed
- 2x2 Watt LED Spots
- Cassette Type Dishwasher Safe Aluminum Filters
- Easy-fix Assembly System
- 150 mm Air Outlet
- Noise Level: min 44dBmax 64dB
- DIN EN 61591 min 210m³/h-max 455m³/h
- Energy Class: D
- Free Flow Extraction Power: 550 m³/h-140 Watt
- Package Dimensions (WxDxH): 86X32X34

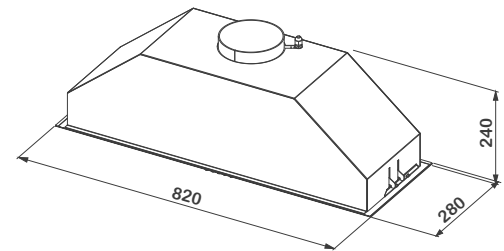
> OPTIONAL FEATURES

- Carbon Filter Set
- A+ Class Energy
- Screw Assembly System
- Rustic Push Button
- 52, 72 cm Width
- 400m³/h-110 Watt + D class energy
- 700m³/h-210 Watt + A class energy
- 750m³/h-210 Watt + B class energy
- 850 m³/h-200 Watt+C class energy

> COLOR OPTIONS



Black Grey Inox Beige White





GD82X

Inox



52-72
CM



LED
LIGHT



BOOSTER
LEVELS

> MAIN FEATURES

- 82 cm Built-in Chimney Hood
- Push Button Control
- 3 Speed
- 2x2 Watt LED Spots
- Cassette Type Dishwasher Safe Aluminum Filters
- Easy-fix Assembly System
- 150 mm Air Outlet
- Noise Level: min 44dBmax 64dB
- DIN EN 61591 min 210m³/h-max 455m³/h
- Energy Class: D
- Free Flow Extraction Power: 550 m³/h-140 Watt
- Package Dimensions (WxDxH): 86X32X34

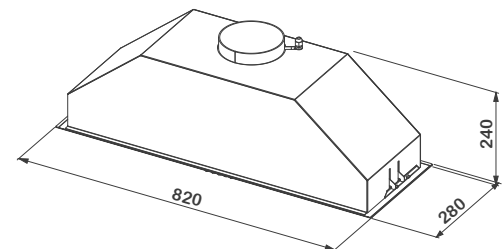
> OPTIONAL FEATURES

- Carbon Filter Set
- A+ Class Energy
- Screw Assembly System
- Rustic Push Button
- 52, 72 cm Width
- 400m³/h-110 Watt + D class energy
- 700m³/h-210 Watt + A class energy
- 750m³/h-210 Watt + B class energy
- 850 m³/h-200 Watt+C class energy

> COLOR OPTIONS



Black Grey Inox Beige White





GS72BG

Beige

NEW



52-72
CM



LED
LIGHT



BOOSTER
LEVELS

> MAIN FEATURES

- 72 cm Built-in Chimney Hood
- Push Button Control
- 3 Speed
- 2x1 Watt Mini LED Spots
- Cassette Type Dishwasher Safe Aluminum Filter
- Hidden Screw Assembly System
- 120 mm Air Outlet
- Noise Level: min 55dBmax 61dB
- DIN EN 61591 min 125m³/h-max 280m³/h
- Energy Class: D
- Free Flow Extraction Power: 400m³/-110 Watt
- Package Dimensions (WxDxH): 74,5X23,5X34,5

> OPTIONAL FEATURES

- Carbon Filter Set
- Rustic Push Button
- 52, 82 cm Width

> COLOR OPTIONS



Black Grey Inox Beige White



GD52X

Inox



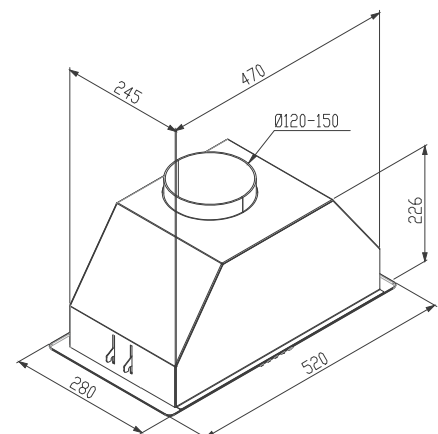
> MAIN FEATURES

- 52 cm Built-in Chimney Hood
- Push Button Control
- 3 Speed
- 2x2 Watt LED Spots
- Cassette Type Dishwasher Safe Aluminum Filter
- Easy-fix Assembly System
- 150 mm Air Outlet
- Noise Level: min 55dBmax 61dB
- DIN EN 61591 min 210m³/h-max 455m³/h
- Energy Class: D
- Free Flow Extraction Power: 550 m³/h-140 Watt
- Package Dimensions (WxDxH): 54,5X31X34,5

> OPTIONAL FEATURES

- Carbon Filter Set
- A+ Class Energy
- Screw Assembly System
- Rustic Push Button
- 72, 82 cm Width
- 700m³/h-210 Watt + A class energy
- 750m³/h-210 Watt + B class energy
- 850 m³/h-200 Watt+C class energy

> COLOR OPTIONS





GD52B

Black



52.72
CM



LED
LIGHT



BOOSTER
LEVELS

> MAIN FEATURES

- 52 cm Built-in Chimney Hood
- Push Button Control
- 3 Speed
- 2x2 Watt LED Spots
- Cassette Type Dishwasher Safe Aluminum Filter
- Easy-fix Assembly System
- 150 mm Air Outlet
- Noise Level: min 55dBmax 61dB
- DIN EN 61591 min 210m³/h-max 455m³/h
- Energy Class: D
- Free Flow Extraction Power: 550 m³/h-140 Watt
- Package Dimensions (WxDxH): 54,5X31X34,5

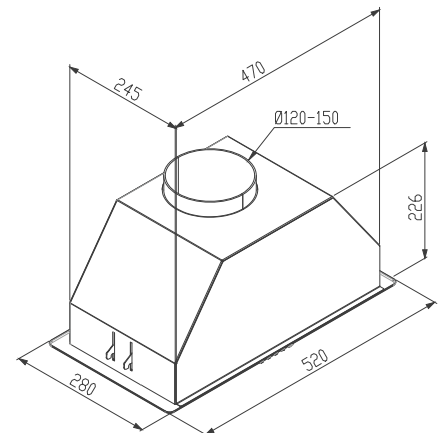
> OPTIONAL FEATURES

- Carbon Filter Set
- A+ Class Energy
- Screw Assembly System
- Rustic Push Button
- 72, 82 cm Width
- 700m³/h-210 Watt + A class energy
- 750m³/h-210 Watt + B class energy
- 850 m³/h-200 Watt+C class energy

> COLOR OPTIONS



Black Grey Inox Beige White





GD52W

White



72,82
CM



LED
LIGHT



BOOSTER
LEVELS

> MAIN FEATURES

- 52 cm Built-in Chimney Hood
- Push Button Control
- 3 Speed
- 2x2 Watt LED Spots
- Cassette Type Dishwasher Safe Aluminum Filter
- Easy-fix Assembly System
- 150 mm Air Outlet
- Noise Level: min 55dBmax 61dB
- DIN EN 61591 min 210m³/h-max 455m³/h
- Energy Class: D
- Free Flow Extraction Power: 550 m³/h-140 Watt
- Package Dimensions (WxDxH): 54,5X31X34,5

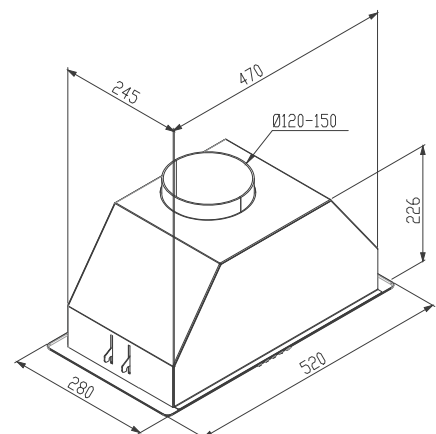
> OPTIONAL FEATURES

- Carbon Filter Set
- A+ Class Energy
- Screw Assembly System
- Rustic Push Button
- 72, 82 cm Width
- 700m³/h-210 Watt + A class energy
- 750m³/h-210 Watt + B class energy
- 850 m³/h-200 Watt+C class energy

> COLOR OPTIONS



Black Grey Inox Beige White





GD52 VR3 X

Inox



72-82
CM



LED
LIGHT



BOOSTER
LEVELS

> MAIN FEATURES

- 52 cm Built-in Chimney Hood
- Touch Control
- 3 Speed
- Auto Shut Down Timer
- 2x2 Watt LED Spots
- Cassette Type Dishwasher Safe Aluminum Filter
- Easy-fix Assembly System
- 150 mm Air Outlet
- Noise Level: min 55dBmax 61dB
- DIN EN 61591 min 210m³/h-max 455m³/h
- Energy Class: D
- Free Flow Extraction Power: 550 m³/h-140 Watt
- Package Dimensions (WxDxH): 54,5X31X34,5

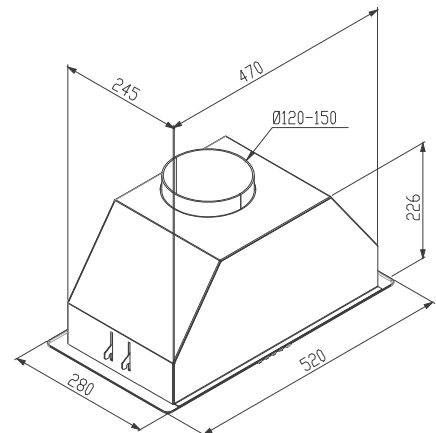
> OPTIONAL FEATURES

- Carbon Filter Set
- A+ Class Energy
- 700m³/h-210 Watt + A class energy
- 750m³/h-210 Watt + B class energy
- 850 m³/h-200 Watt+C class energy

> COLOR OPTIONS



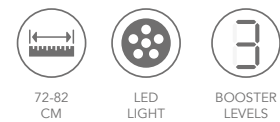
Black Grey Inox Beige White





GD52 VR3 W

White



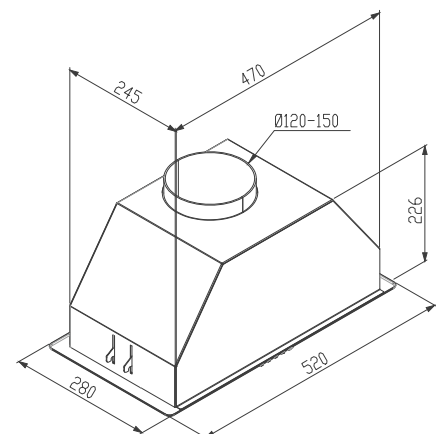
> MAIN FEATURES

- 52 cm Built-in Chimney Hood
- Touch Control
- 3 Speed
- Auto Shut Down Timer
- 2x2 Watt LED Spots
- Cassette Type Dishwasher Safe Aluminum Filter
- Easy-fix Assembly System
- 150 mm Air Outlet
- Noise Level: min 55dBmax 61dB
- DIN EN 61591 min 210m³/h-max 455m³/h
- Energy Class: D
- Free Flow Extraction Power: 550 m³/h-140 Watt
- Package Dimensions (WxDxH): 54,5X31X34,5

> OPTIONAL FEATURES

- Carbon Filter Set
- A+ Class Energy
- 700m³/h-210 Watt + A class energy
- 750m³/h-210 Watt + B class energy
- 850 m³/h-200 Watt+C class energy

> COLOR OPTIONS





GD52 VR3 B

Black



72-82
CM



LED
LIGHT



BOOSTER
LEVELS

> MAIN FEATURES

- 52 cm Built-in Chimney Hood
- Touch Control
- 3 Speed
- Auto Shut Down Timer
- 2x2 Watt LED Spots
- Cassette Type Dishwasher Safe Aluminum Filter
- Easy-fix Assembly System
- 150 mm Air Outlet
- Noise Level: min 55dBmax 61dB
- DIN EN 61591 min 210m³/h-max 455m³/h
- Energy Class: D
- Free Flow Extraction Power: 550 m³/h-140 Watt
- Package Dimensions (WxDxH): 54,5X31X34,5

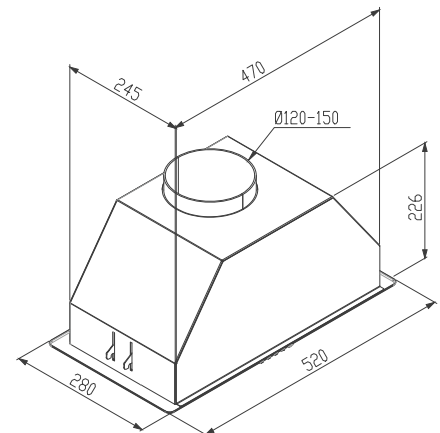
> OPTIONAL FEATURES

- Carbon Filter Set
- A+ Class Energy
- 72, 82 cm Width
- 700m³/h-210 Watt + A class energy
- 750m³/h-210 Watt + B class energy
- 850 m³/h-200 Watt+C class energy

> COLOR OPTIONS



Black Grey Inox Beige White





GC52X

Inox



72-82
CM



LED
LIGHT



BOOSTER
LEVELS

> MAIN FEATURES

- 52 cm Built-in Chimney Hood
- Push Button Control
- 3 Speed
- 2x2 Watt LED Spots
- Cassette Type Dishwasher Safe Aluminum Filter
- Hidden Screw Assembly System
- 120 mm Air Outlet
- Noise Level: min 55dBmax 61dB
- DIN EN 61591 min 125m³/h-max 280m³/h
- Energy Class: D
- Free Flow Extraction Power: 400m³/-110 Watt
- Package Dimensions (WxDxH): 54,5X23,5X34,5

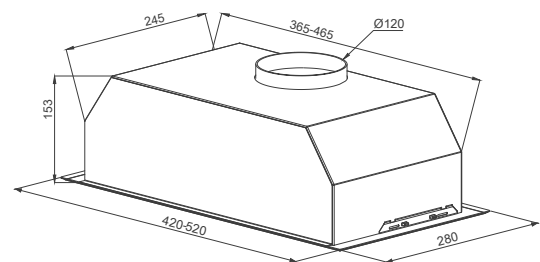
> OPTIONAL FEATURES

- Easy-fix Assembly System
- Rustic Push Button
- 72, 82 cm Width

> COLOR OPTIONS



Black Grey Inox Beige White





GS52X

Inox

NEW



72-82
CM



LED
LIGHT



BOOSTER
LEVELS

> MAIN FEATURES

- 52 cm Built-in Chimney Hood
- Flat Design
- Push Button Control
- 3 Speed
- 2x1 Watt Mini LED Spots
- Cassette Type Dishwasher Safe Aluminum Filter
- Hidden Screw Assembly System
- 120 mm Air Outlet
- Noise Level: min 55dBmax 61dB
- DIN EN 61591 min 125m³/h-max 280m³/h
- Energy Class: D
- Free Flow Extraction Power: 400m³/-110 Watt
- Package Dimensions (WxDxH): 54,5X23,5X34,5

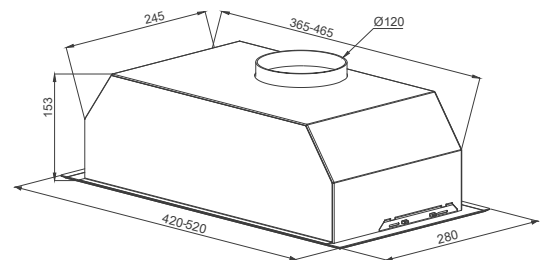
> OPTIONAL FEATURES

- Carbon Filter Set
- Rustic Push Button
- 72, 82 cm Width

> COLOR OPTIONS



Black Grey Inox Beige White





GS52B

Black



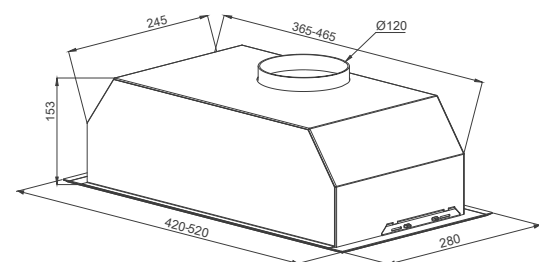
> MAIN FEATURES

- 52 cm Built-in Chimney Hood
- Flat Design
- Push Button Control
- 3 Speed
- 2x1 Watt Mini LED Spots
- Cassette Type Dishwasher Safe Aluminum Filter
- Hidden Screw Assembly System
- 120 mm Air Outlet
- Noise Level: min 55dBmax 61dB
- DIN EN 61591 min 125m³/h-max 280m³/h
- Energy Class: D
- Free Flow Extraction Power: 400m³/-110 Watt
- Package Dimensions (WxDxH): 54,5X23,5X34,5

> OPTIONAL FEATURES

- Carbon Filter Set
- Rustic Push Button
- 72, 82 cm Width

> COLOR OPTIONS





GS52W

White

NEW



72-82
CM



LED
LIGHT



BOOSTER
LEVELS

> MAIN FEATURES

- 52 cm Built-in Chimney Hood
- Flat Design
- Push Button Control
- 3 Speed
- 2x1 Watt Mini LED Spots
- Cassette Type Dishwasher Safe Aluminum Filter
- Hidden Screw Assembly System
- 120 mm Air Outlet
- Noise Level: min 55dBmax 61dB
- DIN EN 61591 min 125m³/h-max 280m³/h
- Energy Class: D
- Free Flow Extraction Power: 400m³/-110 Watt
- Package Dimensions (WxDxH): 54,5X23,5X34,5

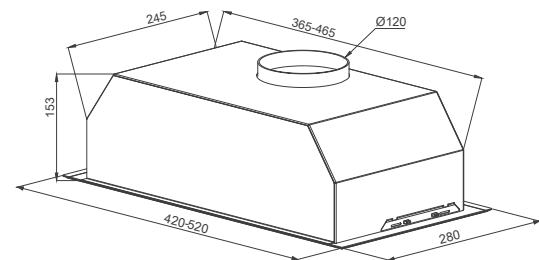
> OPTIONAL FEATURES

- Carbon Filter Set
- Rustic Push Button
- 72, 82 cm Width

> COLOR OPTIONS



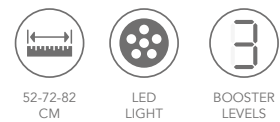
Black Grey Inox Beige White





GLD52

Black Glass



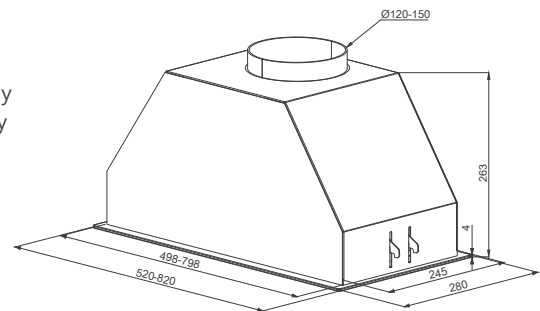
> MAIN FEATURES

- 52 cm Built-in Chimney Hood
- Full Black Glass
- Touch Control on the Cover Glass
- 3 Speed
- 2x2 Watt Flush Led
- Cassette Type Dishwasher Safe Aluminum Filter
- Easy-fix Assembly System
- 150 mm Air Outlet
- Noise Level: min 55dBmax 61dB
- DIN EN 61591 min 210m³/h-max 455m³/h
- Energy Class: D
- Free Flow Extraction Power: 550 m³/h-140 Watt
- Package Dimensions (WxDxH): 54,5X31X34,5

> OPTIONAL FEATURES

- Carbon Filter Set
- A+ Class Energy
- 72, 82 cm Width
- 700m³/h-210 Watt + A class energy
- 750m³/h-210 Watt + B class energy
- 850 m³/h-200 Watt+C class energy

> COLOR OPTIONS





GLD52 VR1

Black Glass



NEW



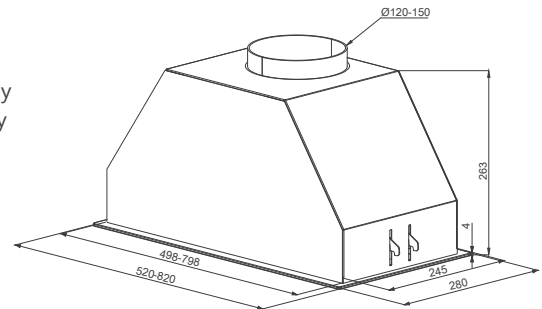
> MAIN FEATURES

- 52 cm Built-in Chimney Hood
- Full Black Glass
- Touch Control
- 3 Speed
- 2x2 Watt Flush Led
- Cassette Type Dishwasher Safe Aluminum Filter
- Easy-fix Assembly System
- 150 mm Air Outlet
- Noise Level: min 55dBmax 61dB
- DIN EN 61591 min 210m³/h-max 455m³/h
- Energy Class: D
- Free Flow Extraction Power: 550 m³/h-140 Watt
- Package Dimensions (WxDxH): 54,5X31X34,5

> OPTIONAL FEATURES

- Carbon Filter Set
- A+ Class Energy
- 72, 82 cm Width
- 700m³/h-210 Watt + A class energy
- 750m³/h-210 Watt + B class energy
- 850 m³/h-200 Watt+C class energy

> COLOR OPTIONS





GLD52 VR2

Inox+Inox Cover



52-72-82
CM



LED
LIGHT



BOOSTER
LEVELS

> MAIN FEATURES

- 52 cm Built-in Chimney Hood
- Soft Touch Control
- 3 Speed
- 1x2 Watt Flush Led
- Cassette Type Dishwasher Safe Aluminum Filter
- Easy-fix Assembly System
- 150 mm Air Outlet
- Noise Level: min 55dBmax 61dB
- DIN EN 61591 min 210m³/h-max 455m³/h
- Energy Class: D
- Free Flow Extraction Power: 550 m³/h-140 Watt
- Package Dimensions (WxDxH): 54,5X31X34,5

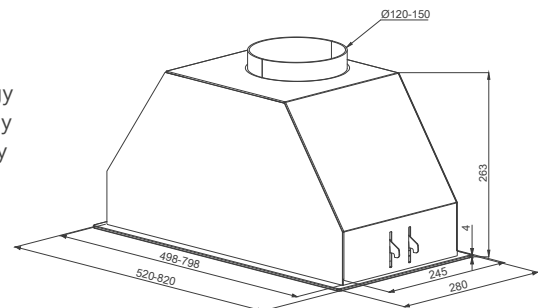
> OPTIONAL FEATURES

- Carbon Filter Set
- A+ Class Energy
- Inox Cover
- 72, 82 cm Width
- 700m³/h-210 Watt + A class energy
- 750m³/h-210 Watt + B class energy
- 850 m³/h-200 Watt+C class energy

> COLOR OPTIONS



Black Grey Inox Beige White







CLASSIC HOODS



5501X

Inox



60-90
CM



LED
LIGHT



BOOSTER
LEVELS

> MAIN FEATURES

- 60 cm Free Standing Cooker Hood
- 1 motor-110 w
- Push Button Control
- 3 Speed
- 1x5 Watt LED Lamp
- Lamp Cover
- Cassette Type Dishwasher Safe Aluminum Filters
- 120 mm Air Outlet
- Noise Level: min 49dBmax 61dB
- DIN EN 61591: min 125 m³/h-max 240 m³/h
- Energy Class: D
- Free Flow Extraction Power: 280 m³/h
- Package Dimensions (WxDxH): 61,5X16,6X51
- Recirculation

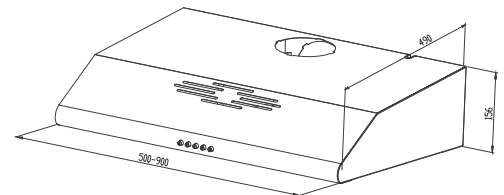
> OPTIONAL FEATURES

- Carbon Filter Set
- 50-70-80-90 cm Width
- 2x5 Watt LED Lamps
- 450 m³/h-2x90 Watt+ D Class Energy
- 520m³/h-2x110 Watt+ D Class Energy
- 2 Holes (Back&Top)
- Glass Visor

> COLOR OPTIONS



Black Grey Inox Beige Brown White





5502X-90

Inox



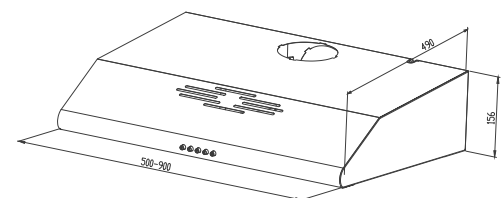
> MAIN FEATURES

- 90 cm Free Standing Cooker Hood
- 2 motor-90 w
- Push Button Control
- 3 Speed
- 1x5 Watt LED Lamp
- 120 mm Air Outlet
- Lamp Cover
- Cassette Type Dishwasher Safe Aluminum Filters
- Noise Level: min 49dBmax 61dB
- DIN EN 61591: min 135 m³/h-max 300 m³/h
- Energy Class: D
- Free Flow Extraction Power: 450 m³/h
- Package Dimensions (WxDxH): 91,5X16,6X51

> OPTIONAL FEATURES

- Recirculation
- Carbon Filter Set
- 50-60-70-80 cm Width
- 2x5 Watt LED Lamps
- 280 m³/h-1x110 Watt
- 2 Holes (Back&Top)
- 520m³/h-2x110 Watt+ D Class Energy
- Glass Visor

> COLOR OPTIONS



CLASSIC HOODS





5502B-90 - GL

Black & Glass Visor



60-90
CM



LED
LIGHT



BOOSTER
LEVELS

> MAIN FEATURES

- 90 cm Free Standing Cooker Hood
- 2 motor-90 w
- Push Button Control
- 3 Speed
- 1x5 Watt LED Lamp
- 120 mm Air Outlet
- Glass Visor
- Lamp Cover
- Cassette Type Dishwasher Safe Aluminum Filters
- Noise Level: min 49dBmax 61dB
- DIN EN 61591: min 135 m³/h-max 300 m³/h
- Energy Class: D
- Free Flow Extraction Power: 450 m³/h
- Package Dimensions (WxDxH): 91,5X16,6X51

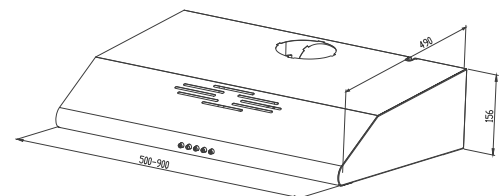
> OPTIONAL FEATURES

- Recirculation
- Carbon Filter Set
- 50-60-70-80 cm Width
- 2x5 Watt LED Lamps
- 280 m³/h-1x110 Watt
- 2 Holes (Back&Top)
- 520m³/h-2x110 Watt+ D Class Energy

> COLOR OPTIONS



Black Grey Inox Beige Brown White





5501W

White



60-90
CM



LED
LIGHT



BOOSTER
LEVELS

> MAIN FEATURES

- 60 cm Free Standing Cooker Hood
- 1 motor-110 w
- Push Button Control
- 3 Speed
- 1x5 Watt LED Lamp
- Lamp Cover
- Cassette Type Dishwasher Safe Aluminum Filters
- 120 mm Air Outlet
- Noise Level: min 49dBmax 61dB
- DIN EN 61591: min 125 m³/h-max 240 m³/h
- Energy Class: D
- Free Flow Extraction Power: 280 m³/h
- Package Dimensions (WxDxH): 61,5X16,6X51
- Recirculation

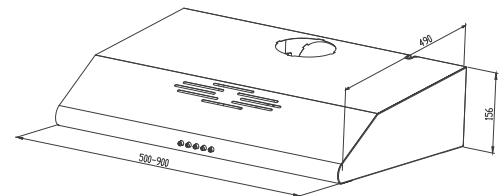
> OPTIONAL FEATURES

- Carbon Filter Set
- 50-70-80-90 cm Width
- 2x5 Watt LED Lamps
- 450 m³/h-2x90 Watt+ D Class Energy
- 520m³/h-2x110 Watt+ D Class Energy
- 2 Holes (Back&Top)
- Glass Visor

> COLOR OPTIONS



Black Grey Inox Beige Brown White





5501BG

Beige



60-90
CM



LED
LIGHT



BOOSTER
LEVELS

> MAIN FEATURES

- 60 cm Free Standing Cooker Hood
- 1 motor-110 w
- Push Button Control
- 3 Speed
- 1x5 Watt LED Lamp
- Lamp Cover
- Cassette Type Dishwasher
- Safe Aluminum Filters
- 120 mm Air Outlet
- Noise Level: min 49dBmax 61dB
- DIN EN 61591: min 125 m³/h-max 240 m³/h
- Energy Class: D
- Free Flow Extraction Power: 280 m³/h
- Package Dimensions (WxDxH): 61,5X16,6X51
- Recirculation

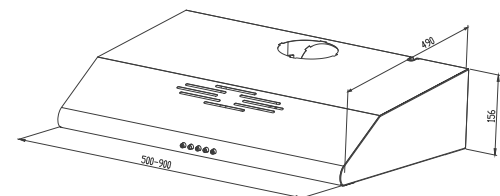
> OPTIONAL FEATURES

- Carbon Filter Set
- 50-70-80-90 cm Width
- 2x5 Watt LED Lamps
- 450 m³/h-2x90 Watt+ D Class Energy
- 520m³/h-2x110 Watt+ D Class Energy
- 2 Holes (Back&Top)
- Glass Visor

> COLOR OPTIONS



Black Grey Inox Beige Brown White





5501BR

Brown



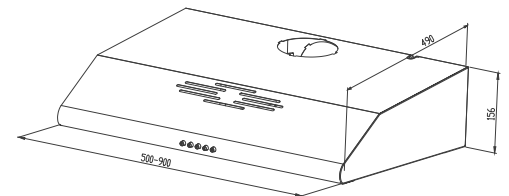
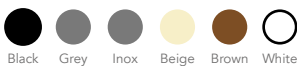
> MAIN FEATURES

- 60 cm Free Standing Cooker Hood
- 1 motor-110 w
- Push Button Control
- 3 Speed
- 1x5 Watt LED Lamp
- Lamp Cover
- Cassette Type Dishwasher Safe Aluminum Filters
- 120 mm Air Outlet
- Noise Level: min 49dBmax 61dB
- DIN EN 61591: min 125 m³/h-max 240 m³/h
- Energy Class: D
- Free Flow Extraction Power: 280 m³/h
- Package Dimensions (WxDxH): 61,5X16,6X51
- Recirculation

> OPTIONAL FEATURES

- Carbon Filter Set
- 50-70-80-90 cm Width
- 2x5 Watt LED Lamps
- 450 m³/h-2x90 Watt+ D Class Energy
- 520m³/h-2x110 Watt+ D Class Energy
- 2 Holes (Back&Top)
- Glass Visor

> COLOR OPTIONS





4500X

Inox



60-90
CM



LED
LIGHT



BOOSTER
LEVELS



> MAIN FEATURES

- 60 cm Free Standing Cooker Hood
- 1 motor-110 w
- Mini Control Buttons
- 3 Speed
- 1x5 Watt LED Lamp
- Lamp Cover
- Cassette Type Dishwasher Safe Aluminum Filters
- 120 mm Air Outlet
- Noise Level: min 49dBmax 61dB
- DIN EN 61591: min 125 m³/h-max 240 m³/h
- Energy Class: D
- Free Flow Extraction Power: 280 m³/h
- Package Dimensions (WxDxH): 61,5X18,5X50
- Front Inox+Rest Silver
- Recirculation

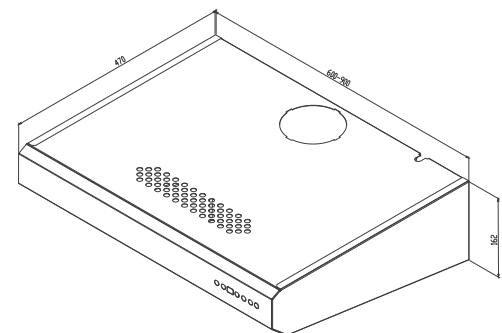
> OPTIONAL FEATURES

- Carbon Filter Set
- 90 cm Width
- 2x5 Watt LED Lamps
- 450 m³/h-2x90 Watt+ D Class
- Energy
- 520m³/h-2x110 Watt+ D Class Energy

> COLOR OPTIONS



Black Grey Inox Beige Brown White





4500W

White



60-90
CM



LED
LIGHT



BOOSTER
LEVELS

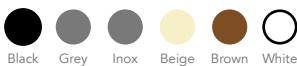
> MAIN FEATURES

- 60 cm Free Standing Cooker Hood
- 1 motor-110 w
- Mini Control Buttons
- 3 Speed
- 1x5 Watt LED Lamp
- Lamp Cover
- Cassette Type Dishwasher Safe Aluminum Filters
- 120 mm Air Outlet
- Noise Level: min 49dBmax 61dB
- DIN EN 61591: min 125 m³/h-max 240 m³/h
- Energy Class: D
- Free Flow Extraction Power: 280 m³/h
- Package Dimensions (WxDxH): 61,5X18,5X50
- Recirculation

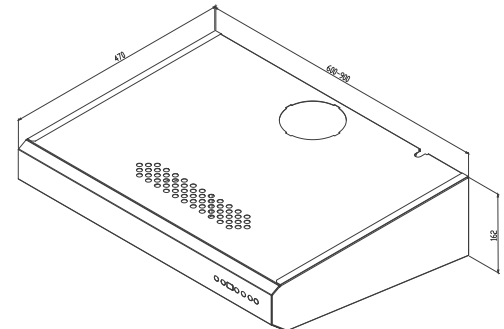
> OPTIONAL FEATURES

- Carbon Filter Set
- 90 cm Width
- 2x5 Watt LED Lamps
- 450 m³/h-2x90 Watt+ D Class
- Energy 520m³/h-2x110 Watt+ D Class Energy

> COLOR OPTIONS



Black Grey Inox Beige Brown White





4500X-DIGITAL

Inox



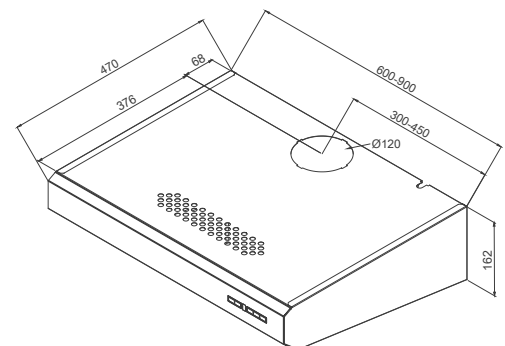
> MAIN FEATURES

- 60 cm Free Standing Cooker Hood
- 1 motor-110 w
- Soft Touch Control
- 3 Speed
- 1x5 Watt LED Lamp
- Lamp Cover
- Cassette Type Dishwasher Safe Aluminum Filters
- 120 mm Air Outlet
- Noise Level: min 49dBmax 61dB
- DIN EN 61591: min 125 m³/h-max 240 m³/h
- Energy Class: D
- Free Flow Extraction Power: 280 m³/h
- Package Dimensions (WxDxH): 61,5X18,5X50
- Recirculation

> OPTIONAL FEATURES

- Carbon Filter Set
- Remote Control
- 90 cm Width
- 2x5 Watt LED Lamps
- 450 m³/h-2x90 Watt+ D Class Energy
- 520m³/h-2x110 Watt+ D Class Energy

> COLOR OPTIONS





4500X-90

Inox



60-90
CM



LED
LIGHT



BOOSTER
LEVELS

> MAIN FEATURES

- 90 cm Free Standing Cooker Hood
- 2 motor-90 w
- Mini Control Buttons
- 3 Speed
- 1x5 Watt LED Lamp
- Lamp Cover
- Cassette Type Dishwasher Safe Aluminum Filters
- 120 mm Air Outlet
- Noise Level: min 49dBmax 61dB
- DIN EN 61591: min 135 m³/h-max 300 m³/h
- Energy Class: D
- Free Flow Extraction Power: 450 m³/h
- Package Dimensions (WxDxH): 91,5X18,5X50
- Recirculation

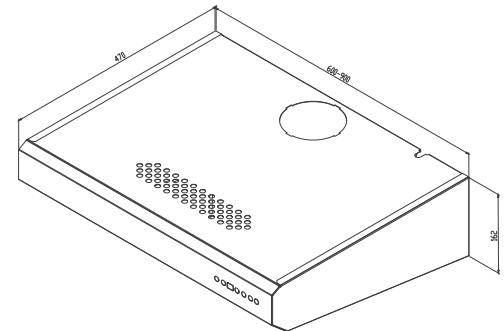
> OPTIONAL FEATURES

- Carbon Filter Set
- 60 cm Width
- 2x5 Watt LED Lamps
- 280 m³/h-1x110 Watt+ D Class Energy
- 520m³/h-2x110 Watt+ D Class Energy

> COLOR OPTIONS



Black Grey Inox Beige Brown White





5400 GL

Black Frame



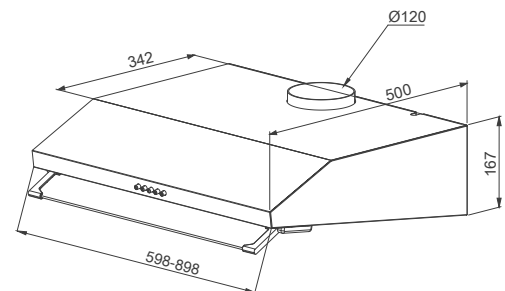
> MAIN FEATURES

- 60 cm Free Standing Cooker Hood
- 1 motor*110w Blower Motor
- Push Button Control
- 3 Speed
- 2x2 Watt Led Spots
- Cassette Type Dishwasher Safe Aluminum Filters
- 120 mm Air Outlet
- Noise Level: min 55dBmax 61dB
- DIN EN 61591: min 125 m³/h-max 280 m³/h
- Energy Class: D
- Free Flow Extraction Power: 400 m³/h
- Package Dimensions (WxDxH): 61,5X18X51

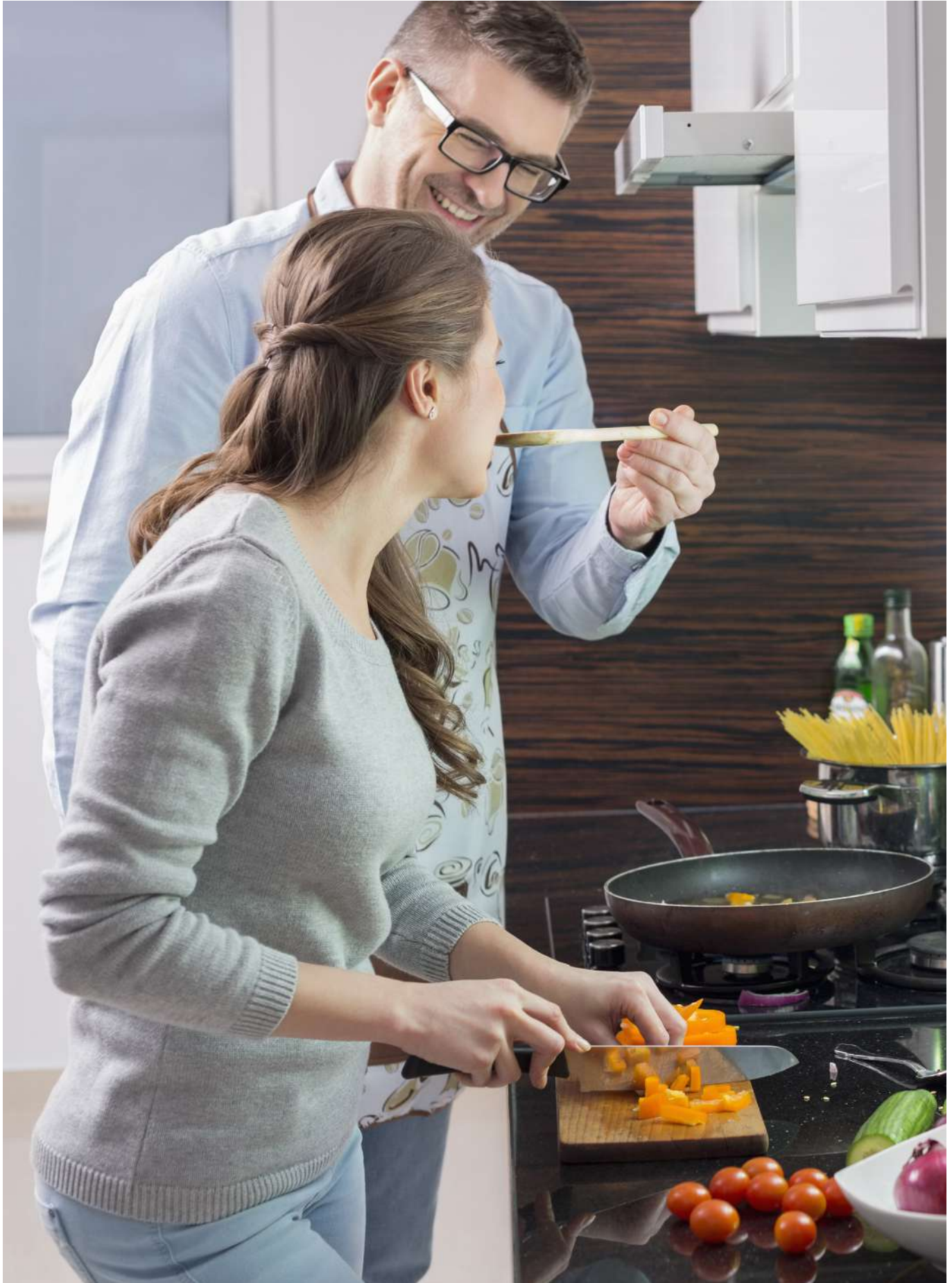
> OPTIONAL FEATURES

- Carbon Filter Set
- 90 cm Width
- Touch Control
- Remote Control

> COLOR OPTIONS



TELESCOPIC HOODS





TELESCOPIC HOODS



7062X-90

Inox



60-90
CM



LED
LIGHT



BOOSTER
LEVELS

> MAIN FEATURES

- 90 cm Built in Telescopic Cooker Hood
- Inox
- 2 motors*90w
- Mini Control Buttons
- 3 Speed
- 2x5 Watt LED Lamp
- Lamp Cover
- Cassette Type Dishwasher Safe 4 Aluminum Filters
- 120 mm Air Outlet
- Noise Level: min 49dBmax 61dB
- DIN EN 61591: min 135 m³/h-max 300 m³/h
- Energy Class: D
- Free Flow Extraction Power: 450 m³/h
- Package Dimensions (WxDxH): 91,5X18,5X31,8

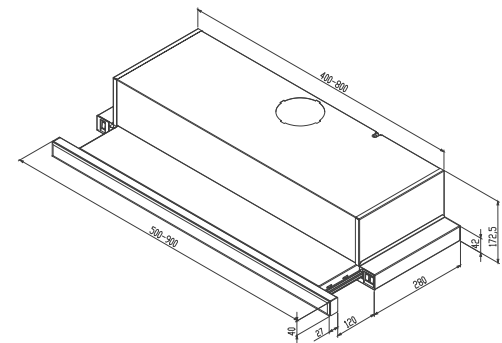
> OPTIONAL FEATURES

- Carbon Filter Set
- 50,60 cm Width
- Rustic Handle
- 520m³/h-2x110 Watt+ D Class Energy
- 2x1 Watt LED Spot

> COLOR OPTIONS



Black Grey Inox Beige Brown White





6064-03-90

Black Glass



> MAIN FEATURES

- 90 cm Built in Telescopic Cooker Hood
- 1 motor*110w Blower Motor
- Touch Control
- 3 Speed
- Auto Shut Down Timer
- 2x1 Watt Mini LED Spots
- Cassette Type Dishwasher Safe Aluminum Filters
- 120 mm Air Outlet
- Noise Level: min 55dB-max 61dB
- DIN EN 61591 min 125m³/h-max 280m³/h
- Energy Class: D
- Free Flow Extraction Power: 400 m³/h
- Package Dimensions (WxDxH): 94X21X38

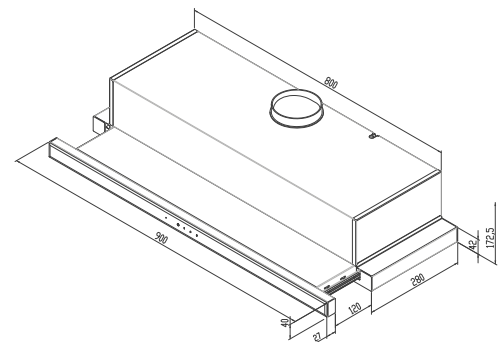
> OPTIONAL FEATURES

- Carbon Filter Set
- 50, 60 cm Width
- Remote Control

> GLASS COLORS



> COLOR OPTIONS





6064-03

Black Glass

60-90
CMLED
LIGHT3
BOOSTER
LEVELS

> MAIN FEATURES

- 60 cm Built in Telescopic Cooker Hood
- 1 motor*110w Blower Motor
- Touch Control
- Auto Shut Down Timer
- 3 Speed
- 2x1 Watt Mini LED Spots
- Cassette Type Dishwasher Safe Aluminum Filters
- 120 mm Air Outlet
- Noise Level: min 55dBmax 61dB
- DIN EN 61591 min 125m³/h-max 280m³/h
- Energy Class: D
- Free Flow Extraction Power: 400 m³/h
- Package Dimensions (WxDxH): 64X21X35,5

> OPTIONAL FEATURES

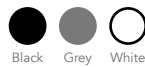
- Carbon Filter Set
- 50, 60 cm Width
- Remote Control

> GLASS COLORS

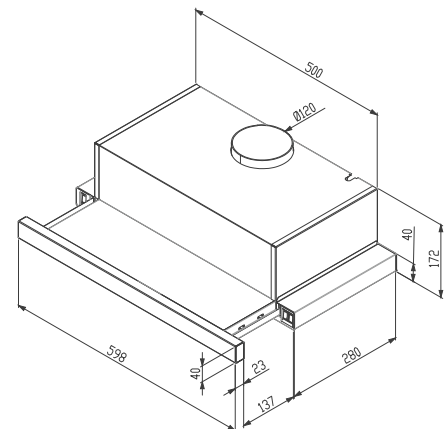


Black White

> COLOR OPTIONS



Black Grey White





7062GL-W

White Glass



60-90
CM



LED
LIGHT



BOOSTER
LEVELS

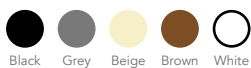
> MAIN FEATURES

- 60 cm Built in Telescopic Cooker Hood
- Front Bevelled White Glass
- Mini Control Buttons
- 2 motors*90 w
- 3 Speed
- 1x5 Watt LED Lamp
- Lamp Cover
- Cassette Type Dishwasher Safe Aluminum Filters
- 120 mm Air Outlet
- Noise Level: min 49dBmax 61dB
- DIN EN 61591: min 135 m³/h-max 300 m³/h
- Energy Class: D
- Free Flow Extraction Power: 450 m³/h
- Package Dimensions (WxDxH): 61,5X18,5X31,8

> OPTIONAL FEATURES

- Carbon Filter Set
- 50, 90 cm Width
- 1x2 Watt Linear LED
- 2x1 Watt LED Spot
- 520m³/h-2x110 Watt +D Class Energy

> GLASS COLORS

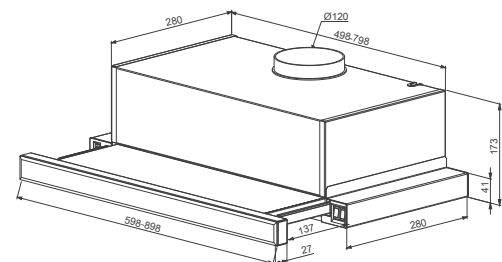


Black Grey Beige Brown White

> COLOR OPTIONS



Black Grey Beige Brown White





7062GL-B

Black Glass



60-90
CM



LED
LIGHT



BOOSTER
LEVELS

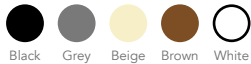
> MAIN FEATURES

- 60 cm Built in Telescopic Cooker Hood
- Front Bevelled Black Glass
- Mini Control Buttons
- 2 motors*90 w
- 3 Speed
- 1x5 Watt LED Lamp
- Lamp Cover
- Cassette Type Dishwasher Safe Aluminum Filters
- 120 mm Air Outlet
- Noise Level: min 49dBmax 61dB
- DIN EN 61591: min 135 m³/h-max 300 m³/h
- Energy Class: D
- Free Flow Extraction Power: 450 m³/h
- Package Dimensions (WxDxH): 61,5X18,5X31,8

> OPTIONAL FEATURES

- Carbon Filter Set
- 50, 90 cm Width
- 1x2 Watt Linear LED
- 2x1 Watt LED Spot
- 520m³/h-2x110 Watt +D Class Energy

> GLASS COLORS

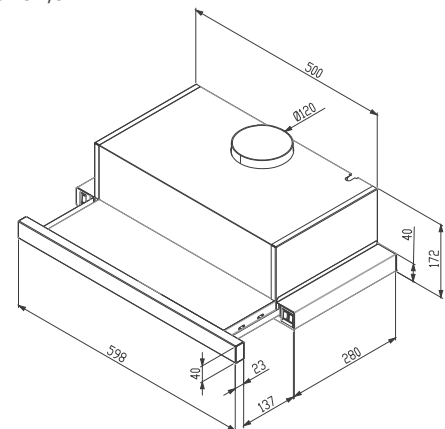


Black Grey Beige Brown White

> COLOR OPTIONS



Black Grey Beige Brown White





7062GL-BG

Ivory Glass



60-90
CM



LED
LIGHT



BOOSTER
LEVELS

> MAIN FEATURES

- 60 cm Built in Telescopic Cooker Hood
- Front Bevelled Ivory Glass
- Mini Control Buttons
- 2 motors*90 w
- 3 Speed
- 1x5 Watt LED Lamp
- Lamp Cover
- Cassette Type Dishwasher Safe Aluminum Filters
- 120 mm Air Outlet
- Noise Level: min 49dBmax 61dB
- DIN EN 61591: min 135 m³/h-max 300 m³/h
- Energy Class: D
- Free Flow Extraction Power: 450 m³/h
- Package Dimensions (WxDxH): 61,5X18,5X31,8

> OPTIONAL FEATURES

- Carbon Filter Set
- 50, 90 cm Width
- 1x2 Watt Linear LED
- 2x1 Watt LED Spot
- 520m³/h-2x110 Watt +D Class Energy

> GLASS COLORS

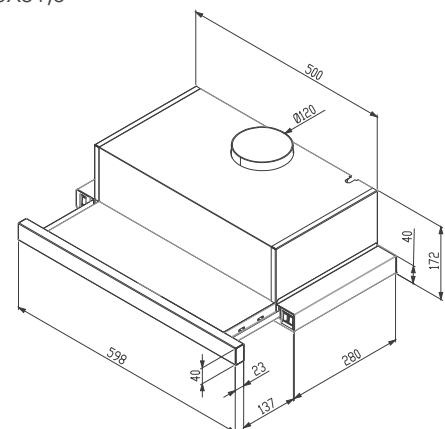


Black Grey Beige Brown White

> COLOR OPTIONS



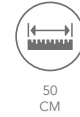
Black Grey Beige Brown White





7062X-50

Inox



50
CM



LED
LIGHT



BOOSTER
LEVELS

> MAIN FEATURES

- 50 cm Built in Telescopic Cooker Hood
- Inox
- Mini Control Buttons
- 2 motors*90 w
- 2 Speed
- 1x5 Watt LED Lamp
- Lamp Cover
- Cassette Type Dishwasher Safe Aluminum Filters
- 120 mm Air Outlet
- Noise Level: min 49dBmax 61dB
- DIN EN 61591: min 135 m³/h-max 300 m³/h
- Energy Class: D
- Free Flow Extraction Power: 450 m³/h
- Package Dimensions (WxDxH): 51,5X18,5X31,8

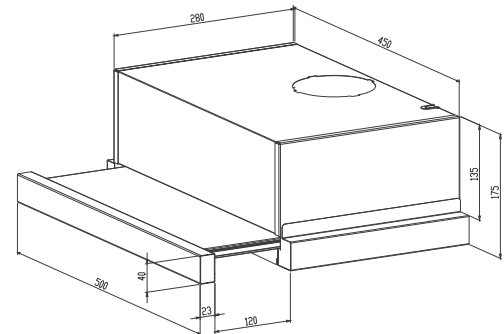
> OPTIONAL FEATURES

- Carbon Filter Set
- Rustic Handle
- 60, 90 cm Width
- 1x2 Watt Linear LED
- 2x1 Watt LED Spot
- 520m³/h-2x110 Watt +D Class Energy

> COLOR OPTIONS



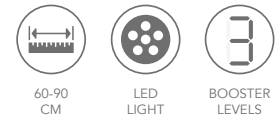
Black Grey Inox Beige Brown White





9064X

Inox & Big Case



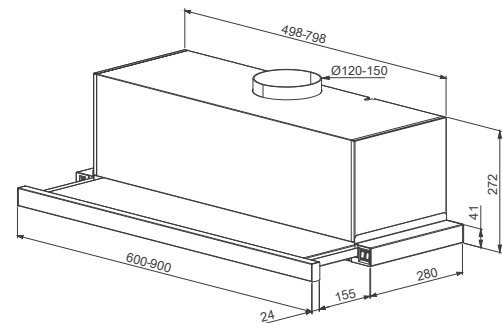
> MAIN FEATURES

- 60 cm Built in Telescopic Cooker Hood
- 1 motor*140w Big Blower Motor
- Mini Control Buttons
- 3 Speed
- 1x5 Watt LED Lamp
- Cassette Type Dishwasher Safe Aluminum Filters
- 150 mm Air Outlet
- Noise Level: min 44dBmax 64dB
- DIN EN 61591 min 210m³/h-max 455m³/h
- Energy Class: D
- Free Flow Extraction Power: 550 m³/h
- Package Dimensions (WxDxH): 66X32X36

> OPTIONAL FEATURES

- Carbon Filter Set
- 50, 90 cm Width
- Touch Control+2x1 Watt Mini LED Spots
- 2x2 Watt LED Spots
- Rustic Handle
- 700m³/h-210 Watt Maxi Blower Motor+ A Class Energy
- 750m³/h-210 Watt Big Blower Motor+ B Class Energy
- 850m³/h-200 Watt Big Blower Motor+ C Class Energy

> COLOR OPTIONS





6064X

Inox



60-90
CM



LED
LIGHT



BOOSTER
LEVELS

> MAIN FEATURES

- 60 cm Built in Telescopic Cooker Hood
- 1 motor*110w Blower Motor
- Mini Control Buttons
- 3 Speed
- 1x2 Watt Linear LED
- Cassette Type Dishwasher Safe Aluminum Filters
- 120 mm Air Outlet
- Noise Level: min 55dBmax 61dB
- DIN EN 61591 min 125m³/h-max 280m³/h
- Energy Class: D
- Free Flow Extraction Power: 400 m³/h
- Package Dimensions (WxDxH): 64X21X35,5

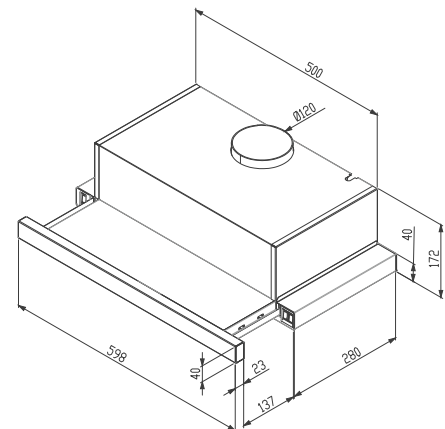
> OPTIONAL FEATURES

- Carbon Filter Set
- 50, 60 cm Width
- 2x1 Watt LED Spot

> COLOR OPTIONS



Black Grey Inox Beige Brown White





BLOWER MOTOR



9074X

Inox & Big Case



60-90 CM



LED LIGHT



BOOSTER LEVELS

> MAIN FEATURES

- 60 cm Built in Telescopic Cooker Hood
- 1 motor*200w Big Blower Motor
- Mini Control Buttons
- 3 Speed
- 1x5 Watt LED Lamp
- Cassette Type Dishwasher Safe Aluminum Filters
- 150 mm Air Outlet
- Noise Level: min 41dBmax 68dB
- DIN EN 61591 min 225m³/h-max 700m³/h
- Energy Class: C
- Free Flow Extraction Power: 850 m³/h
- Package Dimensions (WxDxH): 66X32X36

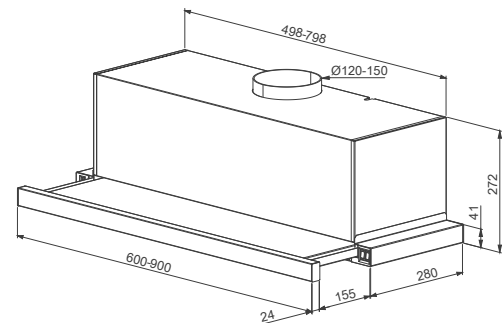
> OPTIONAL FEATURES

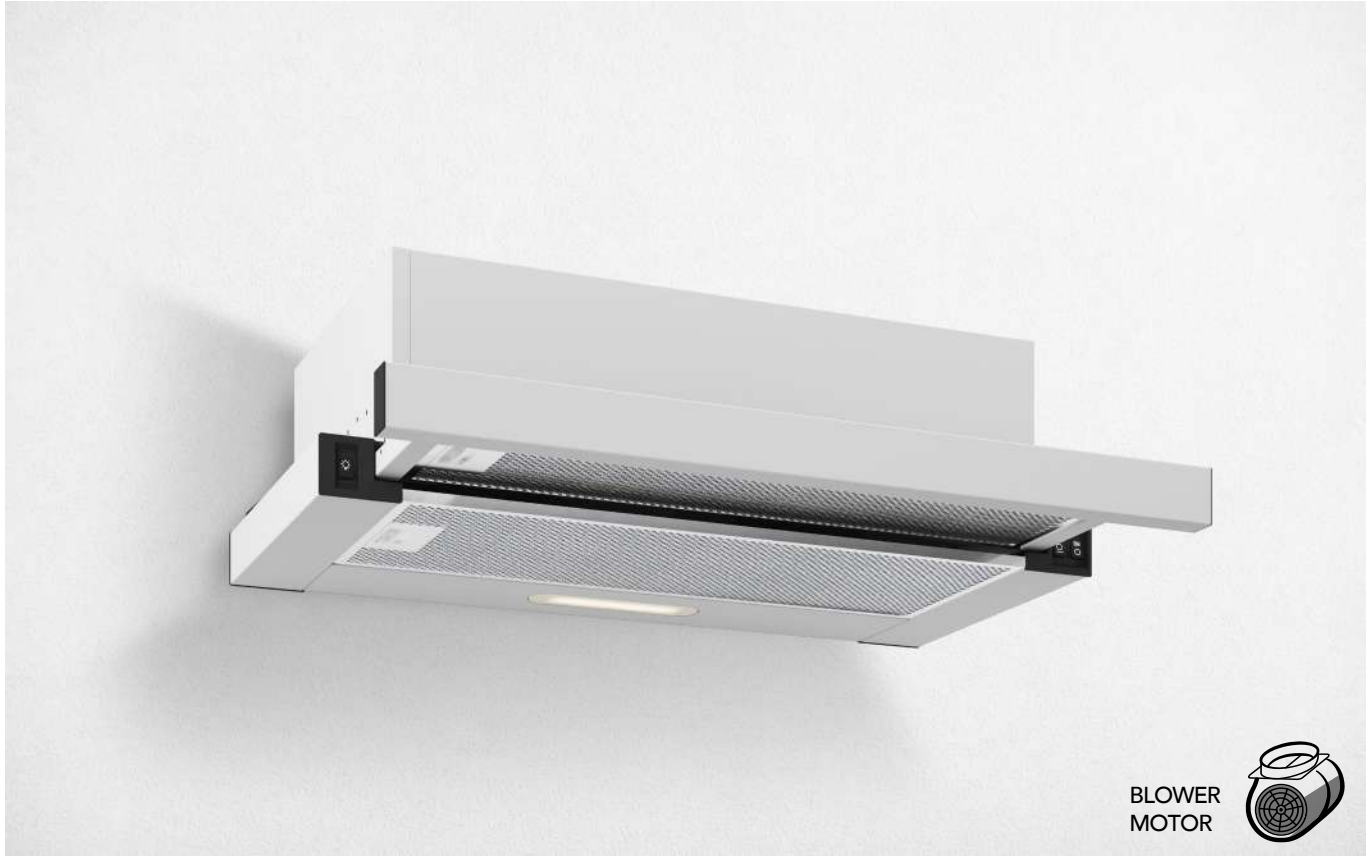
- Carbon Filter Set
- 50, 90 cm Width
- Touch Control+2x1 Watt Mini LED Spots
- 2x2 Watt LED Spots
- Rustic Handle
- 700m³/h-210 Watt Maxi Blower Motor+ A Class Energy
- 750m³/h-210 Watt Big Blower Motor+ B Class Energy

> COLOR OPTIONS



Black Grey Inox Beige Brown White





6064W

White



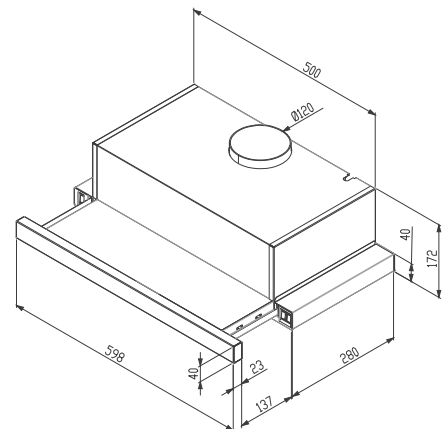
> MAIN FEATURES

- 60 cm Built in Telescopic Cooker Hood
- 1 motor*110w Blower Motor
- Mini Control Buttons
- 3 Speed
- 1x2 Watt Linear LED
- Cassette Type Dishwasher Safe Aluminum Filters
- 120 mm Air Outlet
- Noise Level: min 55dBmax 61dB
- DIN EN 61591 min 125m³/h-max 280m³/h
- Energy Class: D
- Free Flow Extraction Power: 400 m³/h
- Package Dimensions (WxDxH): 64X21X35,5

> OPTIONAL FEATURES

- Carbon Filter Set
- 50, 60 cm Width
- 2x1 Watt LED Spot

> COLOR OPTIONS





8080GL-B

Inox Frame & Black Glass



60-90
CM



LED
LIGHT



BOOSTER
LEVELS

> MAIN FEATURES

- 60 cm Built in Telescopic Cooker Hood
- Mini Control Buttons
- 2 motors*90 w
- 3 Speed
- 1x5 Watt LED Lamp
- Lamp Cover
- Cassette Type Dishwasher Safe Aluminum Filters
- 120 mm Air Outlet
- Noise Level: min 49dBmax 61dB
- DIN EN 61591: min 135 m³/h-max 300 m³/h
- Energy Class: D
- Free Flow Extraction Power: 450 m³/h
- Package Dimensions (WxDxH): 61,5X18,5X31,8

> OPTIONAL FEATURES

- Carbon Filter Set
- 50, 90 cm Width
- 1x2 Watt Linear LED
- 2x1 Watt LED Spot
- 280m³/h-1x110 Watt+ D Class Energy
- 520m³/h-2x110 Watt +D Class Energy

> GLASS COLORS

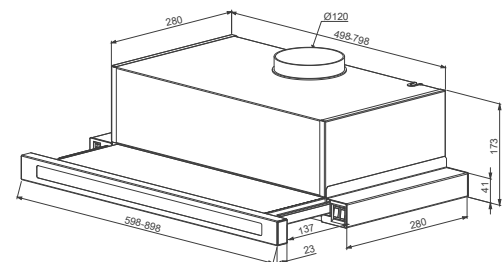


Black Grey Beige Brown White

> COLOR OPTIONS



Black Grey Inox Beige Brown White





8080GL-W

Inox Frame & White Glass



60-90
CM



LED
LIGHT



BOOSTER
LEVELS

> MAIN FEATURES

- 60 cm Built in Telescopic Cooker Hood
- Mini Control Buttons
- 2 motors*90 w
- 3 Speed
- 1x5 Watt LED Lamp
- Lamp Cover
- Cassette Type Dishwasher Safe Aluminum Filters
- 120 mm Air Outlet
- Noise Level: min 49dBmax 61dB
- DIN EN 61591: min 135 m³/h-max 300 m³/h)
- Energy Class: D
- Free Flow Extraction Power: 450 m³/h
- Package Dimensions (WxDxH): 61,5X18,5X31,8

> OPTIONAL FEATURES

- Carbon Filter Set
- 50, 90 cm Width
- 1x2 Watt Linear LED
- 2x1 Watt LED Spot
- 280m³/h-1x110 Watt+ D Class Energy
- 520m³/h-2x110 Watt +D Class Energy

> GLASS COLORS

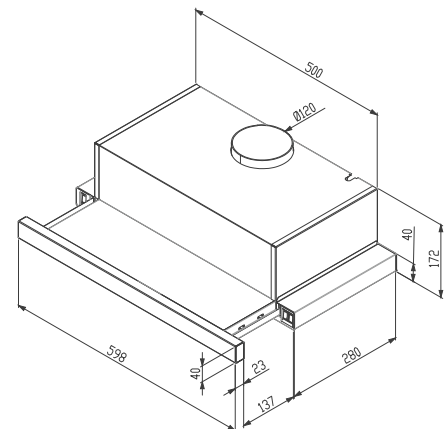


Black Grey Beige Brown White

> COLOR OPTIONS



Black Grey Inox Beige Brown White





7062X

Inox



60-90
CM



LED
LIGHT



BOOSTER
LEVELS

> MAIN FEATURES

- 60 cm Built in Telescopic Cooker Hood
- Mini Control Buttons
- 2 motors*90 w
- 3 Speed
- 1x5 Watt LED Lamp
- Lamp Cover
- Cassette Type Dishwasher Safe Aluminum Filters
- 120 mm Air Outlet
- Noise Level: min 49dBmax 61dB
- DIN EN 61591: min 135 m³/h-max 300 m³/h
- Energy Class: D
- Free Flow Extraction Power: 450 m³/h
- Package Dimensions (WxDxH): 61,5X18,5X31,8

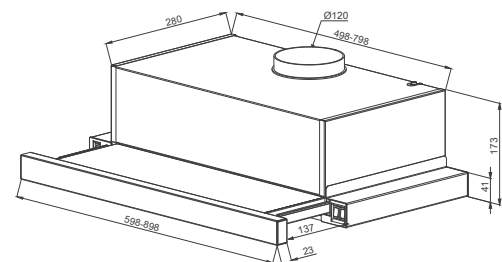
> OPTIONAL FEATURES

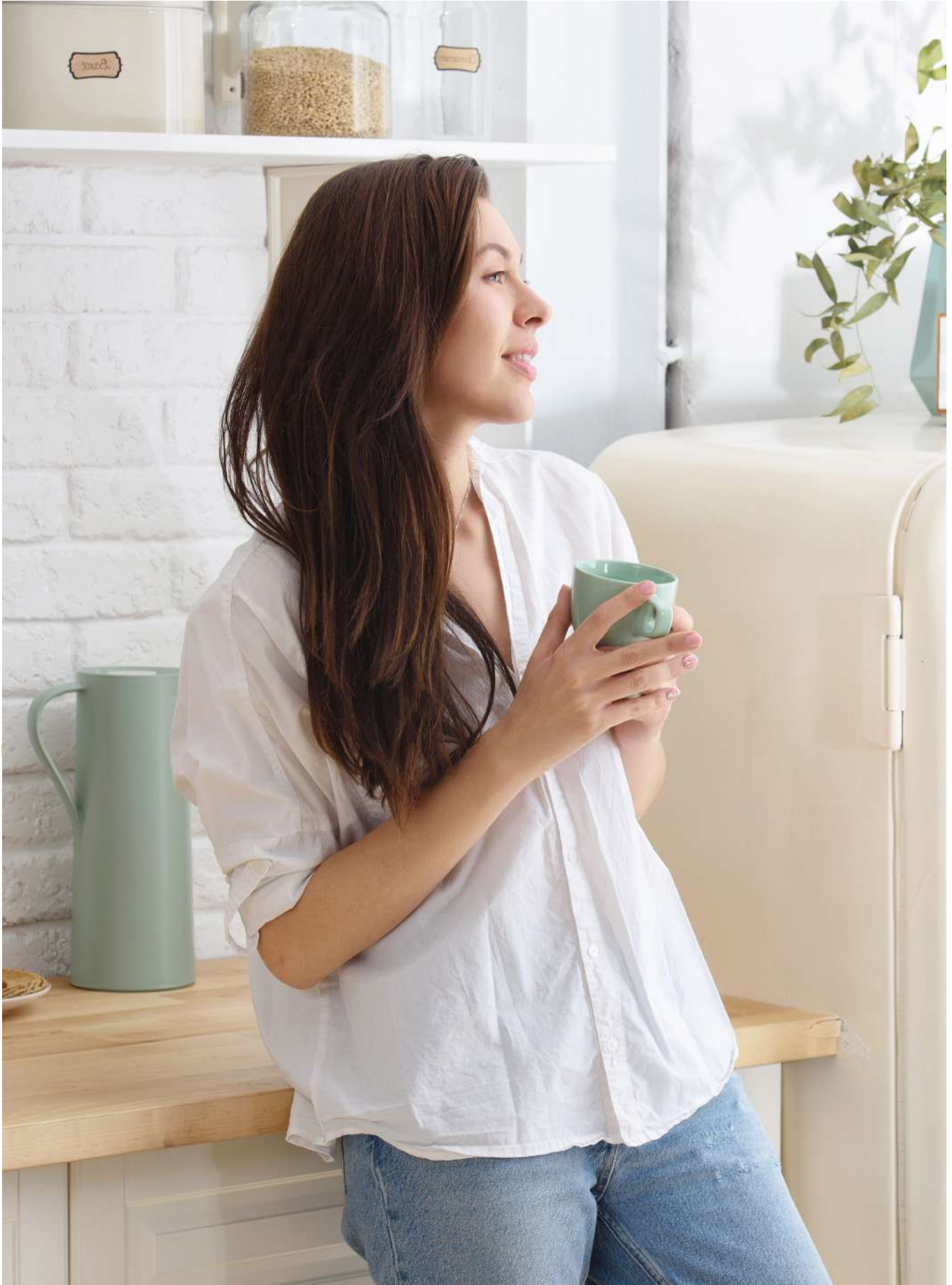
- Carbon Filter Set
- Rustic Handle
- 50, 90 cm Width
- 1x2 Watt Linear LED
- 2x1 Watt LED Spot
- 520m³/h-2x110 Watt +D Class Energy

> COLOR OPTIONS



Black Grey Inox Beige Brown White







7062RB

Rustic Beige



> MAIN FEATURES

- 60 cm Built in Telescopic Cooker Hood
- Rustic Handle
- Mini Control Buttons
- 2 motors*90 w
- 3 Speed
- 1x5 Watt LED Lamp
- Lamp Cover
- Cassette Type Dishwasher Safe Aluminum Filters
- 120 mm Air Outlet
- Noise Level: min 49dBmax 61dB
- DIN EN 61591: min 135 m³/h-max 300 m³/h
- Energy Class: D
- Free Flow Extraction Power: 450 m³/h
- Package Dimensions (WxDxH): 61,5X18,5X31,8

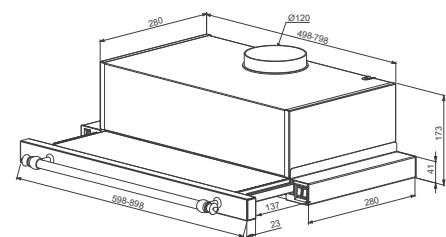
> OPTIONAL FEATURES

- Carbon Filter Set
- Rustic Handle
- 50, 90 cm Width
- 1x2 Watt Linear LED
- 2x1 Watt LED Spot
- 520m³/h-2x110 Watt +D Class Energy

> COLOR OPTIONS



> HANDLE OPTIONS





7062BR

Brown



60-90
CM



LED
LIGHT



BOOSTER
LEVELS

> MAIN FEATURES

- 60 cm Built in Telescopic Cooker Hood
- Mini Control Buttons
- 2 motors*90 w
- 3 Speed
- 1x5 Watt LED Lamp
- Lamp Cover
- Cassette Type Dishwasher
- Safe Aluminum Filters
- 120 mm Air Outlet
- Noise Level: min 49dBmax 61dB
- DIN EN 61591: min 135 m³/h-max 300 m³/h
- Energy Class: D
- Free Flow Extraction Power: 450 m³/h
- Package Dimensions (WxDxH): 61,5X18,5X31,8

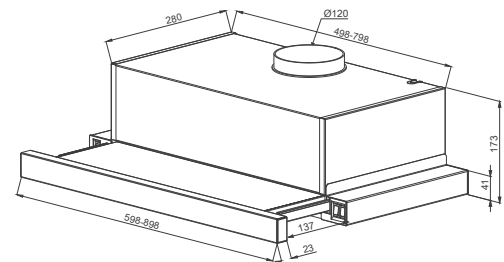
> OPTIONAL FEATURES

- Carbon Filter Set
- Rustic Handle
- 50, 90 cm Width
- 1x2 Watt Linear LED
- 2x1 Watt LED Spot
- 520m³/h-2x110 Watt +D Class Energy

> COLOR OPTIONS



Black Grey Inox Beige Brown White





7062W

White



60-90
CM



LED
LIGHT



BOOSTER
LEVELS

> MAIN FEATURES

- 60 cm Built in Telescopic Cooker Hood
- Mini Control Buttons
- 2 motors*90 w
- 3 Speed
- 1x5 Watt LED Lamp
- Lamp Cover
- Cassette Type Dishwasher Safe Aluminum Filters
- 120 mm Air Outlet
- Noise Level: min 49dBmax 61dB
- DIN EN 61591: min 135 m³/h-max 300 m³/h)
- Energy Class: D
- Free Flow Extraction Power: 450 m³/h
- Package Dimensions (WxDxH): 61,5X18,5X31,8

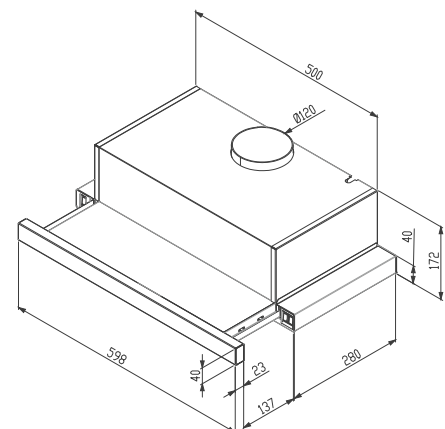
> OPTIONAL FEATURES

- Carbon Filter Set
- Rustic Handle
- 50,90 cm Width
- 520m³/h-2x110 Watt+ D Class Energy
- 2x5 Watt LED Lamp
- 2x2 Watt LED Spot

> COLOR OPTIONS



Black Grey Inox Beige Brown White





7062-60 VR10 GL

Bevelled Black Glass & Front Recirculation



> MAIN FEATURES

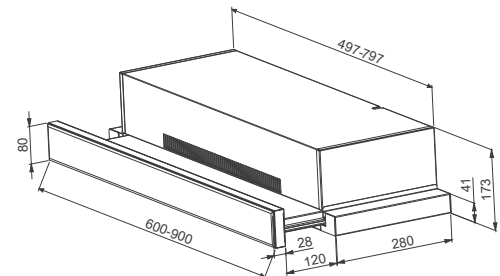
- 60 cm Built in Telescopic Cooker Hood
- Recirculation
- Carbon Filter
- Front Bevelled Black Glass
- Mini Control Buttons
- 2 motors*90 w
- 3 Speed
- 1x2 Watt Linear LED
- Cassette Type Dishwasher Safe Aluminum Filters
- Noise Level: min 49dBmax 61dB
- Free Flow Extraction Power: 450 m³/h
- Package Dimensions (WxDxH): 65,5X22,5X38



> OPTIONAL FEATURES

- 90 cm Width
- 2x1 Watt LED Spot
- 1x5 Watt LED Lamp
- 520m³/h-2x110 Watt +D Class Energy

> COLOR OPTIONS





7062VR10 X

Inox Panel Front Recirculation



> MAIN FEATURES

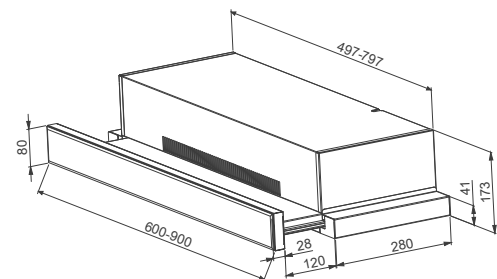
- 60 cm Built in Telescopic Cooker Hood
- Recirculation
- Carbon Filter
- Mini Control Buttons
- 2 motors*90 w
- 3 Speed
- 1x2 Watt Linear LED
- Cassette Type Dishwasher Safe Aluminum Filters
- Noise Level: min 49dBmax 61dB
- Free Flow Extraction Power: 450 m³/h
- Package Dimensions (WxDxH): 65,5X22,5X38



> OPTIONAL FEATURES

- 90 cm Width
- 2x1 Watt LED Spot
- 1x5 Watt LED Lamp
- 520m³/h-2x110 Watt +D Class Energy

> COLOR OPTIONS





6021W

White + Transparent Glass



60-90
CM



LED
LIGHT



BOOSTER
LEVELS

> MAIN FEATURES

- 60 cm Built in Telescopic Cooker Hood
- Plastic White Front Panel
- 1 motor*110w
- Mini Control Buttons
- 3 Speed
- 1x5 Watt LED Lamp
- Plastic Transparent Lamp Cover
- Cassette Type Dishwasher Safe Single Aluminum Filter
- 120 mm Air Outlet
- Noise Level: min 49dBmax 61dB
- DIN IEC 61591: min 125 m³/h-max 240 m³/h
- Energy Class: D
- Free Flow Extraction Power: 280 m³/h
- Package Dimensions (WxDxH): 61,5X18,5X31,8

> OPTIONAL FEATURES

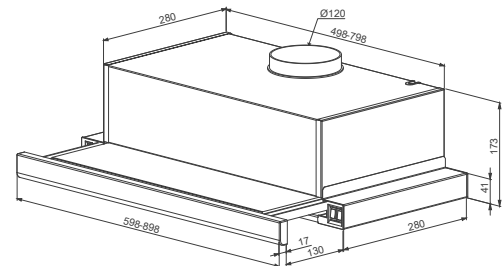
- Carbon Filter Set
- 450m³/h-2*90 Watt+D Class

Energy

> COLOR OPTIONS



Black Grey Inox Beige Brown White





TELESCOPIC HOODS

Export Office & Showroom:

Göztepe Mah. Batışehir Cad. St.
Ofis K1 Blk. 2/1 B2 34218
Bağcılar / İstanbul - TURKEY

Factory:

Fatih Sultan Mehmet Cad. No:6/1
Esenyurt - İstanbul / TURKEY

T. +90 212 351 5849

F. +90 212 351 4830

www.proff.com.tr | www.hibsan.com.tr

HIBSAN

PROFF