

# COOKER HOODS CATALOG



We produce only  
cooker hoods  
**Since 1981.**



**HIBSAN** | **PROFF**



SINCE 1981,  
WE KEEP PRODUCING,  
DEVELOPING AND  
WORKING WITH  
ENTHUSIASM TO  
HARMONIZE ELEGANT  
KITCHENS...

---

“Hundreds of employment, over 550.000 production capacity/year, 20.000m<sup>2</sup> cooker hood production area, more than 20 patents, OEM & ODM production for more than 300 brands, CE, CB, LVD, EMC, ISO, EAC certifications.

Since 2012, **PROFF**essional meeting of the kitchen and aesthetics... now exporting to 95 countries.”



# NUMBERS

550.000



UNITS PRODUCTION CAPACITY

750.000



MOTOR PRODUCTION

6 Million



HOUSEHOLD USE OUR HOODS

20 +



PATENT RECEIVED

95 +



COUNTRIES EXPORT

25 sec.



1 HOOD IS PRODUCED IN

110+



DIFFERENT MODEL HOODS

300 +



OEM CUSTOMERS

20.000m<sup>2</sup>



PRODUCTION AREA



# contents



ISLAND  
HOODS 09



CYLINDER  
HOODS 19



TV  
HOOD 28



DOWNDRAFT  
HOOD 33



INCLINED  
HOODS 35



T-TYPE  
HOODS 53



COUNTRY  
HOODS 67





PYRAMID  
HOODS

71



CORNER  
HOODS

75



BUILT-IN  
HOODS

79



CLASSIC  
HOODS

95



TELESCOPIC  
HOODS

105



CENTRAL  
EXHAUST HOODS

117

**We can add your  
kitchen some  
space or colour,  
technology or  
classy...**

**Just define  
your style and  
essentials.**









# ISLAND HOODS



# Sereno S Isola

LDI24 GL



LED  
LIGHT



TIMER  
SHUT-DOWN



FILTER  
SATURATION  
INDICATOR



BOOSTER  
LEVELS

## > MAIN FEATURES

- **Dimension:** 90 cm
- **Installation:** Island
- **Control:** Soft Touch with Display (Double Side)
- **Speed:** 5
- **Lighting:** 4x2W LED Spot
- **Filter:** Aluminium (Dishwasher Safe)
- **Air Outlet:** 150 mm
- **Chimney:** Adjustable & Double
- **Filter Saturation Indicator:** Yes
- **Timer:** 15 Mins
- **Noise Level:** min 51dB - max 68dB
- **Airflow Capacity (DIN EN 61591):** min 250 m<sup>3</sup>/h - max 615 m<sup>3</sup>/h
- **Airflow Capacity (Free Flow):** 850 m<sup>3</sup>/h
- **Motor:** 200 Watt Blower Type
- **Energy Class:** C
- **Package Dimensions (WxDxH):** 98x71x63 cm
- **MOQ:** 25 Pcs
- **20DC/40HC/Truck:** 60 Pcs / 144 Pcs / 180 Pcs

## > OPTIONAL FEATURES

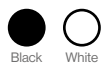
- Carbon Filter Set
- 700 m<sup>3</sup>/h - 210 Watt Blower Motor (A class energy)
- 750 m<sup>3</sup>/h - 210 Watt Blower Motor (B class energy)

## > COLOR OPTIONS

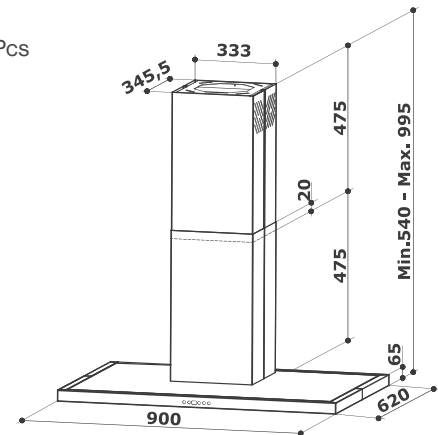


Black Inox White

## > GLASS COLORS



Black White





# FormaT Isola

LDI35



LED  
LIGHT



BOOSTER  
LEVELS

## > MAIN FEATURES

- **Dimension:** 90 cm
- **Installation:** Island
- **Control:** Push Button (Double Side)
- **Speed:** 3
- **Lighting:** 2x2W LED Spot
- **Filter:** Aluminium (Dishwasher Safe)
- **Air Outlet:** 150 mm
- **Chimney:** Adjustable & Double
- **Noise Level:** min 51dB - max 68dB
- **Airflow Capacity (DIN EN 61591):** min 250 m<sup>3</sup>/h - max 615 m<sup>3</sup>/h
- **Airflow Capacity (Free Flow):** 850 m<sup>3</sup>/h
- **Motor:** 200 Watt Blower Type
- **Energy Class:** C
- **Package Dimensions (WxDxH):** 98x71x63 cm
- **MOQ:** 25 Pcs
- **20DC/40HC/Truck:** 60 Pcs / 144 Pcs / 180 Pcs

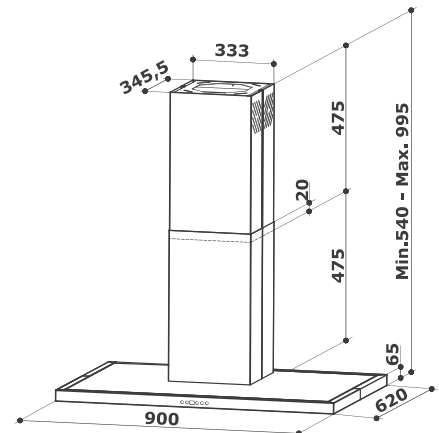
## > OPTIONAL FEATURES

- Carbon Filter Set
- 700 m<sup>3</sup>/h - 210 Watt Blower Motor (A class energy)
- 750 m<sup>3</sup>/h - 210 Watt Blower Motor (B class energy)

## > COLOR OPTIONS



Black    Inox    White





# Magu Isola

LDI22



LED LIGHT



TIMER SHUT-DOWN



FILTER SATURATION INDICATOR



BOOSTER LEVELS

## > MAIN FEATURES

- **Dimension:** 90 cm
- **Installation:** Island
- **Control:** Soft Touch with Display (Double Side)
- **Speed:** 5
- **Lighting:** 2x2W LED Spot
- **Filter:** Aluminium (Dishwasher Safe)
- **Air Outlet:** 150 mm
- **Chimney:** Adjustable & Double
- **Filter Saturation Indicator:** Yes
- **Timer:** 15 Mins
- **Noise Level:** min 51dB - max 68dB
- **Airflow Capacity (DIN EN 61591):** min 250 m<sup>3</sup>/h - max 615 m<sup>3</sup>/h
- **Airflow Capacity (Free Flow):** 850 m<sup>3</sup>/h
- **Motor:** 200 Watt Blower Type
- **Energy Class:** C
- **Package Dimensions (WxDxH):** 98x71x63 cm
- **MOQ:** 25 Pcs
- **20DC/40HC/Truck:** 60 Pcs / 144 Pcs / 180 Pcs

## > OPTIONAL FEATURES

- Carbon Filter Set
- 700 m<sup>3</sup>/h - 210 Watt Blower Motor (A class energy)
- 750 m<sup>3</sup>/h - 210 Watt Blower Motor (B class energy)

## > COLOR OPTIONS

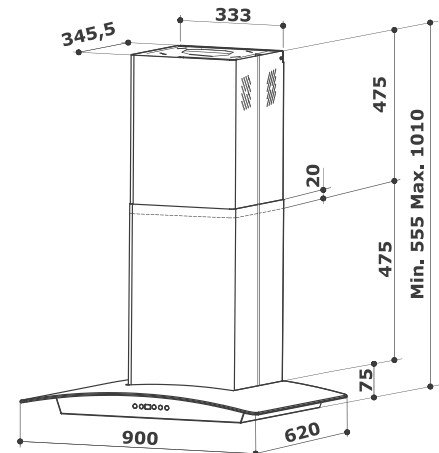


Black Inox White

## > GLASS COLORS



Black White

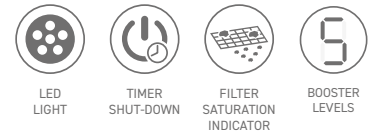






# Sereno Isola

LDI24



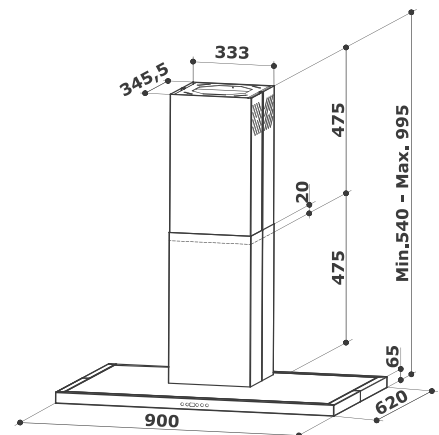
## > MAIN FEATURES

- **Dimension:** 90 cm
- **Installation:** Island
- **Control:** Soft Touch with Display (Double Side)
- **Speed:** 5
- **Lighting:** 2x2W LED Spot
- **Filter:** Aluminium (Dishwasher Safe)
- **Air Outlet:** 150 mm
- **Chimney:** Adjustable & Double
- **Filter Saturation Indicator:** Yes
- **Timer:** 15 Mins
- **Noise Level:** min 51dB - max 68dB
- **Airflow Capacity (DIN EN 61591):** min 250 m<sup>3</sup>/h - max 615 m<sup>3</sup>/h
- **Airflow Capacity (Free Flow):** 850 m<sup>3</sup>/h
- **Motor:** 200 Watt Blower Type
- **Energy Class:** C
- **Package Dimensions (WxDxH):** 98x71x63 cm
- **MOQ:** 25 Pcs
- **20DC/40HC/Truck:** 60 Pcs / 144 Pcs / 180 Pcs

## > OPTIONAL FEATURES

- Carbon Filter Set
- 700 m<sup>3</sup>/h - 210 Watt Blower Motor (A class energy)
- 750 m<sup>3</sup>/h - 210 Watt Blower Motor (B class energy)
- Baffle Filter

## > COLOR OPTIONS





# Doppio Isola

LDI23



LED  
LIGHT



TIMER  
SHUT-DOWN



FILTER  
SATURATION  
INDICATOR



BOOSTER  
LEVELS

## > MAIN FEATURES

- **Dimension:** 90 cm
- **Installation:** Island
- **Control:** Soft Touch with Display (Double Side)
- **Speed:** 5
- **Lighting:** 4x2W LED Spot
- **Filter:** Aluminium (Dishwasher Safe)
- **Air Outlet:** 150 mm
- **Chimney:** Adjustable & Double
- **Filter Saturation Indicator:** Yes
- **Timer:** 15 Mins
- **Noise Level:** min 51dB - max 68dB
- **Airflow Capacity (DIN EN 61591):** min 250 m<sup>3</sup>/h - max 615 m<sup>3</sup>/h
- **Airflow Capacity (Free Flow):** 850 m<sup>3</sup>/h
- **Motor:** 200 Watt Blower Type
- **Energy Class:** C
- **Package Dimensions (WxDxH):** 98x71x63 cm
- **MOQ:** 25 Pcs
- **20DC/40HC/Truck:** 60 Pcs / 144 Pcs / 180 Pcs

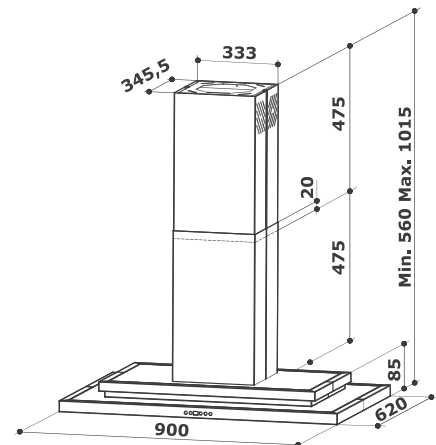
## > OPTIONAL FEATURES

- Carbon Filter Set
- 700 m<sup>3</sup>/h - 210 Watt Blower Motor (A class energy)
- 750 m<sup>3</sup>/h - 210 Watt Blower Motor (B class energy)
- Baffle Filter

## > COLOR OPTIONS



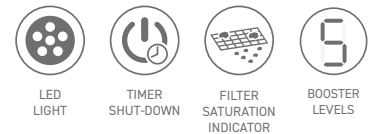
Black    Inox    White





# FormaT S Isola

LDI36B



## > MAIN FEATURES

- **Dimension:** 90 cm
- **Installation:** Island
- **Control:** Touch with Display (Double Side)
- **Speed:** 5
- **Lighting:** 4x2W LED Spot
- **Filter:** Aluminium (Dishwasher Safe)
- **Air Outlet:** 150 mm
- **Chimney:** Adjustable & Double
- **Filter Saturation Indicator:** Yes
- **Timer:** 15 Mins
- **Noise Level:** min 51dB - max 68dB
- **Airflow Capacity (DIN EN 61591):** min 250 m³/h - max 615 m³/h
- **Airflow Capacity (Free Flow):** 850 m³/h
- **Motor:** 200 Watt Blower Type
- **Energy Class:** C
- **Package Dimensions (WxDxH):** 98x71x63 cm
- **MOQ:** 25 Pcs
- **20DC/40HC/Truck:** 60 Pcs / 144 Pcs / 180 Pcs

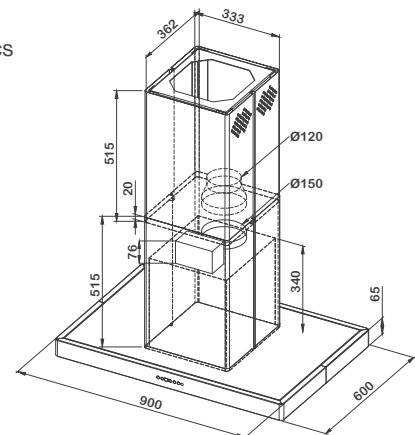
## > OPTIONAL FEATURES

- Carbon Filter Set
- Remote Control
- 700 m³/h - 210 Watt Blower Motor (A class energy)
- 750 m³/h - 210 Watt Blower Motor (B class energy)
- Baffle Filter

## > COLOR OPTIONS



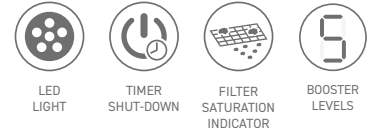
## > GLASS COLORS





# Piano S Isola

LDI96



## > MAIN FEATURES

- **Dimension:** 90 cm
- **Installation:** Island
- **Control:** Touch with Display (Double Side)
- **Speed:** 5
- **Lighting:** 4x2W LED Spot
- **Filter:** Aluminium (Dishwasher Safe)
- **Air Outlet:** 150 mm
- **Chimney:** Adjustable & Double
- **Filter Saturation Indicator:** Yes
- **Timer:** 15 Mins
- **Noise Level:** min 51dB - max 68dB
- **Airflow Capacity (DIN EN 61591):** min 250 m<sup>3</sup>/h - max 615 m<sup>3</sup>/h
- **Airflow Capacity (Free Flow):** 850 m<sup>3</sup>/h
- **Motor:** 200 Watt Blower Type
- **Energy Class:** C
- **Package Dimensions (WxDxH):** 98x71x63 cm
- **MOQ:** 25 Pcs
- **20DC/40HC/Truck:** 60 Pcs / 144 Pcs / 180 Pcs

## > OPTIONAL FEATURES

- Carbon Filter Set
- Remote Control
- 700 m<sup>3</sup>/h - 210 Watt Blower Motor (A class energy)
- Baffle Filter

## > COLOR OPTIONS

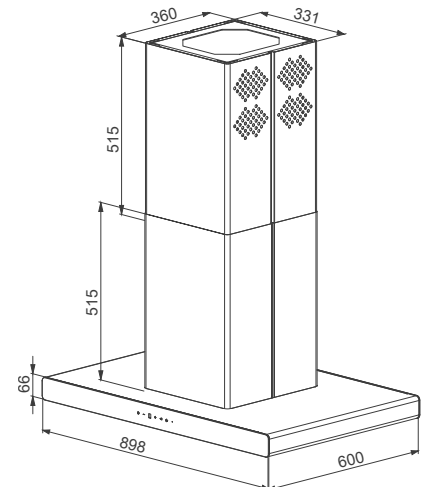


Black Inox White

## > GLASS COLORS



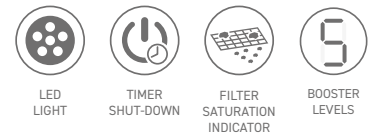
Black White





# Tergola Isola

LDI32



## > MAIN FEATURES

- **Dimension:** 90 cm
- **Installation:** Island
- **Control:** Touch
- **Speed:** 3
- **Lighting:** 2x2W LED Spot
- **Filter:** Aluminium (Dishwasher Safe)
- **Air Outlet:** 150 mm
- **Chimney:** Adjustable & Double
- **Timer:** 5 Mins
- **Noise Level:** min 55dB - max 65dB
- **Airflow Capacity (DIN EN 61591):** min 245 m<sup>3</sup>/h - max 455 m<sup>3</sup>/h
- **Airflow Capacity (Free Flow):** 550 m<sup>3</sup>/h
- **Motor:** 140 Watt Blower Type
- **Energy Class:** D
- **Package Dimensions (WxDxH):** 98x61x63 cm
- **MOQ:** 25 Pcs
- **20DC/40HC/Truck:** 63 Pcs / 176 Pcs / 224 Pcs

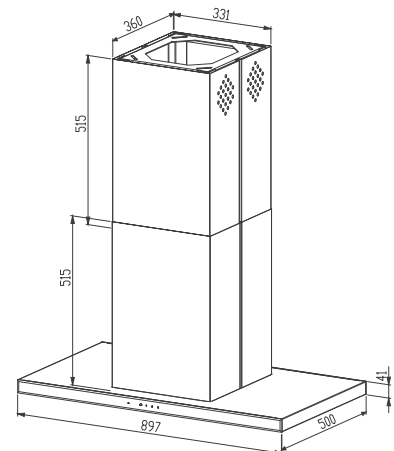
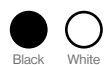
## > OPTIONAL FEATURES

- Carbon Filter Set
- Remote Control
- 700 m<sup>3</sup>/h - 210 Watt Blower Motor (A class energy)
- 750 m<sup>3</sup>/h - 210 Watt Blower Motor (B class energy)
- 850 m<sup>3</sup>/h - 200 Watt Blower Motor (C class energy)
- Baffle Filter

## > COLOR OPTIONS



## > GLASS COLORS





# Lustre

LDI92



LED  
LIGHT



TIMER  
SHUT-DOWN



FILTER  
SATURATION  
INDICATOR



BOOSTER  
LEVELS

## > MAIN FEATURES

- **Dimension:** 47 cm
- **Installation:** Island
- **Control:** Touch with Display
- **Speed:** 3
- **Lighting:** 2x2W LED Spot
- **Filter:** Aluminium (Dishwasher Safe)
- **Air Outlet:** 150 mm
- **Chimney:** Adjustable & Double
- **Timer:** 5 Mins
- **Noise Level:** min 55dB - max 65dB
- **Airflow Capacity (DIN EN 61591):** min 245 m<sup>3</sup>/h - max 455 m<sup>3</sup>/h
- **Airflow Capacity (Free Flow):** 550 m<sup>3</sup>/h
- **Motor:** 140 Watt Blower Type
- **Energy Class:** D
- **Package Dimensions (WxDxH):** 55x50x60 cm
- **MOQ:** 25 Pcs
- **20DC/40HC/Truck:** 132 Pcs / 384 Pcs / 432 Pcs

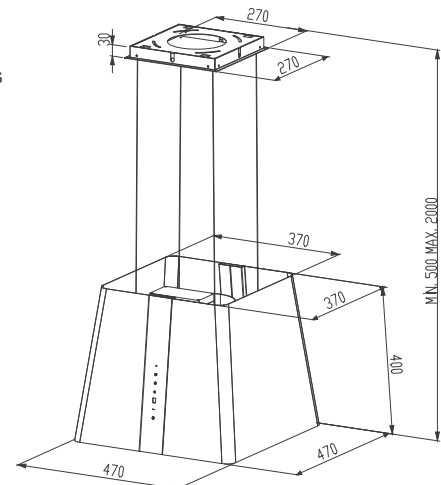
## > OPTIONAL FEATURES

- Carbon Filter Set
- Remote Control
- 700 m<sup>3</sup>/h - 210 Watt Blower Motor (A class energy)
- 750 m<sup>3</sup>/h - 210 Watt Blower Motor (B class energy)
- 850 m<sup>3</sup>/h - 200 Watt Blower Motor (C class energy) / 5 SPEEDS

## > COLOR OPTIONS



Sea Green





# CYLINDER HOODS



# Rotolo Isola

LDI40 X GL



LED  
LIGHT



TIMER  
SHUT-DOWN



FILTER  
SATURATION  
INDICATOR



BOOSTER  
LEVELS

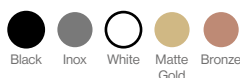
## > MAIN FEATURES

- **Dimension:** Ø40 cm / Height: 90 cm
- **Installation:** Island
- **Control:** Flat Push Button
- **Speed:** 3
- **Lighting:** 2x2W LED Spot
- **Filter:** Aluminium (Dishwasher Safe)
- **Air Outlet:** 150 mm
- **Chimney:** Telescopic
- **Noise Level:** min 55dB - max 65dB
- **Airflow Capacity (DIN EN 61591):** min 245 m<sup>3</sup>/h - max 455 m<sup>3</sup>/h
- **Airflow Capacity (Free Flow):** 550 m<sup>3</sup>/h
- **Motor:** 140 Watt Blower Type
- **Energy Class:** D
- **Package Dimensions (WxDxH):** 55x50x100 cm
- **MOQ:** 25 Pcs
- **20DC/40HC/Truck:** 88 Pcs / 240 Pcs / 270 Pcs

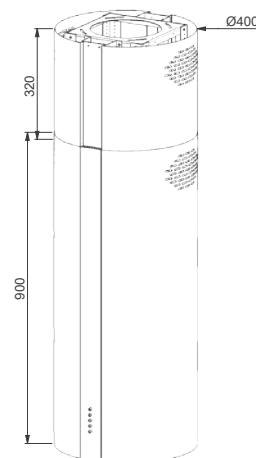
## > OPTIONAL FEATURES

- Carbon Filter Set
- 700 m<sup>3</sup>/h - 210 Watt Blower Motor (A class energy)
- 750 m<sup>3</sup>/h - 210 Watt Blower Motor (B class energy)
- 850 m<sup>3</sup>/h - 200 Watt Blower Motor (C class energy)

## > COLOR OPTIONS



Black   Inox   White   Matte Gold   Bronze

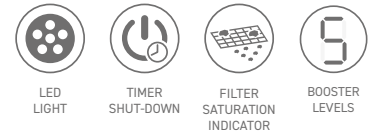






# Rotolo S Isola

LDI40-03 GOLD



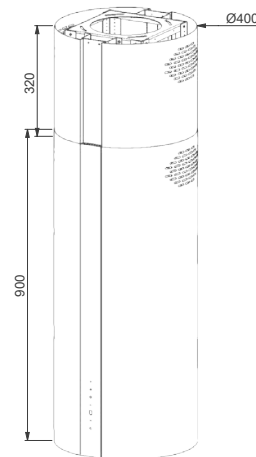
## > MAIN FEATURES

- **Dimension:** Ø40 cm / Height: 90 cm
- **Installation:** Island
- **Control:** Touch With Display
- **Speed:** 5
- **Lighting:** 2x2W LED Spot
- **Filter:** Aluminium (Dishwasher Safe)
- **Air Outlet:** 150 mm
- **Chimney:** Telescopic
- **Filter Saturation Indicator:** Yes
- **Timer:** 15 Mins
- **Noise Level:** min 51dB - max 68dB
- **Airflow Capacity (DIN EN 61591):** min 250 m³/h - max 615 m³/h
- **Airflow Capacity (Free Flow):** 850 m³/h
- **Motor:** 200 Watt Blower Type
- **Energy Class:** C
- **Package Dimensions (WxDxH):** 55x50x100 cm
- **MOQ:** 25 Pcs
- **20DC/40HC/Truck:** 88 Pcs / 240 Pcs / 270 Pcs

## > OPTIONAL FEATURES

- Carbon Filter Set
- Remote control
- 700 m³/h - 210 Watt Blower Motor (A class energy)
- 750 m³/h - 210 Watt Blower Motor (B class energy)

## > COLOR OPTIONS





# Rotolo Vetro

## LD40 X GL



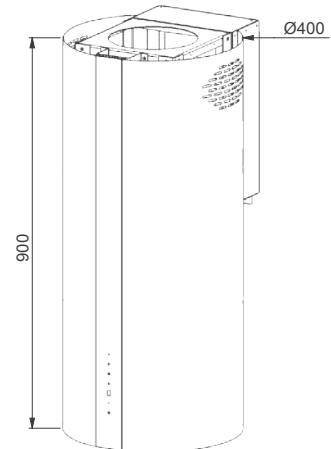
### > MAIN FEATURES

- **Dimension:** Ø40 cm / Height: 90 cm
- **Installation:** Wall Type
- **Control:** Flat Push Button
- **Speed:** 3
- **Lighting:** 2x2W LED Spot
- **Filter:** Aluminium (Dishwasher Safe)
- **Air Outlet:** 150 mm
- **Noise Level:** min 55dB - max 65dB
- **Airflow Capacity (DIN EN 61591):** min 245 m<sup>3</sup>/h - max 455 m<sup>3</sup>/h
- **Airflow Capacity (Free Flow):** 550 m<sup>3</sup>/h
- **Motor:** 140 Watt Blower Type
- **Energy Class:** D
- **Package Dimensions (WxDxH):** 55x50x100 cm
- **MOQ:** 50 Pcs
- **20DC/40HC/Truck:** 88 Pcs / 240 Pcs / 270 Pcs

### > OPTIONAL FEATURES

- Carbon Filter Set
- 700 m<sup>3</sup>/h - 210 Watt Blower Motor (A class energy)
- 750 m<sup>3</sup>/h - 210 Watt Blower Motor (B class energy)
- 850 m<sup>3</sup>/h - 200 Watt Blower Motor (C class energy)

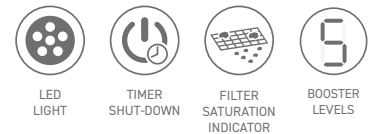
### > COLOR OPTIONS





# Rotolo S

## LD40X-03



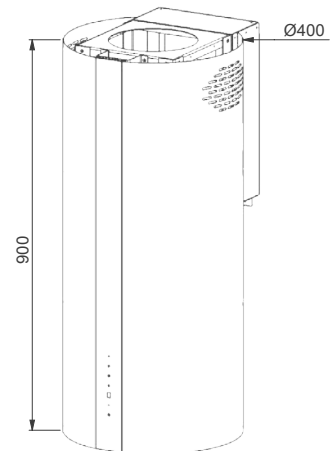
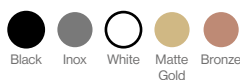
### > MAIN FEATURES

- **Dimension:** Ø40 cm / Height: 90 cm
- **Installation:** Wall Type
- **Control:** Touch With Display
- **Speed:** 3
- **Lighting:** 2x2W LED Spot
- **Filter:** Aluminium (Dishwasher Safe)
- **Air Outlet:** 150 mm
- **Filter Saturation Indicator:** Yes
- **Timer:** 15 Mins
- **Noise Level:** min 55dB - max 65dB
- **Airflow Capacity (DIN EN 61591):** min 245 m³/h - max 455 m³/h
- **Airflow Capacity (Free Flow):** 550 m³/h
- **Motor:** 140 Watt Blower Type
- **Energy Class:** D
- **Package Dimensions (WxDxH):** 55x50x100 cm
- **MOQ:** 50 Pcs
- **20DC/40HC/Truck:** 88 Pcs / 240 Pcs / 270 Pcs

### > OPTIONAL FEATURES

- Carbon Filter Set
- Remote Control
- 700 m³/h - 210 Watt Blower Motor (A class energy)
- 750 m³/h - 210 Watt Blower Motor (B class energy)
- 850 m³/h - 200 Watt Blower Motor (C class energy)

### > COLOR OPTIONS





# Flauto

LD19



LED  
LIGHT



TIMER  
SHUT-DOWN



FILTER  
SATURATION  
INDICATOR



BOOSTER  
LEVELS

## > MAIN FEATURES

- **Dimension:** Ø40 cm / Height: 50 cm
- **Installation:** Wall Type
- **Control:** Flat Push Button
- **Speed:** 3
- **Lighting:** 2x2W LED Spot
- **Filter:** Aluminium (Dishwasher Safe)
- **Air Outlet:** 150 mm
- **Noise Level:** min 55dB - max 65dB
- **Airflow Capacity (DIN EN 61591):** min 245 m<sup>3</sup>/h - max 455 m<sup>3</sup>/h
- **Airflow Capacity (Free Flow):** 550 m<sup>3</sup>/h
- **Motor:** 140 Watt Blower Type
- **Energy Class:** D
- **Package Dimensions (WxDxH):** 55x50x60 cm
- **MOQ:** 50 Pcs
- **20DC/40HC/Truck:** 132 Pcs / 384 Pcs / 432 Pcs

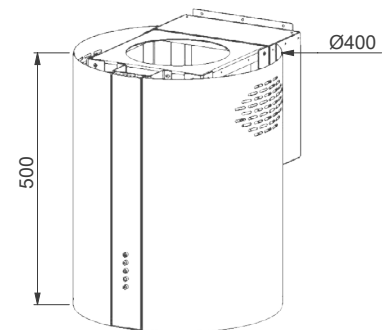
## > OPTIONAL FEATURES

- Carbon Filter Set
- 700 m<sup>3</sup>/h - 210 Watt Blower Motor (A class energy)
- 750 m<sup>3</sup>/h - 210 Watt Blower Motor (B class energy)
- 850 m<sup>3</sup>/h - 200 Watt Blower Motor (C class energy)

## > COLOR OPTIONS



Black Inox White Matte Gold Bronze

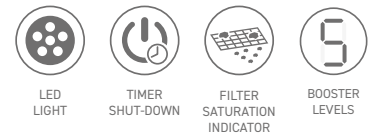




CYLINDER HOODS

# Flauto Vetro

## LD19 BRZ GL



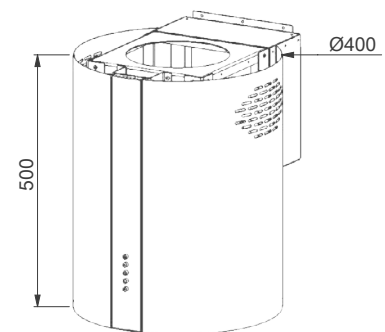
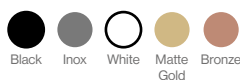
### > MAIN FEATURES

- **Dimension:** Ø40 cm / Height: 50 cm
- **Installation:** Wall Type
- **Control:** Flat Push Button
- **Speed:** 3
- **Lighting:** 2x2W LED Spot
- **Filter:** Aluminium (Dishwasher Safe)
- **Air Outlet:** 150 mm
- **Noise Level:** min 55dB - max 65dB
- **Airflow Capacity (DIN EN 61591):** min 245 m<sup>3</sup>/h - max 455 m<sup>3</sup>/h
- **Airflow Capacity (Free Flow):** 550 m<sup>3</sup>/h
- **Motor:** 140 Watt Blower Type
- **Energy Class:** D
- **Package Dimensions (WxDxH):** 55x50x60 cm
- **MOQ:** 50 Pcs
- **20DC/40HC/Truck:** 132 Pcs / 384 Pcs / 432 Pcs

### > OPTIONAL FEATURES

- Carbon Filter Set
- 700 m<sup>3</sup>/h - 210 Watt Blower Motor (A class energy)
- 750 m<sup>3</sup>/h - 210 Watt Blower Motor (B class energy)
- 850 m<sup>3</sup>/h - 200 Watt Blower Motor (C class energy)

### > COLOR OPTIONS





# Cista

## LD61



LED LIGHT



TIMER SHUT-DOWN



FILTER SATURATION INDICATOR



BOOSTER LEVELS

### > MAIN FEATURES

- **Dimension:** 40 cm / Height: 50 cm
- **Installation:** Wall Type
- **Control:** Soft Touch with Display
- **Speed:** 3
- **Lighting:** 2X2W LED Spot
- **Filter:** Aluminium (Dishwasher Safe)
- **Air Outlet:** 150 mm
- **Filter Saturation Indicator:** Yes
- **Timer:** 15 Mins
- **Noise Level:** min 55dB - max 65dB
- **Airflow Capacity (DIN EN 61591):** min 245 m<sup>3</sup>/h - max 455 m<sup>3</sup>/h
- **Airflow Capacity (Free Flow):** 550 m<sup>3</sup>/h
- **Motor:** 140 Watt Blower Type
- **Energy Class:** D
- **Package Dimensions (WxDxH):** 55x50x60 cm
- **MOQ:** 50 Pcs
- **20DC/40HC/Truck:** 132 Pcs / 384 Pcs / 432 Pcs

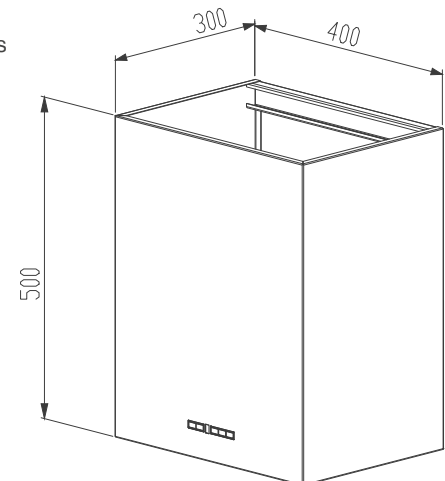
### > OPTIONAL FEATURES

- Carbon Filter Set
- 700 m<sup>3</sup>/h - 210 Watt Blower Motor (A class energy)
- 750 m<sup>3</sup>/h - 210 Watt Blower Motor (B class energy)
- 850 m<sup>3</sup>/h - 200 Watt Blower Motor (C class energy) / 5 SPEEDS

### > COLOR OPTIONS



Black    Inox    White





CYLINDER HOODS

# 2 IN 1



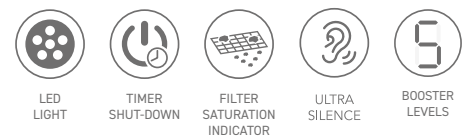
- No more looking for a separate place for TV on your walls!
- No more making holes in your walls, no more using apparatus!
- No more watching from one angle!
- With its patented unique design, it is the latest in old technologies!
- No more old technologies with patented unique design!
- Can be used With / Without Chimney!
- Movable steam steering panel!
- Movable screen that can move left-right, up-down with its special mechanism!
- The TV unit is 100% insulated against moisture, steam, liquid and flame contact.
- Heat resistant tempered glass surface that provides easy maintenance and cleaning!





# TV HOOD

## SMART TV HOOD

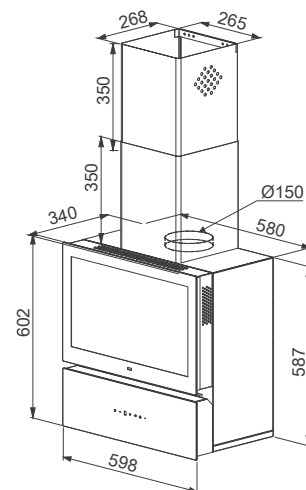


### > MAIN FEATURES

- 60 cm Kitchen Smart TV Cooker Hood
- Touch control with Display
- 5 Speed
- 2x2 Watt LED Spots
- Cassette Type Dishwasher Safe Aluminum Filters
- Energy Class: A
- Free Flow Extraction Power: 962-986 m3/h (Radialitic Silence Motor)
- Package Dimensions(WxDxH): 78x62x44
- Nano Carbon Filter
- Auto Shut Down Timer
- Filter Saturation Indicator
- Remote Control
- Piston Hinge
- 24inc TV With Receiver (USB,HDMI)
- Adjustable TV Direction

### > OPTIONAL FEATURES

- 90 cm







# DOWNDRAFT HOOD



# Sollevare

LH 111GX



LED  
LIGHT



TIMER  
SHUT-DOWN



ULTRA  
SILENCE



BOOSTER  
LEVELS

## > MAIN FEATURES

- **Dimension:** 87,5 cm
- **Cut Out Dimensions:** 100x 842 mm
- **Installation:** Countertop
- **Control:** Touch
- **Speed:** 4
- **Lighting:** 1x5W LED Strip
- **Filter:** Anodized Aluminium (4+1 Layers)
- **Anti crushing Safety System:** Yes
- **Timer:** 15 Mins
- **Noise Level:** min 39dB - max 58dB (68dB at boost level)
- **Airflow Capacity Min.-Max:** 280-612 m<sup>3</sup>/h
- **Airflow Capacity Boost Level:** 791 m<sup>3</sup>/h
- **Motor:** On Board
- **Energy Class:** A
- **MOQ:** 5 Pcs

## > GLASS COLORS

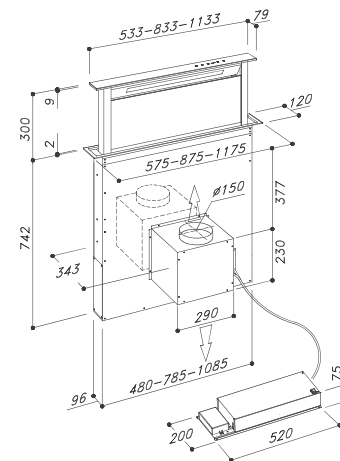


Black Glass

## > COLOR OPTIONS

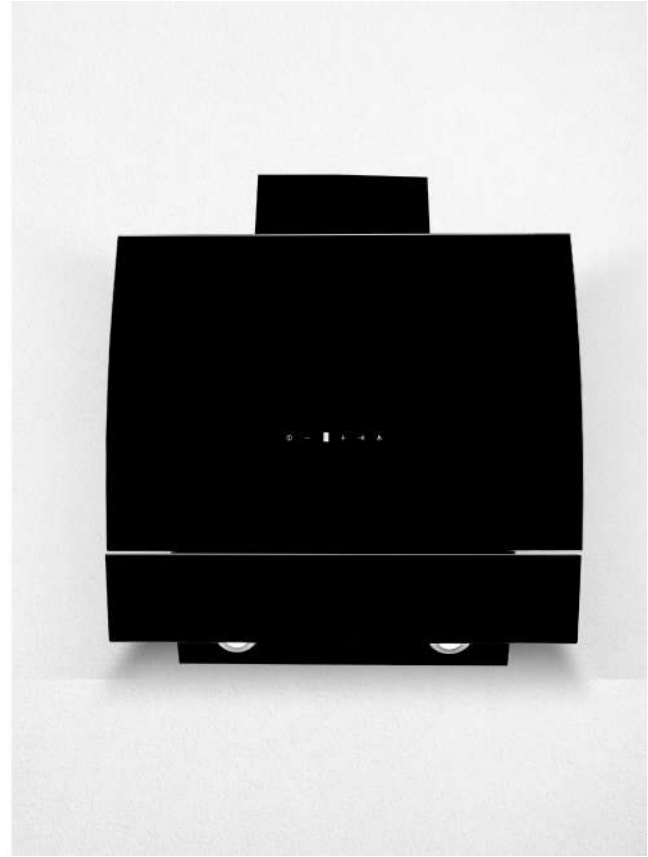


Inox AISI304





# INCLINED HOODS



# Automatic

LD99



60-90  
CM



TOUCH  
CONTROL



LED  
LIGHT



TIMER  
SHUT-DOWN



FILTER  
SATURATION  
INDICATOR



AUTOMATIC  
OPEN



REMOTE  
CONTROL

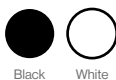
## > MAIN FEATURES

- **Dimension:** 60 cm
- **Installation:** Wall Type
- **Control:** Touch with Display
- **Speed:** 3
- **Auto Intelligent Opening:** Yes
- **Lighting:** 2x2W LED Spot
- **Filter:** Aluminium (Dishwasher Safe)
- **Air Outlet:** 150 mm
- **Chimney:** Adjustable & Double
- **Filter Saturation Indicator:** Yes
- **Timer:** 15 Mins

## > OPTIONAL FEATURES

- Carbon Filter Set
- 90 cm
- Remote Control

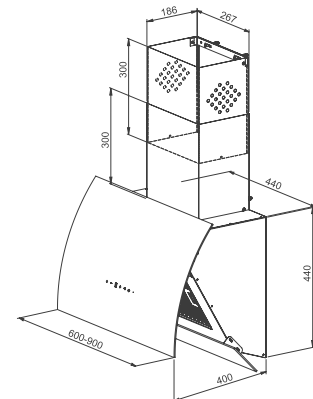
## > GLASS COLORS



Black White

- **Piston Hinge:** Yes
- **Noise Level:** min 55dB - max 65dB
- **Airflow Capacity (DIN EN 61591):** min 245 m<sup>3</sup>/h - max 455 m<sup>3</sup>/h
- **Airflow Capacity (Free Flow):** 550 m<sup>3</sup>/h
- **Motor:** 140 Watt Blower Type
- **Energy Class:** D
- **Package Dimensions (WxDxH):** 65x55x52 cm
- **MOQ:** 50 Pcs
- **20DC/40HC/Truck:** 144 Pcs / 304 Pcs / 440 Pcs

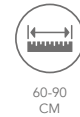
- 700 m<sup>3</sup>/h - 210 Watt Blower Motor (A class energy)
- 750 m<sup>3</sup>/h - 210 Watt Blower Motor (B class energy)
- 850 m<sup>3</sup>/h - 200 Watt Blower Motor (C class energy) / 5 SPEEDS





# Morbido

## LD75



60-90  
CM



LED  
LIGHT



TIMER  
SHUT-DOWN



FILTER  
SATURATION  
INDICATOR



BOOSTER  
LEVELS

### > MAIN FEATURES

- **Dimension:** 60 cm
- **Installation:** Wall Type
- **Control:** Touch with Display
- **Speed:** 3
- **Lighting:** 2x2W LED Spot
- **Filter:** Aluminium (Dishwasher Safe)
- **Air Outlet:** 150 mm
- **Chimney:** Adjustable & Double
- **Filter Saturation Indicator:** Yes
- **Timer:** 15 Mins

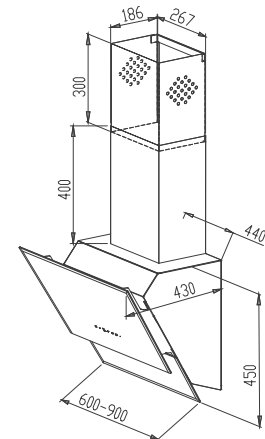
- **Piston Hinge:** Yes (Soft Opening/Closing)
- **Noise Level:** min 55dB - max 65dB
- **Airflow Capacity (DIN EN 61591):** min 245 m<sup>3</sup>/h - max 455 m<sup>3</sup>/h
- **Airflow Capacity (Free Flow):** 550 m<sup>3</sup>/h
- **Motor:** 140 Watt Blower Type
- **Energy Class:** D
- **Package Dimensions (WxDxH):** 65x55x52 cm
- **MOQ:** 50 Pcs
- **20DC/40HC/Truck:** 148 Pcs / 375 Pcs / 440 Pcs

### > OPTIONAL FEATURES

- Carbon Filter Set
- 90 cm
- Remote Control
- 700 m<sup>3</sup>/h - 210 Watt Blower Motor (A class energy)

- 750 m<sup>3</sup>/h - 210 Watt Blower Motor (B class energy)
- 850 m<sup>3</sup>/h - 200 Watt Blower Motor (C class energy) / 5 SPEEDS

### > GLASS COLORS



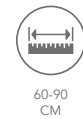






# Singola

LD55CC



60-90  
CM



LED  
LIGHT



3  
BOOSTER  
LEVELS

## > MAIN FEATURES

- **Dimension:** 60 cm
- **Installation:** Wall Type
- **Control:** Touch
- **Speed:** 3
- **Lighting:** 2x1W LED Spot
- **Filter:** Aluminium (Dishwasher Safe)
- **Air Outlet:** 120 mm
- **Chimney:** Adjustable & Double
- **Timer:** 5 Mins
- **Piston Hinge:** Yes
- **Noise Level:** min 53dB - max 63dB
- **Airflow Capacity (DIN EN 61591):** min 125 m<sup>3</sup>/h - max 250 m<sup>3</sup>/h
- **Airflow Capacity (Free Flow):** 400 m<sup>3</sup>/h
- **Motor:** 110 Watt Blower Type
- **Energy Class:** D
- **Package Dimensions (WxDxH):** 63x42x48 cm
- **MOQ:** 50 Pcs
- **20DC/40HC/Truck:** 200 Pcs / 510 Pcs / 606 Pcs

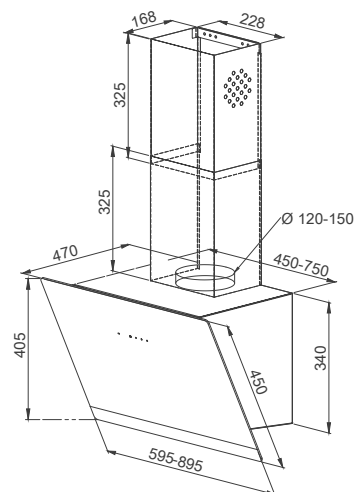
## > OPTIONAL FEATURES

- Carbon Filter Set
- 90 cm
- Remote Control
- 550 m<sup>3</sup>/h - 140 Watt Blower Motor (D class energy)
- 700 m<sup>3</sup>/h - 210 Watt Blower Motor (A class energy)
- 750 m<sup>3</sup>/h - 210 Watt Blower Motor (B class energy)
- 850 m<sup>3</sup>/h - 200 Watt Blower Motor (C class energy)

## > GLASS COLORS



Black Grey Beige White





# Singola Sub

## LD55 VR2

60-90  
CMLED  
LIGHTBOOSTER  
LEVELS

### > MAIN FEATURES

- **Dimension:** 60 cm
- **Installation:** Wall Type
- **Control:** Hidden Push Button
- **Speed:** 3
- **Lighting:** 1x5W LED Spot
- **Filter:** Aluminium (Dishwasher Safe)
- **Air Outlet:** 120 mm
- **Chimney:** Adjustable & Double
- **Noise Level:** min 53dB - max 63dB
- **Airflow Capacity (DIN EN 61591):** min 125 m<sup>3</sup>/h - max 250 m<sup>3</sup>/h
- **Airflow Capacity (Free Flow):** 400 m<sup>3</sup>/h
- **Motor:** 110 Watt Blower Type
- **Energy Class:** D
- **Package Dimensions (WxDxH):** 63x42x48 cm
- **MOQ:** 50 Pcs
- **20DC/40HC/Truck:** 200 Pcs / 510 Pcs / 606 Pcs

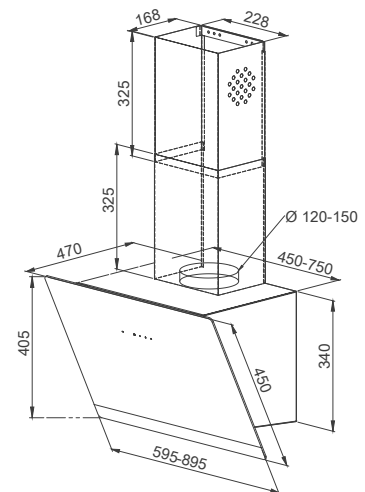
### > OPTIONAL FEATURES

- Carbon Filter Set
- 90 cm
- Piston Hinge
- 550 m<sup>3</sup>/h - 140 Watt Blower Motor (D class energy)
- 700 m<sup>3</sup>/h - 210 Watt Blower Motor (A class energy)
- 750 m<sup>3</sup>/h - 210 Watt Blower Motor (B class energy)
- 850 m<sup>3</sup>/h - 200 Watt Blower Motor (C class energy)

### > GLASS COLORS



Black Grey Beige White





# Vitrox

LD74



60-90  
CM



LED  
LIGHT



TIMER  
SHUT-DOWN



FILTER  
SATURATION  
INDICATOR



3  
BOOSTER  
LEVELS

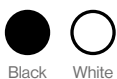
## > MAIN FEATURES

- **Dimension:** 60 cm
- **Installation:** Wall Type
- **Control:** Touch with Display
- **Speed:** 3
- **Lighting:** 2x2W LED Spot
- **Filter:** Aluminium (Dishwasher Safe)
- **Air Outlet:** 150 mm
- **Chimney:** Adjustable & Double
- **Filter Saturation Indicator:** Yes
- **Timer:** 15 Mins
- **Piston Hinge:** Yes
- **Noise Level:** min 55dB - max 65dB
- **Airflow Capacity (DIN EN 61591):** min 245 m³/h - max 455 m³/h
- **Airflow Capacity (Free Flow):** 550 m³/h
- **Motor:** 140 Watt Blower Type
- **Energy Class:** D
- **Package Dimensions (WxDxH):** 68x52x50 cm
- **MOQ:** 50 Pcs
- **20DC/40HC/Truck:** 108 Pcs / 272 Pcs / 328 Pcs

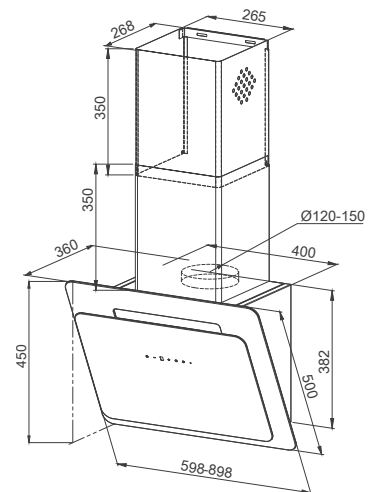
## > OPTIONAL FEATURES

- Carbon Filter Set
- 90 cm
- Remote Control
- 700 m³/h - 210 Watt Blower Motor (A class energy)
- 750 m³/h - 210 Watt Blower Motor (B class energy)
- 850 m³/h - 200 Watt Blower Motor (C class energy) / 5 SPEEDS

## > GLASS COLORS



Black White





# Strati

LD51



60-90  
CM



LED  
LIGHT



TIMER  
SHUT-DOWN



FILTER  
SATURATION  
INDICATOR



BOOSTER  
LEVELS

## > MAIN FEATURES

- **Dimension:** 60 cm
- **Installation:** Wall Type
- **Control:** Touch with Display
- **Speed:** 3
- **Lighting:** 2x2W LED Spot
- **Filter:** Aluminium (Dishwasher Safe)
- **Air Outlet:** 150 mm
- **Chimney:** Adjustable & Double
- **Filter Saturation Indicator:** Yes
- **Timer:** 15 Mins
- **Piston Hinge:** Yes
- **Noise Level:** min 55dB - max 65dB
- **Airflow Capacity (DIN EN 61591):** min 245 m<sup>3</sup>/h - max 455 m<sup>3</sup>/h
- **Airflow Capacity (Free Flow):** 550 m<sup>3</sup>/h
- **Motor:** 140 Watt Blower Type
- **Energy Class:** D
- **Package Dimensions (WxDxH):** 68x52x50 cm
- **MOQ:** 50 Pcs
- **20DC/40HC/Truck:** 108 Pcs / 272 Pcs / 328 Pcs

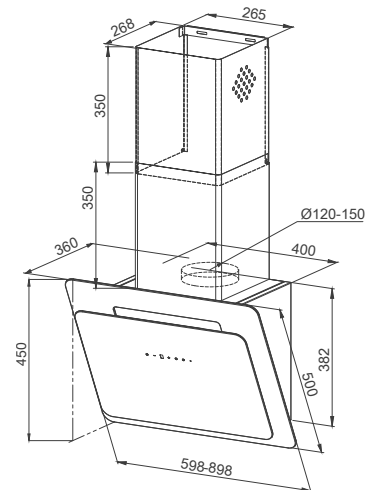
## > OPTIONAL FEATURES

- Carbon Filter Set
- 90 cm
- Remote Control
- 700 m<sup>3</sup>/h - 210 Watt Blower Motor (A class energy)
- 750 m<sup>3</sup>/h - 210 Watt Blower Motor (B class energy)
- 850 m<sup>3</sup>/h - 200 Watt Blower Motor (C class energy) / 5 SPEEDS

## > GLASS COLORS



Black Grey Beige White





INCLINED HOODS



# Galba

## LD50CC

60-90  
CMLED  
LIGHTBOOSTER  
LEVELS

### > MAIN FEATURES

- **Dimension:** 60 cm
- **Installation:** Wall Type
- **Control:** Touch
- **Speed:** 3
- **Lighting:** 2x2W LED Spot
- **Filter:** Aluminium (Dishwasher Safe)
- **Air Outlet:** 150 mm
- **Chimney:** Adjustable & Double
- **Timer:** 5 Mins
- **Piston Hinge:** Yes
- **Noise Level:** min 55dB - max 65dB
- **Airflow Capacity (DIN EN 61591):** min 245 m<sup>3</sup>/h - max 455 m<sup>3</sup>/h
- **Airflow Capacity (Free Flow):** 550 m<sup>3</sup>/h
- **Motor:** 140 Watt Blower Type
- **Energy Class:** D
- **Package Dimensions (WxDxH):** 68x57x59 cm
- **MOQ:** 50 Pcs
- **20DC/40HC/Truck:** 108 Pcs / 272 Pcs / 328 Pcs

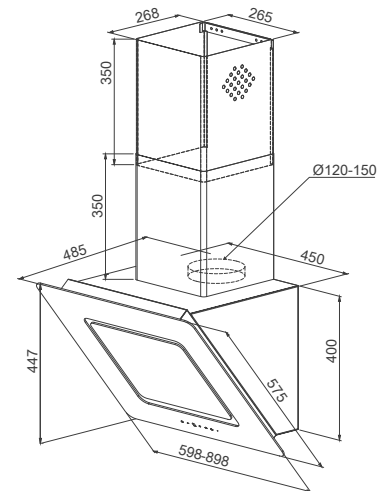
### > OPTIONAL FEATURES

- Carbon Filter Set
- 90 cm
- Remote Control
- 700 m<sup>3</sup>/h - 210 Watt Blower Motor (A class energy)
- 750 m<sup>3</sup>/h - 210 Watt Blower Motor (B class energy)
- 850 m<sup>3</sup>/h - 200 Watt Blower Motor (C class energy)

### > GLASS COLORS



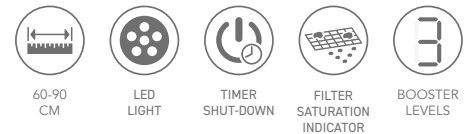
Black Grey Beige White





# Luxo

## LD48-X



### > MAIN FEATURES

- **Dimension:** 60 cm
- **Installation:** Wall Type
- **Control:** Soft Touch with Display
- **Speed:** 3
- **Lighting:** 2x2W LED Spot
- **Filter:** Aluminium (Dishwasher Safe)
- **Air Outlet:** 150 mm
- **Chimney:** Adjustable & Double
- **Filter Saturation Indicator:** Yes
- **Timer:** 5 Mins

- **Piston Hinge:** Yes
- **Noise Level:** min 55dB - max 65dB
- **Airflow Capacity (DIN EN 61591):** min 245 m³/h - max 455 m³/h
- **Airflow Capacity (Free Flow):** 550 m³/h
- **Motor:** 140 Watt Blower Type
- **Energy Class:** D
- **Package Dimensions (WxDxH):** 70x71x63 cm
- **MOQ:** 50 Pcs
- **20DC/40HC/Truck:** 108 Pcs / 272 Pcs / 328 Pcs

### > OPTIONAL FEATURES

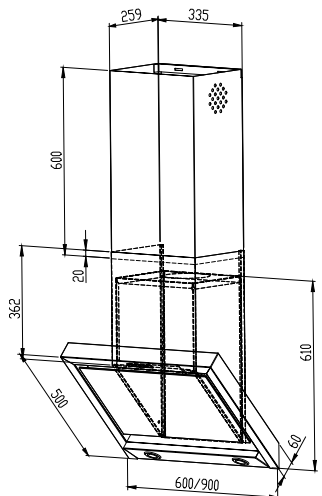
- Carbon Filter Set
- 90 cm
- Remote Control

- 700 m³/h - 210 Watt Blower Motor (A class energy)
- 750 m³/h - 210 Watt Blower Motor (B class energy)
- 850 m³/h - 200 Watt Blower Motor (C class energy)

### > COLOR OPTIONS



Inox





# Luxo Vetro

LD48-GL



60-90  
CM



LED  
LIGHT



TIMER  
SHUT-DOWN



FILTER  
SATURATION  
INDICATOR



BOOSTER  
LEVELS

## > MAIN FEATURES

- **Dimension:** 60 cm
- **Installation:** Wall Type
- **Control:** Soft Touch with Display
- **Speed:** 3
- **Lighting:** 2x2W LED Spot
- **Filter:** Aluminium (Dishwasher Safe)
- **Air Outlet:** 150 mm
- **Chimney:** Adjustable & Double
- **Filter Saturation Indicator:** Yes
- **Timer:** 5 Mins

- **Piston Hinge:** Yes
- **Noise Level:** min 55dB - max 65dB
- **Airflow Capacity (DIN EN 61591):** min 245 m<sup>3</sup>/h - max 455 m<sup>3</sup>/h
- **Airflow Capacity (Free Flow):** 550 m<sup>3</sup>/h
- **Motor:** 140 Watt Blower Type
- **Energy Class:** D
- **Package Dimensions (WxDxH):** 70x71x63 cm
- **MOQ:** 50 Pcs
- **20DC/40HC/Truck:** 108 Pcs / 272 Pcs / 328 Pcs

## > OPTIONAL FEATURES

- Carbon Filter Set
- 90 cm
- Remote Control

- 700 m<sup>3</sup>/h - 210 Watt Blower Motor (A class energy)
- 750 m<sup>3</sup>/h - 210 Watt Blower Motor (B class energy)
- 850 m<sup>3</sup>/h - 200 Watt Blower Motor (C class energy)

## > COLOR OPTIONS

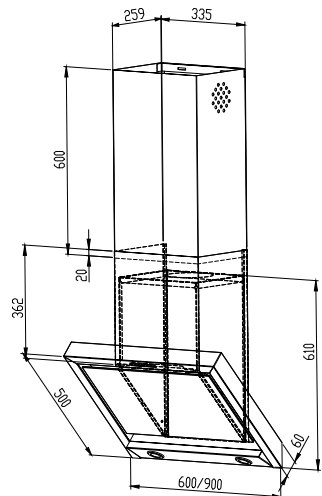


Inox

## > GLASS COLORS



Black White

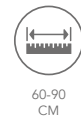






# Gemini X

LD47CC-X



60-90  
CM



LED  
LIGHT



BOOSTER  
LEVELS



## > MAIN FEATURES

- **Dimension:** 60 cm
- **Installation:** Wall Type
- **Control:** Touch
- **Speed:** 3
- **Lighting:** 2x1W LED Spot
- **Filter:** Aluminium (Dishwasher Safe)
- **Air Outlet:** 120 mm
- **Chimney:** Adjustable & Double
- **Timer:** 5 Mins
- **Piston Hinge:** Yes

- **Noise Level:** min 53dB - max 63dB
- **Airflow Capacity (DIN EN 61591):** min 125 m<sup>3</sup>/h - max 250 m<sup>3</sup>/h
- **Airflow Capacity (Free Flow):** 400 m<sup>3</sup>/h
- **Motor:** 110 Watt Blower Type
- **Energy Class:** D
- **Package Dimensions (WxDxH):** 63x42x48 cm
- **MOQ:** 50 Pcs
- **20DC/40HC/Truck:** 200 Pcs / 510 Pcs / 606 Pcs

## > OPTIONAL FEATURES

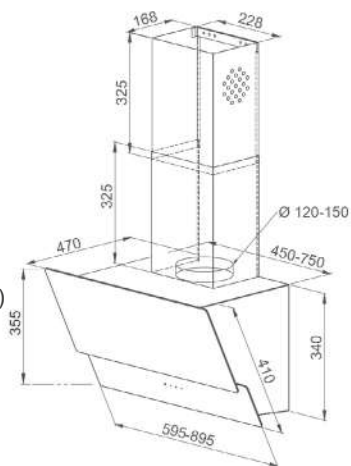
- Carbon Filter Set
- 90 cm
- Remote Control
- 550 m<sup>3</sup>/h - 140 Watt Blower Motor (D class energy)

- 700 m<sup>3</sup>/h - 210 Watt Blower Motor (A class energy)
- 750 m<sup>3</sup>/h - 210 Watt Blower Motor (B class energy)
- 850 m<sup>3</sup>/h - 200 Watt Blower Motor (C class energy)

## > GLASS COLORS



Black White







# Gemini

LD47CC



60-90  
CM



LED  
LIGHT



BOOSTER  
LEVELS

## > MAIN FEATURES

- **Dimension:** 60 cm
- **Installation:** Wall Type
- **Control:** Touch
- **Speed:** 3
- **Lighting:** 2x1W LED Spot
- **Filter:** Aluminium (Dishwasher Safe)
- **Air Outlet:** 120 mm
- **Chimney:** Adjustable & Double
- **Timer:** 5 Mins

- **Piston Hinge:** Yes
- **Noise Level:** min 53dB - max 63dB
- **Airflow Capacity (DIN EN 61591):** min 125 m<sup>3</sup>/h - max 250 m<sup>3</sup>/h
- **Airflow Capacity (Free Flow):** 400 m<sup>3</sup>/h
- **Motor:** 110 Watt Blower Type
- **Energy Class:** D
- **Package Dimensions (WxDxH):** 63x42x48 cm
- **MOQ:** 50 Pcs
- **20DC/40HC/Truck:** 200 Pcs / 510 Pcs / 606 Pcs

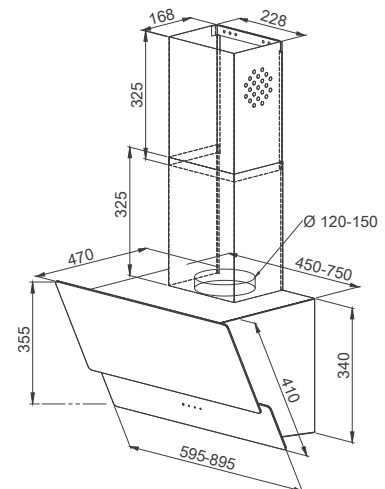
## > OPTIONAL FEATURES

- Carbon Filter Set
- 90 cm
- Remote Control
- 550 m<sup>3</sup>/h - 140 Watt Blower Motor (D class energy)
- 700 m<sup>3</sup>/h - 210 Watt Blower Motor (A class energy)
- 750 m<sup>3</sup>/h - 210 Watt Blower Motor (B class energy)
- 850 m<sup>3</sup>/h - 200 Watt Blower Motor (C class energy)

## > GLASS COLORS



Black Grey Beige White





# Gemini Sub

LD42BB



60-90  
CM



LED  
LIGHT



BOOSTER  
LEVELS

## > MAIN FEATURES

- **Dimension:** 60 cm
- **Installation:** Wall Type
- **Control:** Hidden Push Button
- **Speed:** 3
- **Lighting:** 1x5W LED Spot
- **Filter:** Aluminium (Dishwasher Safe)
- **Air Outlet:** 120 mm
- **Chimney:** Adjustable & Double
- **Noise Level:** min 53dB - max 63dB
- **Airflow Capacity (DIN EN 61591):** min 125 m<sup>3</sup>/h - max 250 m<sup>3</sup>/h
- **Airflow Capacity (Free Flow):** 400 m<sup>3</sup>/h
- **Motor:** 110 Watt Blower Type
- **Energy Class:** D
- **Package Dimensions (WxDxH):** 63x42x48 cm
- **MOQ:** 50 Pcs
- **20DC/40HC/Truck:** 200 Pcs / 510 Pcs / 606 Pcs

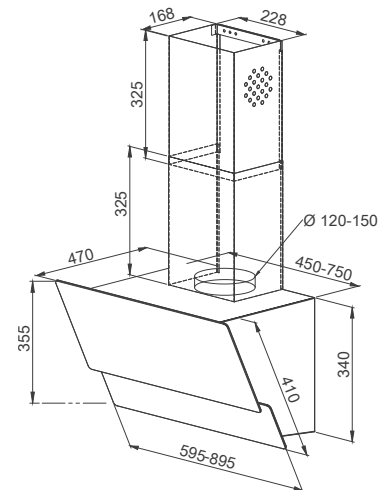
## > OPTIONAL FEATURES

- Carbon Filter Set
- 90 cm
- Piston Hinge
- 2x1 Watt LED Spots
- 550 m<sup>3</sup>/h - 140 Watt Blower Motor (D class energy)
- 700 m<sup>3</sup>/h - 210 Watt Blower Motor (A class energy)
- 750 m<sup>3</sup>/h - 210 Watt Blower Motor (B class energy)
- 850 m<sup>3</sup>/h - 200 Watt Blower Motor (C class energy)

## > GLASS COLORS



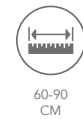
Black Grey Beige White





# Gemini Mecca

LD46BB



60-90  
CM



LED  
LIGHT



BOOSTER  
LEVELS

## > MAIN FEATURES

- **Dimension:** 60 cm
- **Installation:** Wall Type
- **Control:** Push Button
- **Speed:** 3
- **Lighting:** 1x5W LED Spot
- **Filter:** Aluminium (Dishwasher Safe)
- **Air Outlet:** 120 mm
- **Chimney:** Adjustable & Double
- **Noise Level:** min 53dB - max 63dB
- **Airflow Capacity (DIN EN 61591):** min 125 m<sup>3</sup>/h - max 250 m<sup>3</sup>/h
- **Airflow Capacity (Free Flow):** 400 m<sup>3</sup>/h
- **Motor:** 110 Watt Blower Type
- **Energy Class:** D
- **Package Dimensions (WxDxH):** 63x42x48 cm
- **MOQ:** 50 Pcs
- **20DC/40HC/Truck:** 200 Pcs / 510 Pcs / 606 Pcs

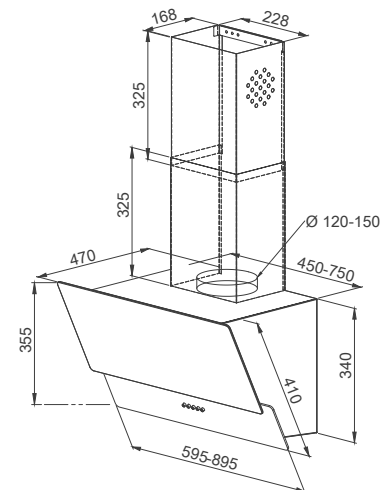
## > OPTIONAL FEATURES

- Carbon Filter Set (A class energy)
- 90 cm (750 m<sup>3</sup>/h - 210 Watt Blower Motor (B class energy))
- Piston Hinge (850 m<sup>3</sup>/h - 200 Watt Blower Motor (C class energy))
- 2x1 Watt LED Spots
- 550 m<sup>3</sup>/h - 140 Watt Blower Motor (D class energy)
- 700 m<sup>3</sup>/h - 210 Watt Blower Motor

## > GLASS COLORS



Black Grey Beige White





# Ombelico

LD91



60-90  
CM



LED  
LIGHT



BOOSTER  
LEVELS

## > MAIN FEATURES

- **Dimension:** 60 cm
- **Installation:** Wall Type
- **Control:** Touch with Display
- **Speed:** 3
- **Lighting:** 2x2W LED Spot
- **Filter:** Aluminium (Dishwasher Safe)
- **Air Outlet:** 150 mm
- **Chimney:** Adjustable & Double
- **Timer:** 15 Mins
- **Piston Hinge:** Yes
- **Noise Level:** min 55dB - max 65dB
- **Airflow Capacity (DIN EN 61591):** min 245 m<sup>3</sup>/h - max 455 m<sup>3</sup>/h
- **Airflow Capacity (Free Flow):** 550 m<sup>3</sup>/h
- **Motor:** 140 Watt Blower Type
- **Energy Class:** D
- **Package Dimensions (WxDxH):** 63x42x48 cm
- **MOQ:** 50 Pcs
- **20DC/40HC/Truck:** 200 Pcs / 510 Pcs / 606 Pcs

## > OPTIONAL FEATURES

- Carbon Filter Set
- 90 cm
- Remote Control
- 700 m<sup>3</sup>/h - 210 Watt Blower Motor (A class energy)
- 750 m<sup>3</sup>/h - 210 Watt Blower Motor (B class energy)
- 850 m<sup>3</sup>/h - 200 Watt Blower Motor (C class energy)

## > GLASS COLORS

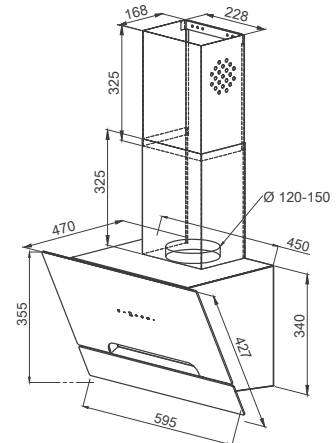


Black White

## > COLOR OPTIONS



Bronze Inox Green Beige





# T-TYPE HOODS



# Piano S

## LD96B-90

60-90  
CMLED  
LIGHTBOOSTER  
LEVELS

### > MAIN FEATURES

- **Dimension:** 90 cm
- **Installation:** Wall Type
- **Control:** Touch with Display
- **Speed:** 3
- **Lighting:** 2x2W LED Spot
- **Filter:** Inox Baffle (Dishwasher Safe)
- **Air Outlet:** 150 mm
- **Chimney:** Adjustable & Double
- **Filter Saturation Indicator:** Yes
- **Timer:** 15 Mins
- **Noise Level:** min 55dB - max 65dB
- **Airflow Capacity (DIN EN 61591):** min 245 m<sup>3</sup>/h - max 455 m<sup>3</sup>/h
- **Airflow Capacity (Free Flow):** 550 m<sup>3</sup>/h
- **Motor:** 140 Watt Blower Type
- **Energy Class:** D
- **Package Dimensions (WxDxH):** 95x43x63 cm
- **MOQ:** 50 Pcs
- **20DC/40HC/Truck:** 105 Pcs / 248 Pcs / 292 Pcs

### > OPTIONAL FEATURES

- Carbon Filter Set
- 60 cm
- Remote Control
- Aluminium Filters (Dishwasher Safe)
- 700 m<sup>3</sup>/h - 210 Watt Blower Motor (A class energy)
- 750 m<sup>3</sup>/h - 210 Watt Blower Motor (B class energy)
- 850 m<sup>3</sup>/h - 200 Watt Blower Motor (C class energy) / 5 SPEEDS

### > COLOR OPTIONS

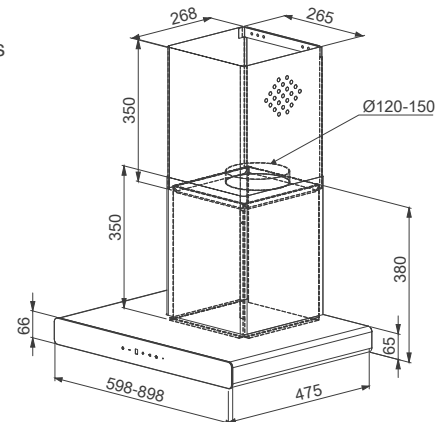


Black    Inox    White

### > GLASS COLORS



Black    White

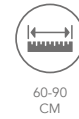






# Piano

LD96PB



60-90  
CM



LED  
LIGHT



BOOSTER  
LEVELS

## > MAIN FEATURES

- **Dimension:** 60 cm
- **Installation:** Wall Type
- **Control:** Push Button
- **Speed:** 3
- **Lighting:** 2x2W LED Spot
- **Filter:** Aluminium (Dishwasher Safe)
- **Air Outlet:** 150 mm
- **Chimney:** Adjustable & Double
- **Noise Level:** min 55dB - max 65dB
- **Airflow Capacity (DIN EN 61591):** min 245 m<sup>3</sup>/h - max 455 m<sup>3</sup>/h
- **Airflow Capacity (Free Flow):** 550 m<sup>3</sup>/h
- **Motor:** 140 Watt Blower Type
- **Energy Class:** D
- **Package Dimensions (WxDxH):** 65x43x63 cm
- **MOQ:** 50 Pcs
- **20DC/40HC/Truck:** 156 Pcs / 356 Pcs / 436 Pcs

## > OPTIONAL FEATURES

- Carbon Filter Set
- 90 cm
- Inox Baffle Filters (Dishwasher Safe)
- 700 m<sup>3</sup>/h - 210 Watt Blower Motor (A class energy)
- 750 m<sup>3</sup>/h - 210 Watt Blower Motor (B class energy)
- 850 m<sup>3</sup>/h - 200 Watt Blower Motor (C class energy)

## > COLOR OPTIONS

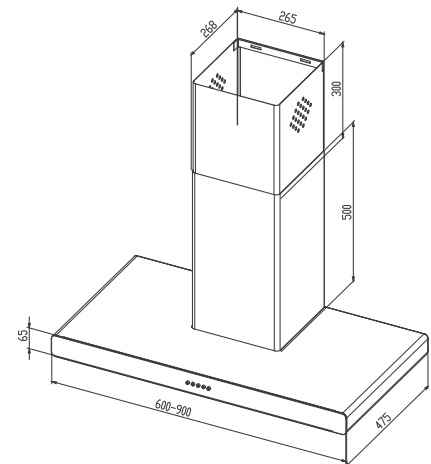


Black    Inox    White

## > GLASS COLORS



Black    White





# FormaT

LD35



60-90  
CM



LED  
LIGHT



BOOSTER  
LEVELS

## > MAIN FEATURES

- **Dimension:** 60 cm
- **Installation:** Wall Type
- **Control:** Push Button
- **Speed:** 3
- **Lighting:** 1x5W LED Bulb
- **Filter:** Aluminium (Dishwasher Safe)
- **Air Outlet:** 120 mm
- **Chimney:** Adjustable & Double
- **Noise Level:** min 53dB - max 63dB
- **Airflow Capacity (DIN EN 61591):** min 125 m<sup>3</sup>/h - max 250 m<sup>3</sup>/h
- **Airflow Capacity (Free Flow):** 400 m<sup>3</sup>/h
- **Motor:** 110 Watt Blower Type
- **Energy Class:** D
- **Package Dimensions (WxDxH):** 65x32x56 cm
- **MOQ:** 50 Pcs
- **20DC/40HC/Truck:** 236 Pcs / 504 Pcs / 572 Pcs

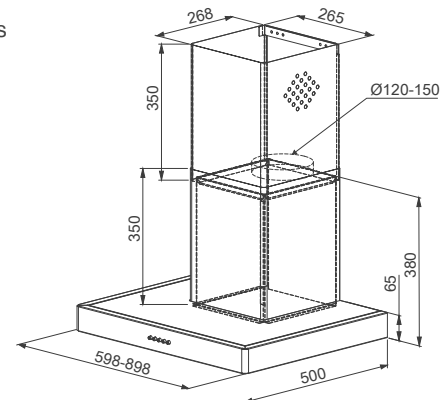
## > OPTIONAL FEATURES

- Carbon Filter Set
- 90 cm
- 2x1W LED Spot
- 550 m<sup>3</sup>/h - 140 Watt Blower Motor (D class energy)
- 700 m<sup>3</sup>/h - 210 Watt Blower Motor (A class energy)
- 750 m<sup>3</sup>/h - 210 Watt Blower Motor (B class energy)
- 850 m<sup>3</sup>/h - 200 Watt Blower Motor (C class energy)

## > COLOR OPTIONS



Black    Inox    White





# Doppio

LD23-90



60-90  
CM



LED  
LIGHT



TIMER  
SHUT-DOWN



FILTER  
SATURATION  
INDICATOR



BOOSTER  
LEVELS

## > MAIN FEATURES

- **Dimension:** 90 cm
- **Installation:** Wall Type
- **Control:** Soft Touch with Display
- **Speed:** 3
- **Lighting:** 2x2W LED Spot
- **Filter:** Aluminium (Dishwasher Safe)
- **Air Outlet:** 150 mm
- **Chimney:** Adjustable & Double
- **Filter Saturation Indicator:** Yes
- **Timer:** 15 Mins
- **Noise Level:** min 55dB - max 65dB
- **Airflow Capacity (DIN EN 61591):** min 245 m<sup>3</sup>/h - max 455 m<sup>3</sup>/h
- **Airflow Capacity (Free Flow):** 550 m<sup>3</sup>/h
- **Motor:** 140 Watt Blower Type
- **Energy Class:** D
- **Package Dimensions (WxDxH):** 95x43x63 cm
- **MOQ:** 50 Pcs
- **20DC/40HC/Truck:** 96 Pcs / 192 Pcs / 216 Pcs

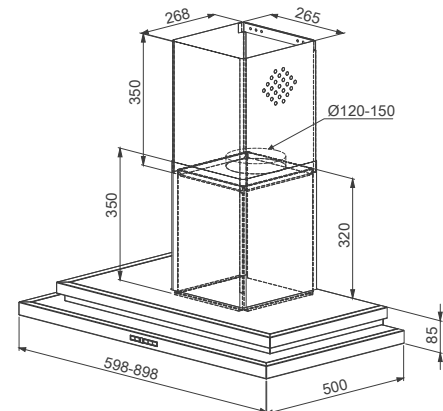
## > OPTIONAL FEATURES

- Carbon Filter Set
- 60 cm
- Remote Control
- 700 m<sup>3</sup>/h - 210 Watt Blower Motor (A class energy)
- 750 m<sup>3</sup>/h - 210 Watt Blower Motor (B class energy)
- 850 m<sup>3</sup>/h - 200 Watt Blower Motor (C class energy) / 5 SPEEDS

## > COLOR OPTIONS



Black    Inox    White





# FormaT S

LD36-90



60-90  
CM



LED  
LIGHT



TIMER  
SHUT-DOWN



FILTER  
SATURATION  
INDICATOR



BOOSTER  
LEVELS

## > MAIN FEATURES

- **Dimension:** 90 cm
- **Installation:** Wall Type
- **Control:** Touch with Display
- **Speed:** 3
- **Lighting:** 2x2W LED Spot
- **Filter:** Aluminium (Dishwasher Safe)
- **Air Outlet:** 150 mm
- **Chimney:** Adjustable & Double
- **Filter Saturation Indicator:** Yes

## > OPTIONAL FEATURES

- Carbon Filter Set
- 60 CM
- Remote Control
- Aluminium Filters (Dishwasher Safe)
- 700 m<sup>3</sup>/h - 210 Watt Blower Motor (A class energy)

## > COLOR OPTIONS



Black Inox White

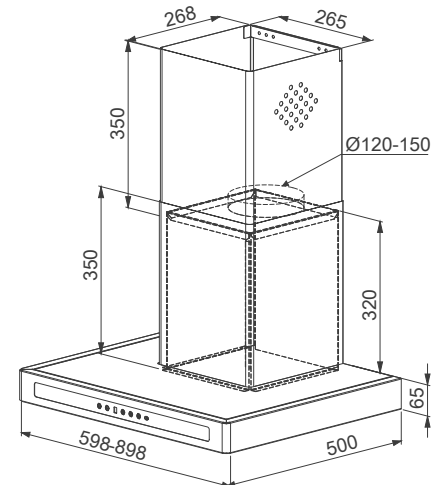
- **Airflow Capacity (DIN EN 61591):** min 245 m<sup>3</sup>/h - max 455 m<sup>3</sup>/h
- **Timer:** 15 Mins
- **Noise Level:** min 55dB - max 65dB
- **Airflow Capacity (Free Flow):** 550 m<sup>3</sup>/h
- **Motor:** 140 Watt Blower Type
- **Energy Class:** D
- **Package Dimensions (WxDxH):** 95x43x63 cm
- **MOQ:** 50 Pcs
- **20DC/40HC/Truck:** 105 Pcs / 248 Pcs / 292 Pcs

- 750 m<sup>3</sup>/h - 210 Watt Blower Motor (B class energy)
- 850 m<sup>3</sup>/h - 200 Watt Blower Motor (C class energy) / 5 SPEEDS

## > GLASS COLORS



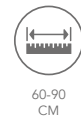
Black White





# Onda

LD93B-90



## > MAIN FEATURES

- **Dimension:** 90 cm
- **Installation:** Wall Type
- **Control:** Touch with Display
- **Speed:** 3
- **Lighting:** 2x2W LED Spot
- **Filter:** Aluminium (Dishwasher Safe)
- **Air Outlet:** 150 mm
- **Chimney:** Adjustable & Double
- **Filter Saturation Indicator:** Yes
- **Airflow Capacity (DIN EN 61591):** min 245 m<sup>3</sup>/h - max 455 m<sup>3</sup>/h
- **Timer:** 15 Mins
- **Noise Level:** min 55dB - max 65dB
- **Airflow Capacity (Free Flow):** 550 m<sup>3</sup>/h
- **Motor:** 140 Watt Blower Type
- **Energy Class:** D
- **Package Dimensions (WxDxH):** 95x43x63 cm
- **MOQ:** 50 Pcs
- **20DC/40HC/Truck:** 105 Pcs / 248 Pcs / 292 Pcs

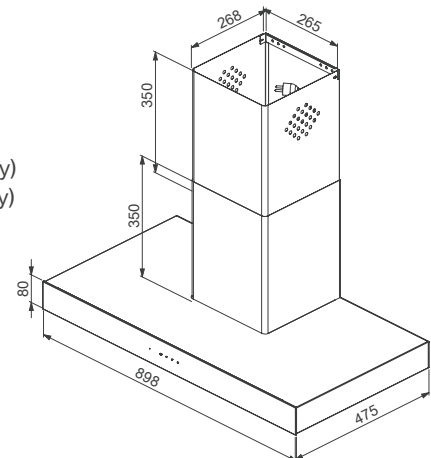
## > OPTIONAL FEATURES

- Carbon Filter Set
- 60 cm
- Remote Control
- Inox Baffle Filters (Dishwasher Safe)
- 700 m<sup>3</sup>/h - 210 Watt Blower Motor (A class energy)
- 750 m<sup>3</sup>/h - 210 Watt Blower Motor (B class energy)
- 850 m<sup>3</sup>/h - 200 Watt Blower Motor (C class energy) / 5 SPEEDS

## > COLOR OPTIONS



## > GLASS COLORS





# Piatto

## LD100



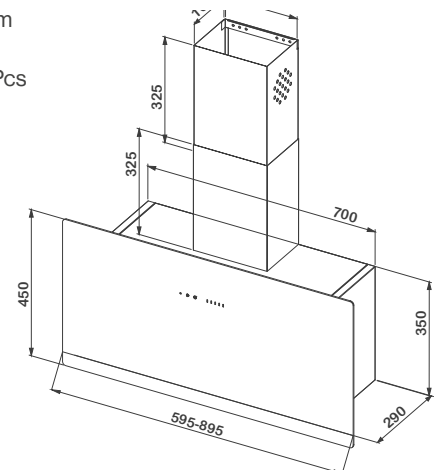
### > MAIN FEATURES

- **Dimension:** 60 cm
- **Installation:** Wall Type
- **Control:** Touch Slider
- **Speed:** 5
- **Lighting:** 2x2W LED Spot
- **Filter:** Aluminium (Dishwasher Safe)
- **Air Outlet:** 150 mm
- **Chimney:** Adjustable & Double
- **Timer:** 5 Mins
- **Noise Level:** min 51dB - max 68dB
- **Airflow Capacity (DIN EN 61591):** min 250 m<sup>3</sup>/h - max 615 m<sup>3</sup>/h
- **Airflow Capacity (Free Flow):** 850 m<sup>3</sup>/h
- **Motor:** 200 Watt Blower Type
- **Energy Class:** C
- **Package Dimensions (WxDxH):** 65x43x63 cm
- **MOQ:** 50 Pcs
- **20DC/40HC/Truck:** 105 Pcs / 248 Pcs / 292 Pcs

### > OPTIONAL FEATURES

- Carbon Filter Set
- 9 Speed
- 90 CM
- Remote Control
- 550 m<sup>3</sup>/h - 140 Watt Blower Motor (D class energy)
- 700 m<sup>3</sup>/h - 210 Watt Blower Motor (A class energy)
- 750 m<sup>3</sup>/h - 210 Watt Blower Motor (B class energy)

### > GLASS COLORS







# Tergola

## LD32-90

60-90  
CMLED  
LIGHTTIMER  
SHUT-DOWNFILTER  
SATURATION  
INDICATORBOOSTER  
LEVELS

### > MAIN FEATURES

- **Dimension:** 90 cm
- **Installation:** Wall Type
- **Control:** Push Button
- **Speed:** 3
- **Lighting:** 2x2W LED Spot
- **Filter:** Aluminium (Dishwasher Safe)
- **Air Outlet:** 120 mm
- **Chimney:** Adjustable & Double
- **Noise Level:** min 53dB - max 63dB
- **Airflow Capacity (DIN EN 61591):** min 125 m<sup>3</sup>/h - max 250 m<sup>3</sup>/h
- **Airflow Capacity (Free Flow):** 400 m<sup>3</sup>/h
- **Motor:** 110 Watt Blower Type
- **Energy Class:** D
- **Package Dimensions (WxDxH):** 95x32x56 cm
- **MOQ:** 50 Pcs
- **20DC/40HC/Truck:** 105 Pcs / 248 Pcs / 292 Pcs

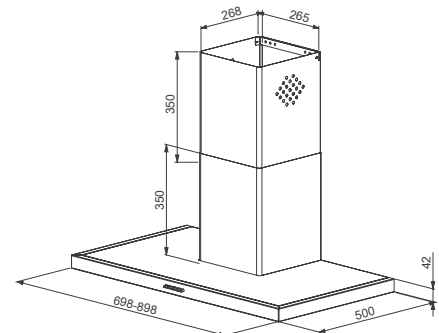
### > OPTIONAL FEATURES

- Carbon Filter Set
- 60 cm
- 550 m<sup>3</sup>/h - 140 Watt Blower Motor (D class energy)
- 700 m<sup>3</sup>/h - 210 Watt Blower Motor (A class energy)
- 750 m<sup>3</sup>/h - 210 Watt Blower Motor (B class energy)
- 850 m<sup>3</sup>/h - 200 Watt Blower Motor (C class energy)

### > COLOR OPTIONS



Black    Inox    White







# Tergola S

LD32-03-90



60-90  
CM



LED  
LIGHT



BOOSTER  
LEVELS

## > MAIN FEATURES

- **Dimension:** 90 cm
- **Installation:** Wall Type
- **Control:** Push Button
- **Speed:** 3
- **Lighting:** 2x2W LED Spot
- **Filter:** Aluminium (Dishwasher Safe)
- **Air Outlet:** 120 mm
- **Chimney:** Adjustable & Double
- **Noise Level:** min 53dB - max 63dB
- **Airflow Capacity (DIN EN 61591):** min 125 m<sup>3</sup>/h - max 250 m<sup>3</sup>/h
- **Airflow Capacity (Free Flow):** 400 m<sup>3</sup>/h
- **Motor:** 110 Watt Blower Type
- **Energy Class:** D
- **Package Dimensions (WxDxH):** 95x32x56 cm
- **MOQ:** 50 Pcs
- **20DC/40HC/Truck:** 105 Pcs / 248 Pcs / 292 Pcs

## > OPTIONAL FEATURES

- Carbon Filter Set
- 60 cm
- 550 m<sup>3</sup>/h - 140 Watt Blower Motor (D class energy)
- 700 m<sup>3</sup>/h - 210 Watt Blower Motor (A class energy)
- 750 m<sup>3</sup>/h - 210 Watt Blower Motor (B class energy)
- 850 m<sup>3</sup>/h - 200 Watt Blower Motor (C class energy)

## > COLOR OPTIONS

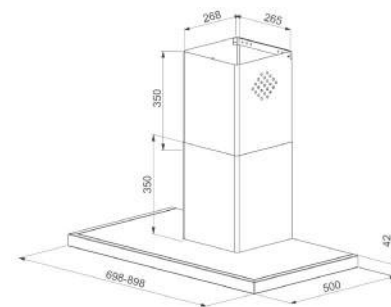


Black    Inox    White

## > GLASS COLORS



Black    White





# Magu

## LD22PB-90



FILTER  
SATURATION  
INDICATOR



TIMER  
SHUT-DOWN



60-90  
CM



LED  
LIGHT



BOOSTER  
LEVELS

### > MAIN FEATURES

- **Dimension:** 90 cm
- **Installation:** Wall Type
- **Control:** Push Button
- **Speed:** 3
- **Lighting:** 1x5W LED Bulb
- **Filter:** Aluminium (Dishwasher Safe)
- **Air Outlet:** 150 mm
- **Chimney:** Adjustable & Double
- **Noise Level:** min 53dB - max 63dB
- **Airflow Capacity (DIN EN 61591):** min 125 m<sup>3</sup>/h - max 250 m<sup>3</sup>/h
- **Airflow Capacity (Free Flow):** 400 m<sup>3</sup>/h
- **Motor:** 140 Watt Blower Type
- **Energy Class:** D
- **Package Dimensions (WxDxH):** 95x32x56 cm
- **MOQ:** 50 Pcs
- **20DC/40HC/Truck:** 168 Pcs / 392 Pcs / 448 Pcs

### > OPTIONAL FEATURES

- Carbon Filter Set
- 60 cm
- 550 m<sup>3</sup>/h - 140 Watt Blower Motor (D class energy)
- 700 m<sup>3</sup>/h - 210 Watt Blower Motor (A class energy)
- 750 m<sup>3</sup>/h - 210 Watt Blower Motor (B class energy)
- 850 m<sup>3</sup>/h - 200 Watt Blower Motor (C class energy)

### > COLOR OPTIONS

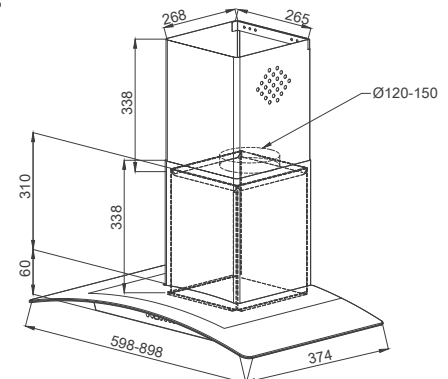


Black Inox White

### > GLASS COLORS



Black Transparent





# Magu S

## LD22-03B TOUCH



60-90  
CM



LED  
LIGHT



BOOSTER  
LEVELS

### > MAIN FEATURES

- **Dimension:** 60 cm
- **Installation:** Wall Type
- **Control:** Touch
- **Speed:** 3
- **Lighting:** 2x1W LED Spot
- **Filter:** Aluminum (Dishwasher Safe)
- **Air Outlet:** 150 mm
- **Chimney:** Adjustable & Double
- **Timer:** 5 Mins
- **Noise Level:** min 55dB - max 65dB
- **Airflow Capacity (DIN EN 61591):** min 245 m<sup>3</sup>/h - max 455 m<sup>3</sup>/h
- **Airflow Capacity (Free Flow):** 550 m<sup>3</sup>/h
- **Motor:** 140 Watt Blower Type
- **Energy Class:** D
- **Package Dimensions (WxDxH):** 65x43x63 cm
- **MOQ:** 50 Pcs
- **20DC/40HC/Truck:** 156 Pcs / 356 Pcs / 436 Pcs

### > OPTIONAL FEATURES

- Carbon Filter Set
- 90 cm
- Remote Control
- 700 m<sup>3</sup>/h - 210 Watt Blower Motor (A class energy)

### > COLOR OPTIONS

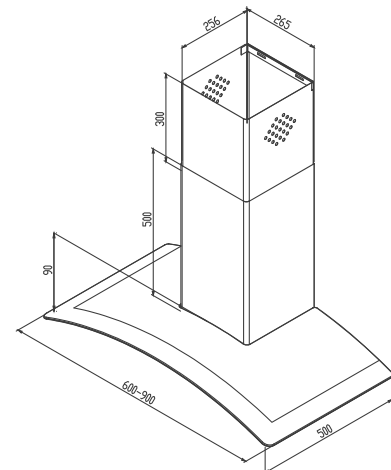


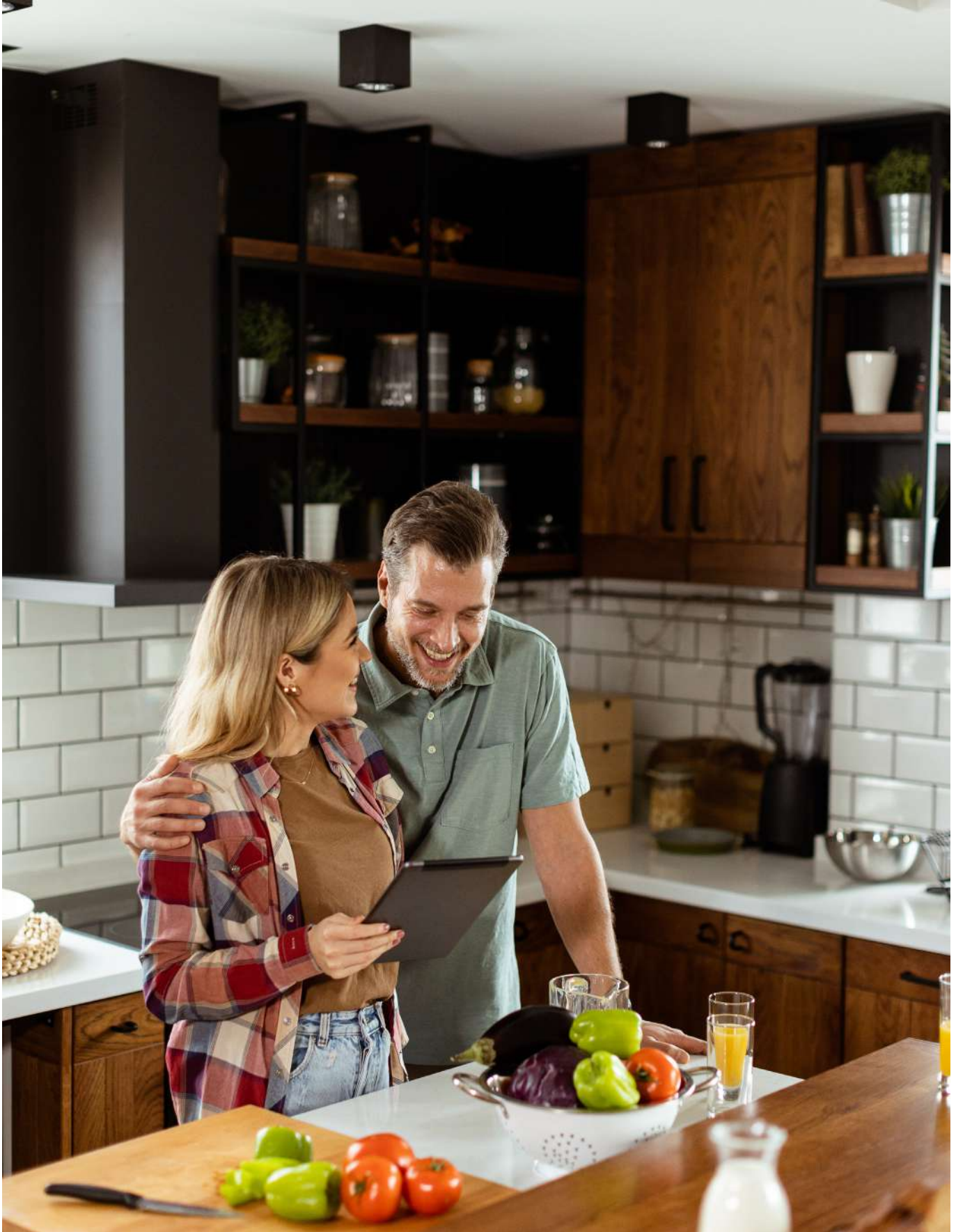
Black    Inox    White

### > GLASS COLORS



Black    Transparent







# COUNTRY HOODS



# Giro Rustico

SD64 B ALU



60-90  
CM



LED  
LIGHT



BOOSTER  
LEVELS

## > MAIN FEATURES

- **Dimension:** 60 cm
- **Installation:** Wall Type
- **Control:** Rustic Push Button
- **Speed:** 3
- **Lighting:** 1x5W LED Bulb
- **Filter:** Aluminium (Dishwasher Safe)
- **Air Outlet:** 120 mm
- **Chimney:** Adjustable & Double
- **Noise Level:** min 53dB - max 63dB
- **Airflow Capacity (DIN EN 61591):** min 125 m<sup>3</sup>/h - max 250 m<sup>3</sup>/h
- **Airflow Capacity (Free Flow):** 400 m<sup>3</sup>/h
- **Motor:** 110 Watt Blower Type
- **Energy Class:** D
- **Package Dimensions (WxDxH):** 65x32x52 cm
- **MOQ:** 50 Pcs
- **20DC/40HC/Truck:** 245 Pcs / 504 Pcs / 568 Pcs

## > OPTIONAL FEATURES

- Carbon Filter Set
- 90 cm
- 2x5 Watt Led Bulbs
- 550 m<sup>3</sup>/h - 140 Watt Blower Motor
- (D class energy)
- 700 m<sup>3</sup>/h - 210 Watt Blower Motor (A class energy)
- 750 m<sup>3</sup>/h - 210 Watt Blower Motor (B class energy)
- 850 m<sup>3</sup>/h - 200 Watt Blower Motor (C class energy)

## > COLOR OPTIONS

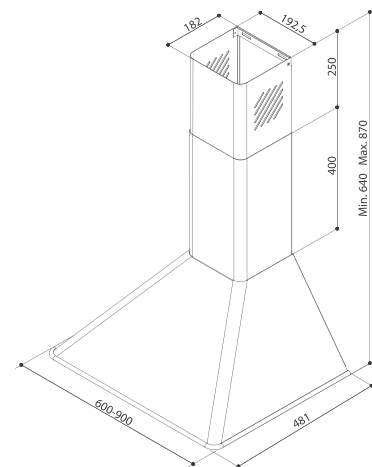


Black White Beige

## > FRAME COLORS



Gold Frame Aluminium Frame





# Manico Rustico

SD56 BGR



60-90  
CM



LED  
LIGHT



BOOSTER  
LEVELS

## > MAIN FEATURES

- **Dimension:** 60 cm
- **Installation:** Wall Type
- **Control:** Rustic Push Button
- **Speed:** 3
- **Lighting:** 1x5W LED Bulb
- **Filter:** Aluminium (Dishwasher Safe)
- **Air Outlet:** 120 mm
- **Chimney:** Adjustable & Double
- **Noise Level:** min 53dB - max 63dB
- **Airflow Capacity (DIN EN 61591):** min 125 m<sup>3</sup>/h - max 250 m<sup>3</sup>/h
- **Airflow Capacity (Free Flow):** 400 m<sup>3</sup>/h
- **Motor:** 110 Watt Blower Type
- **Energy Class:** D
- **Package Dimensions (WxDxH):** 65x32x52 cm
- **MOQ:** 50 Pcs
- **20DC/40HC/Truck:** 297 Pcs / 660 Pcs / 745 Pcs

## > OPTIONAL FEATURES

- Carbon Filter Set
- 90 cm
- 520 m<sup>3</sup>/h - 140 Watt Blower Motor (C class energy)

## > COLOR OPTIONS

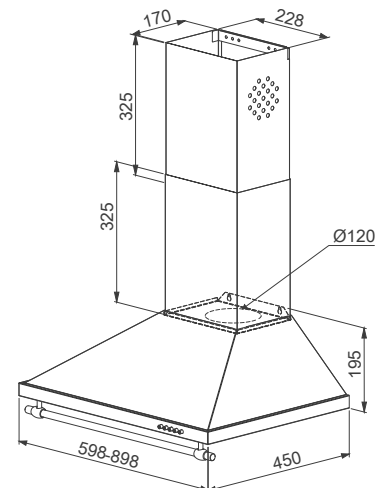


Black Beige White

## > HANDLE OPTIONS



Gold Bronze









# PYRAMID HOODS



# Mollis

## SD59



60-90  
CM



LED  
LIGHT



TIMER  
SHUT-DOWN



FILTER  
SATURATION  
INDICATOR



BOOSTER  
LEVELS

### > MAIN FEATURES

- **Dimension:** 60 cm
- **Installation:** Wall Type
- **Control:** Soft Touch with Display
- **Speed:** 3
- **Lighting:** 1x5W LED Bulb
- **Filter:** Aluminium (Dishwasher Safe)
- **Air Outlet:** 120 mm
- **Chimney:** Adjustable & Double
- **Filter Saturation Indicator:** Yes

### > OPTIONAL FEATURES

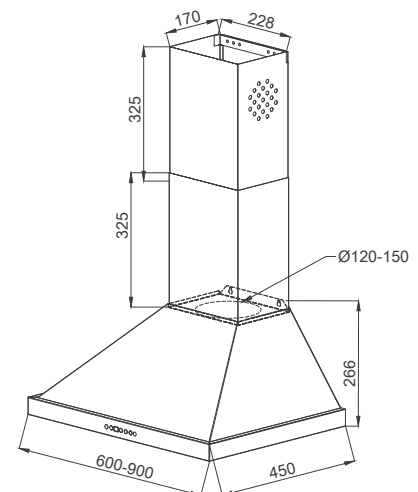
- Carbon Filter Set
- 90 cm
- 2x5 Watt Led Bulbs
- 2x2 Watt Led Spots
- 550 m<sup>3</sup>/h - 140 Watt Blower Motor (D class energy)

### > COLOR OPTIONS



Black    Inox    White    Beige    Inox Grey

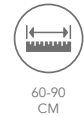
- **Timer:** 15 Mins
- **Noise Level:** min 53dB - max 63dB
- **Airflow Capacity (DIN EN 61591):** min 125 m<sup>3</sup>/h - max 250 m<sup>3</sup>/h
- **Airflow Capacity (Free Flow):** 400 m<sup>3</sup>/h
- **Motor:** 110 Watt Blower Type
- **Energy Class:** D
- **Package Dimensions (WxDxH):** 65x32x52 cm
- **MOQ:** 50 Pcs
- **20DC/40HC/Truck:** 236 Pcs / 504 Pcs / 568 Pcs





# Magnus

SD54



60-90  
CM



LED  
LIGHT



BOOSTER  
LEVELS

## > MAIN FEATURES

- **Dimension:** 60 cm
- **Installation:** Wall Type
- **Control:** Push Button
- **Speed:** 3
- **Lighting:** 1x5W LED Bulb
- **Filter:** Aluminium (Dishwasher Safe)
- **Air Outlet:** 120 mm
- **Chimney:** Adjustable & Double

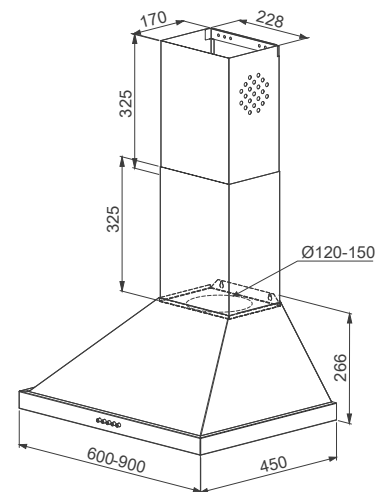
- **Noise Level:** min 53dB - max 63dB
- **Airflow Capacity (DIN EN 61591):** min 125 m<sup>3</sup>/h - max 250 m<sup>3</sup>/h
- **Airflow Capacity (Free Flow):** 400 m<sup>3</sup>/h
- **Motor:** 110 Watt Blower Type
- **Energy Class:** D
- **Package Dimensions (WxDxH):** 65x32x53 cm
- **MOQ:** 50 Pcs
- **20DC/40HC/Truck:** 236 Pcs / 504 Pcs / 568 Pcs

## > OPTIONAL FEATURES

- Carbon Filter Set
- 90 cm
- 2x5 Watt Led Bulbs
- Rustic Push Button
- Rustic Handle
- 550 m<sup>3</sup>/h - 140 Watt Blower Motor (D class energy)

- 700 m<sup>3</sup>/h - 210 Watt Blower Motor (A class energy)
- 750 m<sup>3</sup>/h - 210 Watt Blower Motor (B class energy)
- 850 m<sup>3</sup>/h - 200 Watt Blower Motor (C class energy)

## > COLOR OPTIONS





# Farao

SD56-90



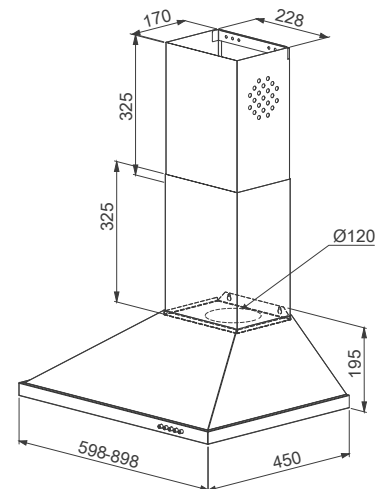
## > MAIN FEATURES

- **Dimension:** 90 cm
- **Installation:** Wall Type
- **Control:** Push Button
- **Speed:** 3
- **Lighting:** 1x5W LED Bulb
- **Filter:** Aluminium (Dishwasher Safe)
- **Air Outlet:** 120 mm
- **Chimney:** Adjustable & Double
- **Noise Level:** min 53dB - max 63dB
- **Airflow Capacity (DIN EN 61591):** min 125 m<sup>3</sup>/h - max 250 m<sup>3</sup>/h
- **Airflow Capacity (Free Flow):** 400 m<sup>3</sup>/h
- **Motor:** 110 Watt Blower Type
- **Energy Class:** D
- **Package Dimensions (WxDxH):** 95x25x53 cm
- **MOQ:** 50 Pcs
- **20DC/40HC/Truck:** 216 Pcs / 448 Pcs / 490 Pcs

## > OPTIONAL FEATURES

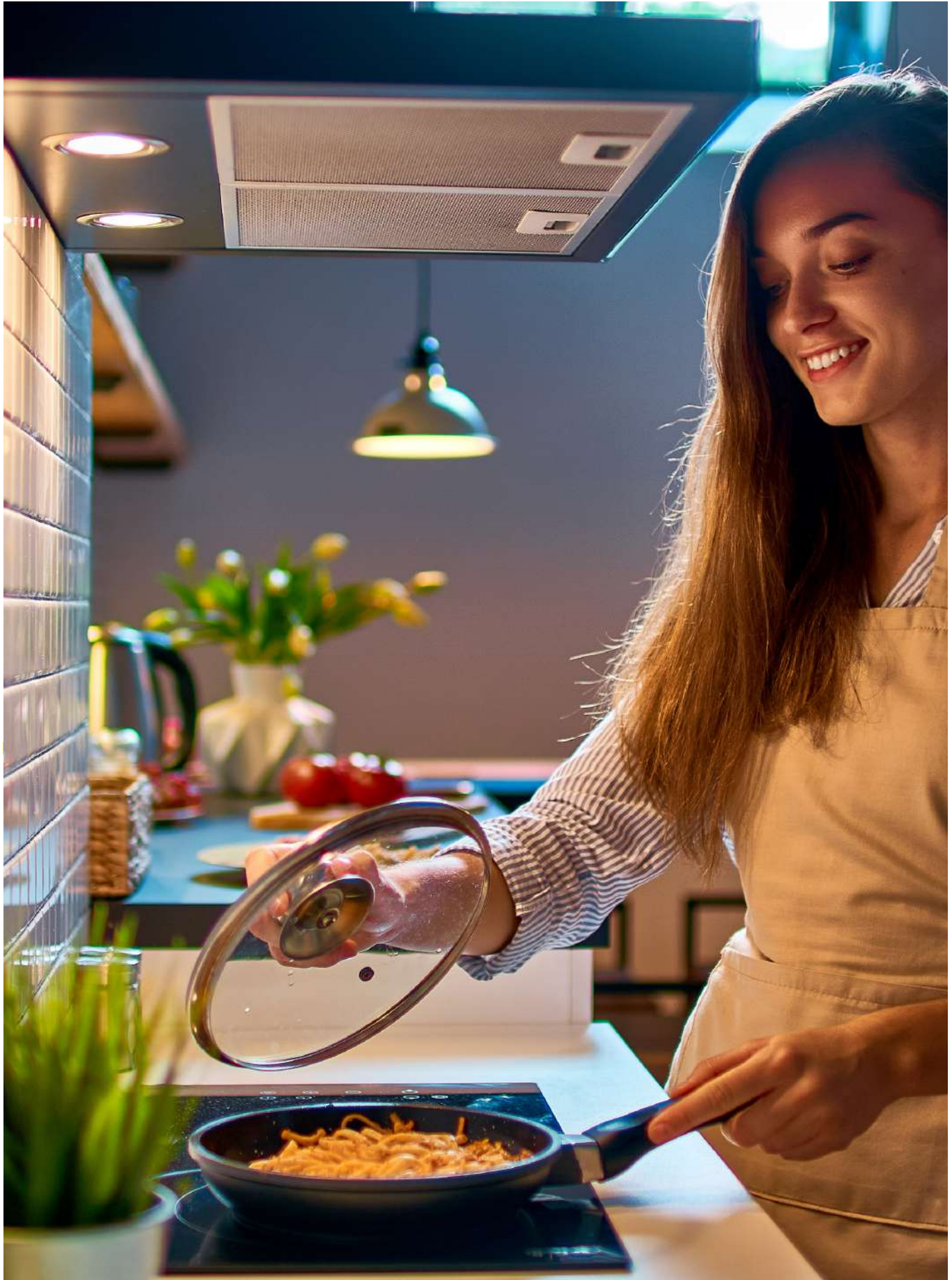
- Carbon Filter Set
- 60 cm
- Rustic Push Button
- Rustic Handle
- 520 m<sup>3</sup>/h - 140 Watt Blower Motor (C class energy)

## > COLOR OPTIONS





# CORNER HOODS





# Anguli

## LD33



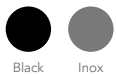
### > MAIN FEATURES

- **Dimension:** 90 cm
- **Installation:** Corner
- **Control:** Soft Touch with Display
- **Speed:** 3
- **Lighting:** 3x2W LED Spot
- **Filter:** Aluminium (Dishwasher Safe)
- **Air Outlet:** 150 mm
- **Chimney:** Adjustable & Double
- **Filter Saturation Indicator:** Yes
- **Timer:** 15 Mins
- **Noise Level:** min 55dB - max 65dB
- **Airflow Capacity (DIN EN 61591):** min 245 m<sup>3</sup>/h - max 455 m<sup>3</sup>/h
- **Airflow Capacity (Free Flow):** 550 m<sup>3</sup>/h
- **Motor:** 140 Watt Blower Type
- **Energy Class:** D
- **Package Dimensions (WxDxH):** 107x44x107 cm
- **MOQ:** 50 Pcs
- **20DC/40HC/Truck:** 50 Pcs / 132 Pcs / 148 Pcs

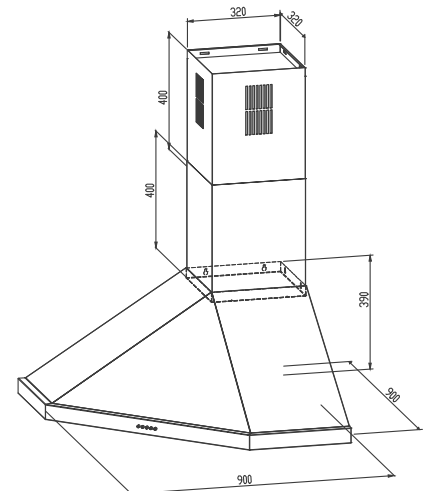
### > OPTIONAL FEATURES

- Carbon Filter Set
- 700 m<sup>3</sup>/h - 210 Watt Blower Motor (A class energy)
- 750 m<sup>3</sup>/h - 210 Watt Blower Motor (B class energy)
- 850 m<sup>3</sup>/h - 200 Watt Blower Motor (C class energy) / 5 SPEEDS

### > COLOR OPTIONS



Black    Inox









# BUILT-IN HOODS



# Comodo Plus

GD82



52-60-72-82  
CM



LED  
LIGHT



BOOSTER  
LEVELS

## > MAIN FEATURES

- **Dimension:** 82 cm
- **Installation:** Built-in
- **Control:** Push Button
- **Speed:** 3
- **Lighting:** 2x2W LED Spot
- **Filter:** Aluminium (Dishwasher Safe)
- **Air Outlet:** 150 mm
- **Noise Level:** min 55dB - max 65dB
- **Airflow Capacity (DIN EN 61591):** min 245 m<sup>3</sup>/h - max 455 m<sup>3</sup>/h
- **Airflow Capacity (Free Flow):** 550 m<sup>3</sup>/h
- **Motor:** 140 Watt Blower Type
- **Energy Class:** D
- **Package Dimensions (WxDxH):** 86x32x35 cm
- **MOQ:** 50 Pcs
- **20DC/40HC/Truck:** 254 Pcs / 580 Pcs / 650 Pcs

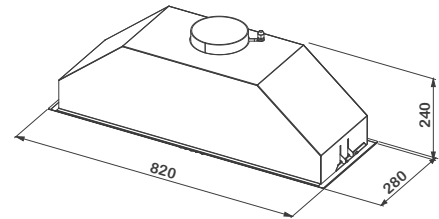
## > OPTIONAL FEATURES

- Carbon Filter Set
- Easy Fix Assembly System
- Rustic Push Button
- 52 CM / 60 CM / 72 CM
- 400 m<sup>3</sup>/h - 110 Watt Blower Motor (D class energy)
- 520 m<sup>3</sup>/h - 140 Watt Blower Motor (C class energy)
- 700 m<sup>3</sup>/h - 210 Watt Blower Motor (A class energy)
- 750 m<sup>3</sup>/h - 210 Watt Blower Motor (B class energy)
- 850 m<sup>3</sup>/h - 200 Watt Blower Motor (C class energy)

## > COLOR OPTIONS



Black Grey Inox Beige White





# Omerta Plus

GC82



52-60-72-82  
CM



LED  
LIGHT



BOOSTER  
LEVELS

## > MAIN FEATURES

- **Dimension:** 82 cm
- **Installation:** Built-in
- **Control:** Push Button
- **Speed:** 3
- **Lighting:** 2x2W LED Spot
- **Filter:** Aluminium (Dishwasher Safe)
- **Air Outlet:** 120 mm
- **Noise Level:** min 53dB - max 63dB
- **Airflow Capacity (DIN EN 61591):** min 125 m<sup>3</sup>/h - max 250 m<sup>3</sup>/h
- **Airflow Capacity (Free Flow):** 400 m<sup>3</sup>/h
- **Motor:** 110 Watt Blower Type
- **Energy Class:** D
- **Package Dimensions (WxDxH):** 85x24x34,5 cm
- **MOQ:** 50 Pcs
- **20DC/40HC/Truck:** 290 Pcs / 650 Pcs / 878 Pcs

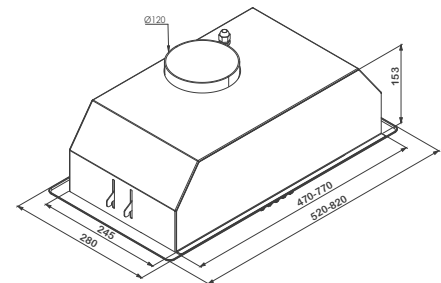
## > OPTIONAL FEATURES

- Carbon Filter Set
- Easy Fix Assembly System
- Rustic Push Button
- 52 cm / 60 cm / 72 cm
- 520 m<sup>3</sup>/h - 140 Watt Blower Motor (C class energy)
- 550 m<sup>3</sup>/h - 140 Watt Blower Motor (D class energy)
- 700 m<sup>3</sup>/h - 210 Watt Blower Motor (A class energy)
- 750 m<sup>3</sup>/h - 210 Watt Blower Motor (B class energy)
- 850 m<sup>3</sup>/h - 200 Watt Blower Motor (C class energy)

## > COLOR OPTIONS



Black Grey Inox Beige White





# Comodo

GD52



52-60-72-82  
CM



LED  
LIGHT



3  
BOOSTER  
LEVELS

## > MAIN FEATURES

- **Dimension:** 52 cm
- **Installation:** Built-in
- **Control:** Push Button
- **Speed:** 3
- **Lighting:** 2x2W LED Spot
- **Filter:** Aluminium (Dishwasher Safe)
- **Air Outlet:** 150 mm
- **Noise Level:** min 55dB - max 65dB
- **Airflow Capacity (DIN EN 61591):** min 245 m<sup>3</sup>/h - max 455 m<sup>3</sup>/h
- **Airflow Capacity (Free Flow):** 550 m<sup>3</sup>/h
- **Motor:** 140 Watt Blower Type
- **Energy Class:** D
- **Package Dimensions (WxDxH):** 55x31x34,5 cm
- **MOQ:** 50 Pcs
- **20DC/40HC/Truck:** 388 Pcs / 836 Pcs / 952 Pcs

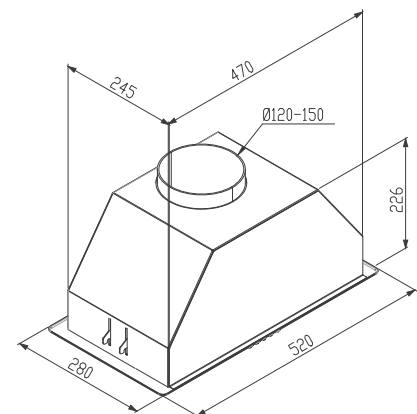
## > OPTIONAL FEATURES

- Carbon Filter Set
- Easy Fix Assembly System
- Rustic Push Button
- 60 cm / 72 cm / 82 cm
- 400 m<sup>3</sup>/h - 110 Watt Blower Motor (D class energy)
- 520 m<sup>3</sup>/h - 140 Watt Blower Motor (C class energy)
- 700 m<sup>3</sup>/h - 210 Watt Blower Motor (A class energy)
- 750 m<sup>3</sup>/h - 210 Watt Blower Motor (B class energy)
- 850 m<sup>3</sup>/h - 200 Watt Blower Motor (C class energy)

## > COLOR OPTIONS



Black Grey Inox Beige White





# Omerta

## GC52 VR5



52-60-72-82  
CM



LED  
LIGHT



BOOSTER  
LEVELS

### > MAIN FEATURES

- **Dimension:** 52 cm
- **Installation:** Built-in
- **Control:** Push Button
- **Speed:** 3
- **Lighting:** 2x2W LED Spot
- **Filter:** Aluminium (Dishwasher Safe)
- **Air Outlet:** 120 mm
- **Noise Level:** min 53dB - max 63dB

- **Airflow Capacity (DIN EN 61591):** min 125 m<sup>3</sup>/h - max 250 m<sup>3</sup>/h
- **Airflow Capacity (Free Flow):** 400 m<sup>3</sup>/h
- **Motor:** 110 Watt Blower Type
- **Energy Class:** D
- **Package Dimensions (WxDxH):** 55x24x34,5 cm
- **MOQ:** 50 Pcs
- **20DC/40HC/Truck:** 570 Pcs / 1375 Pcs / 1672 Pcs

### > OPTIONAL FEATURES

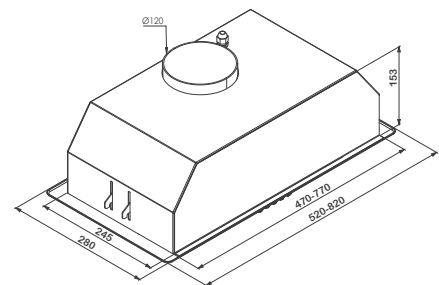
- Carbon Filter Set
- Easy Fix Assembly System
- Rustic Push Button
- 60 cm / 72 cm / 82 cm
- 520 m<sup>3</sup>/h - 140 Watt Blower Motor (C class energy)

- 550 m<sup>3</sup>/h - 140 Watt Blower Motor (D class energy)
- 700 m<sup>3</sup>/h - 210 Watt Blower Motor (A class energy)
- 750 m<sup>3</sup>/h - 210 Watt Blower Motor (B class energy)
- 850 m<sup>3</sup>/h - 200 Watt Blower Motor (C class energy)

### > COLOR OPTIONS



Black Grey Inox Beige White





# Comodo S

## GD52 VR3 TOUCH

52-60-72-82  
CMLED  
LIGHTBOOSTER  
LEVELS

### > MAIN FEATURES

- **Dimension:** 52 cm
- **Installation:** Built-in
- **Easy Fix Assembly System:** Yes
- **Control:** Touch
- **Speed:** 3
- **Lighting:** 2x2W LED Spot
- **Filter:** Aluminium (Dishwasher Safe)
- **Air Outlet:** 150 mm
- **Timer:** 5 Mins
- **Noise Level:** min 55dB - max 65dB
- **Airflow Capacity (DIN EN 61591):** min 245 m<sup>3</sup>/h - max 455 m<sup>3</sup>/h
- **Airflow Capacity (Free Flow):** 550 m<sup>3</sup>/h
- **Motor:** 140 Watt Blower Type
- **Energy Class:** D
- **Package Dimensions (WxDxH):** 55x31x34,5 cm
- **MOQ:** 50 Pcs
- **20DC/40HC/Truck:** 388 Pcs / 836 Pcs / 952 Pcs

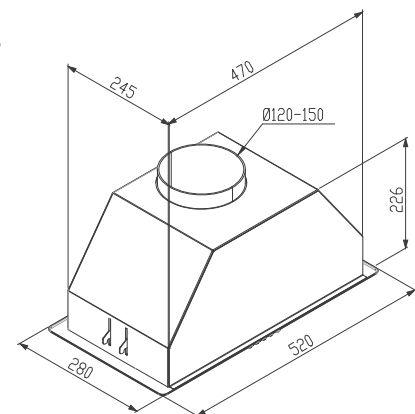
### > OPTIONAL FEATURES

- Carbon Filter Set
- Remote Control
- 60 cm / 72 cm / 82 cm
- 400 m<sup>3</sup>/h - 110 Watt Blower Motor (D class energy)
- 520 m<sup>3</sup>/h - 140 Watt Blower Motor (C class energy)
- 700 m<sup>3</sup>/h - 210 Watt Blower Motor (A class energy)
- 750 m<sup>3</sup>/h - 210 Watt Blower Motor (B class energy)
- 850 m<sup>3</sup>/h - 200 Watt Blower Motor (C class energy)

### > COLOR OPTIONS



Black Grey Inox Beige White





# Omerta S

## GD52 VR5 TOUCH



52-60-72-82  
CM



LED  
LIGHT



BOOSTER  
LEVELS

### > MAIN FEATURES

- **Dimension:** 52 cm
- **Installation:** Built-in
- **Easy Fix Assembly System:** Yes
- **Control:** Touch
- **Speed:** 3
- **Lighting:** 2x2W LED Spot
- **Filter:** Aluminium (Dishwasher Safe)
- **Air Outlet:** 150 mm
- **Timer:** 5 Mins
- **Noise Level:** min 55dB - max 65dB
- **Airflow Capacity (DIN EN 61591):** min 245 m<sup>3</sup>/h - max 455 m<sup>3</sup>/h
- **Airflow Capacity (Free Flow):** 550 m<sup>3</sup>/h
- **Motor:** 140 Watt Blower Type
- **Energy Class:** D
- **Package Dimensions (WxDxH):** 55x31x34,5 cm
- **MOQ:** 50 Pcs
- **20DC/40HC/Truck:** 388 Pcs / 836 Pcs / 952 Pcs

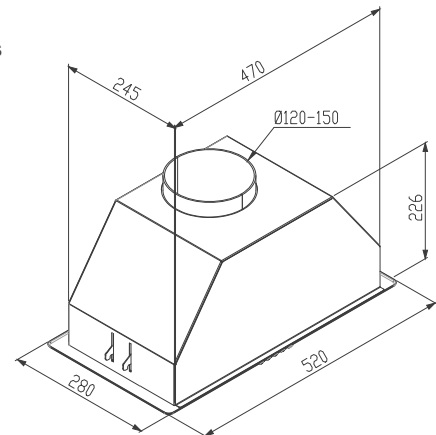
### > OPTIONAL FEATURES

- Carbon Filter Set
- Remote Control
- 60 cm / 72 cm / 82 cm
- 400 m<sup>3</sup>/h - 110 Watt Blower Motor (D class energy)
- 520 m<sup>3</sup>/h - 140 Watt Blower Motor (C class energy)
- 700 m<sup>3</sup>/h - 210 Watt Blower Motor (A class energy)
- 750 m<sup>3</sup>/h - 210 Watt Blower Motor (B class energy)
- 850 m<sup>3</sup>/h - 200 Watt Blower Motor (C class energy)

### > COLOR OPTIONS



Black Grey Inox Beige White









# Nascosta Vetro

GLD52



52-60-72-82  
CM



LED  
LIGHT



3  
BOOSTER  
LEVELS

## > MAIN FEATURES

- **Dimension:** 52 cm
- **Installation:** Built-in
- **Easy Fix Assembly System:** Yes
- **Control:** Touch
- **Speed:** 3
- **Lighting:** 2x2W LED Flush
- **Filter:** Aluminium (Dishwasher Safe)
- **Air Outlet:** 150 mm
- **Timer:** 5 Mins
- **Noise Level:** min 55dB - max 65dB
- **Airflow Capacity (DIN EN 61591):** min 245 m<sup>3</sup>/h - max 455 m<sup>3</sup>/h
- **Airflow Capacity (Free Flow):** 550 m<sup>3</sup>/h
- **Motor:** 140 Watt Blower Type
- **Energy Class:** D
- **Package Dimensions (WxDxH):** 59x35x38 cm
- **MOQ:** 50 Pcs
- **20DC/40HC/Truck:** 378 Pcs / 792 Pcs / 899 Pcs

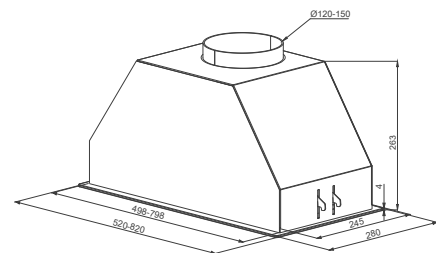
## > OPTIONAL FEATURES

- Carbon Filter Set
- Remote Control
- 60 cm / 72 cm / 82 cm
- 400 m<sup>3</sup>/h - 110 Watt Blower Motor (D class energy)
- 520 m<sup>3</sup>/h - 140 Watt Blower Motor (C class energy)
- 700 m<sup>3</sup>/h - 210 Watt Blower Motor (A class energy)
- 750 m<sup>3</sup>/h - 210 Watt Blower Motor (B class energy)
- 850 m<sup>3</sup>/h - 200 Watt Blower Motor (C class energy)

## > COLOR OPTIONS



Black Grey Beige White





# Nascosta Ore

GLD52 VR2



52-60-72-82  
CM



LED  
LIGHT



BOOSTER  
LEVELS

## > MAIN FEATURES

- **Dimension:** 52 cm
- **Installation:** Built-in
- **Easy Fix Assembly System:** Yes
- **Control:** Soft Touch with Display
- **Speed:** 3
- **Lighting:** 2x2W LED Spot
- **Filter:** Aluminium (Dishwasher Safe)
- **Air Outlet:** 150 mm
- **Filter Saturation Indicator:** Yes
- **Timer:** 15 Mins
- **Noise Level:** min 55dB - max 65dB
- **Airflow Capacity (DIN EN 61591):** min 245 m<sup>3</sup>/h - max 455 m<sup>3</sup>/h
- **Airflow Capacity (Free Flow):** 550 m<sup>3</sup>/h
- **Motor:** 140 Watt Blower Type
- **Energy Class:** D
- **Package Dimensions (WxDxH):** 59x35x38 cm
- **MOQ:** 50 Pcs
- **20DC/40HC/Truck:** 378 Pcs / 792 Pcs / 899 Pcs

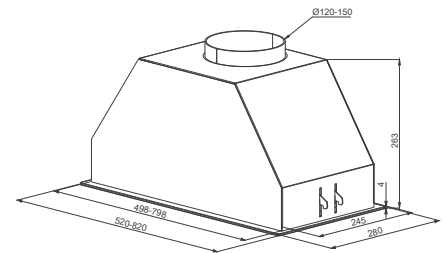
## > OPTIONAL FEATURES

- Carbon Filter Set
- Remote Control
- 60 cm / 72 cm / 82 cm
- 400 m<sup>3</sup>/h - 110 Watt Blower Motor (D class energy)
- 520 m<sup>3</sup>/h - 140 Watt Blower Motor (C class energy)
- 700 m<sup>3</sup>/h - 210 Watt Blower Motor (A class energy)
- 750 m<sup>3</sup>/h - 210 Watt Blower Motor (B class energy)
- 850 m<sup>3</sup>/h - 200 Watt Blower Motor (C class energy)

## > COLOR OPTIONS



Inox





# Nascosta Mescó

GLD52 VR3



52-60-72-82  
CM



LED  
LIGHT



BOOSTER  
LEVELS

## > MAIN FEATURES

- **Dimension:** 52 cm
- **Installation:** Built-in
- **Easy Fix Assembly System:** Yes
- **Control:** Touch
- **Speed:** 3
- **Lighting:** 2x2W LED Flush
- **Filter:** Aluminium (Dishwasher Safe)
- **Air Outlet:** 150 mm
- **Timer:** 5 Mins
- **Noise Level:** min 55dB - max 65dB
- **Airflow Capacity (DIN EN 61591):** min 245 m<sup>3</sup>/h - max 455 m<sup>3</sup>/h
- **Airflow Capacity (Free Flow):** 550 m<sup>3</sup>/h
- **Motor:** 140 Watt Blower Type
- **Energy Class:** D
- **Package Dimensions (WxDxH):** 59x35x38 cm
- **MOQ:** 50 Pcs
- **20DC/40HC/Truck:** 378 Pcs / 792 Pcs / 899 Pcs

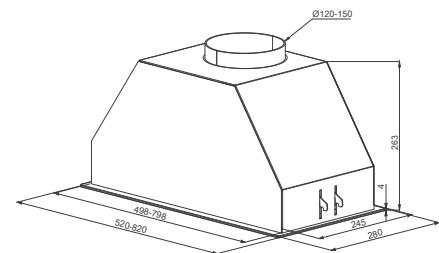
## > OPTIONAL FEATURES

- Carbon Filter Set
- Remote Control
- 60 cm / 72 cm / 82 cm
- 400 m<sup>3</sup>/h - 110 Watt Blower Motor (D class energy)
- 520 m<sup>3</sup>/h - 140 Watt Blower Motor (C class energy)
- 700 m<sup>3</sup>/h - 210 Watt Blower Motor (A class energy)
- 750 m<sup>3</sup>/h - 210 Watt Blower Motor (B class energy)
- 850 m<sup>3</sup>/h - 200 Watt Blower Motor (C class energy)

## > COLOR OPTIONS



Black    Inox    White





# Nascosta Basilare

GLD52 VR4

NEW



52-60-72-82  
CM



LED  
LIGHT



3  
BOOSTER  
LEVELS

## > MAIN FEATURES

- **Dimension:** 52 cm
- **Installation:** Built-in
- **Easy Fix Assembly System:** Yes
- **Control:** Push Button
- **Speed:** 3
- **Lighting:** 2x2W LED Flush
- **Filter:** Aluminium (Dishwasher Safe)
- **Air Outlet:** 150 mm
- **Noise Level:** min 55dB - max 65dB
- **Airflow Capacity (DIN EN 61591):** min 245 m<sup>3</sup>/h - max 455 m<sup>3</sup>/h
- **Airflow Capacity (Free Flow):** 550 m<sup>3</sup>/h
- **Motor:** 140 Watt Blower Type
- **Energy Class:** D
- **Package Dimensions (WxDxH):** 59x35x38 cm
- **MOQ:** 50 Pcs
- **20DC/40HC/Truck:** 378 Pcs / 792 Pcs / 899 Pcs

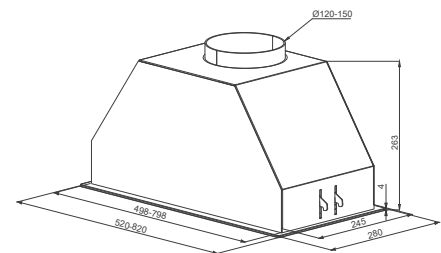
## > OPTIONAL FEATURES

- Carbon Filter Set
- 60 cm / 72 cm / 82 cm
- 400 m<sup>3</sup>/h - 110 Watt Blower Motor (D class energy)
- 520 m<sup>3</sup>/h - 140 Watt Blower Motor (C class energy)
- 700 m<sup>3</sup>/h - 210 Watt Blower Motor (A class energy)
- 750 m<sup>3</sup>/h - 210 Watt Blower Motor (B class energy)
- 850 m<sup>3</sup>/h - 200 Watt Blower Motor (C class energy)

## > COLOR OPTIONS



Black Grey Beige White





# Nascosta Vetro Plus

GLD82



52-60-72-82  
CM



LED  
LIGHT



BOOSTER  
LEVELS

## > MAIN FEATURES

- **Dimension:** 82 cm
- **Installation:** Built-in
- **Easy Fix Assembly System:** Yes
- **Control:** Touch
- **Speed:** 3
- **Lighting:** 2x2W LED Flush
- **Filter:** Aluminium (Dishwasher Safe)
- **Air Outlet:** 150 mm
- **Timer:** 5 Mins
- **Noise Level:** min 55dB - max 65dB
- **Airflow Capacity (DIN EN 61591):** min 245 m<sup>3</sup>/h - max 455 m<sup>3</sup>/h
- **Airflow Capacity (Free Flow):** 550 m<sup>3</sup>/h
- **Motor:** 140 Watt Blower Type
- **Energy Class:** D
- **Package Dimensions (WxDxH):** 89x35x38 cm
- **MOQ:** 50 Pcs
- **20DC/40HC/Truck:** 250 Pcs / 535 Pcs / 600 Pcs

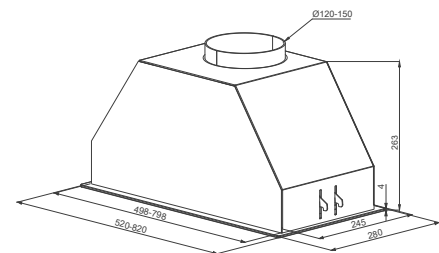
## > OPTIONAL FEATURES

- Carbon Filter Set
- Remote Control
- 52 cm / 60 cm / 72 cm
- 400 m<sup>3</sup>/h - 110 Watt Blower Motor (D class energy)
- 520 m<sup>3</sup>/h - 140 Watt Blower Motor (C class energy)
- 700 m<sup>3</sup>/h - 210 Watt Blower Motor (A class energy)
- 750 m<sup>3</sup>/h - 210 Watt Blower Motor (B class energy)
- 850 m<sup>3</sup>/h - 200 Watt Blower Motor (C class energy)

## > COLOR OPTIONS



Black Grey Beige White





# Nascosta Ore Plus

GLD82 VR2

NEW



52-60-72-82  
CM



LED  
LIGHT



BOOSTER  
LEVELS

## > MAIN FEATURES

- **Dimension:** 52 cm
- **Installation:** Built-in
- **Easy Fix Assembly System:** Yes
- **Control:** Soft Touch with Display
- **Speed:** 3
- **Lighting:** 2x2W LED Spot
- **Filter:** Aluminium (Dishwasher Safe)
- **Air Outlet:** 150 mm
- **Filter Saturation Indicator:** Yes
- **Timer:** 15 Mins
- **Noise Level:** min 55dB - max 65dB
- **Airflow Capacity (DIN EN 61591):** min 245 m<sup>3</sup>/h - max 455 m<sup>3</sup>/h
- **Airflow Capacity (Free Flow):** 550 m<sup>3</sup>/h
- **Motor:** 140 Watt Blower Type
- **Energy Class:** D
- **Package Dimensions (WxDxH):** 89x35x38 cm
- **MOQ:** 50 Pcs
- **20DC/40HC/Truck:** 250 Pcs / 535 Pcs / 600 Pcs

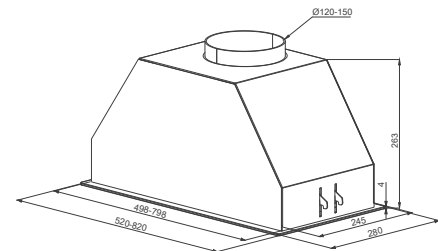
## > OPTIONAL FEATURES

- Carbon Filter Set
- Remote Control
- 52 cm / 60 cm / 72 cm
- 400 m<sup>3</sup>/h - 110 Watt Blower Motor (D class energy)
- 520 m<sup>3</sup>/h - 140 Watt Blower Motor (C class energy)
- 700 m<sup>3</sup>/h - 210 Watt Blower Motor (A class energy)
- 750 m<sup>3</sup>/h - 210 Watt Blower Motor (B class energy)
- 850 m<sup>3</sup>/h - 200 Watt Blower Motor (C class energy)

## > COLOR OPTIONS



Inox





# Xtra

## LD30



60-90  
CM



LED  
LIGHT



BOOSTER  
LEVELS

### > MAIN FEATURES

- **Dimension:** 60 cm
- **Installation:** Built-in & Wall Type
- **Control:** Flat Push Button
- **Speed:** 3
- **Lighting:** 2x1W LED Spot
- **Filter:** Aluminium (Dishwasher Safe)
- **Air Outlet:** 120 mm
- **Noise Level:** min 53dB - max 63dB
- **Airflow Capacity (DIN EN 61591):** min 125 m<sup>3</sup>/h - max 250 m<sup>3</sup>/h
- **Airflow Capacity (Free Flow):** 400 m<sup>3</sup>/h
- **Motor:** 110 Watt Blower Type
- **Energy Class:** D
- **Package Dimensions (WxDxH):** 65x32x55 cm
- **MOQ:** 50 Pcs
- **20DC/40HC/Truck:** 252 Pcs / 516 Pcs / 584 Pcs

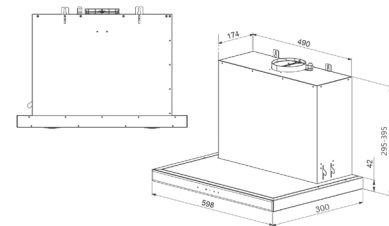
### > OPTIONAL FEATURES

- Carbon Filter Set
- Easy Fix Assembly System
- 90 cm
- 520 m<sup>3</sup>/h - 140 Watt Blower Motor (C class energy)

### > COLOR OPTIONS



Black    Inox    White





# Xtra S

LD30-03



60-90  
CM



LED  
LIGHT



BOOSTER  
LEVELS

## > MAIN FEATURES

- **Dimension:** 60 cm
- **Installation:** Built-in & Wall Type
- **Control:** Touch
- **Speed:** 3
- **Lighting:** 2x1W LED Spot
- **Filter:** Aluminium (Dishwasher Safe)
- **Air Outlet:** 120 mm
- **Timer:** 5 Mins
- **Noise Level:** min 53dB - max 63dB
- **Airflow Capacity (DIN EN 61591):** min 125 m<sup>3</sup>/h - max 250 m<sup>3</sup>/h
- **Airflow Capacity (Free Flow):** 400 m<sup>3</sup>/h
- **Motor:** 110 Watt Blower Type
- **Energy Class:** D
- **Package Dimensions (WxDxH):** 65x32x55 cm
- **MOQ:** 50 Pcs
- **20DC/40HC/Truck:** 252 Pcs / 516 Pcs / 584 Pcs

## > OPTIONAL FEATURES

- Carbon Filter Set
- Easy Fix Assembly System
- 90 cm
- 520 m<sup>3</sup>/h - 140 Watt Blower Motor (C class energy)

## > COLOR OPTIONS

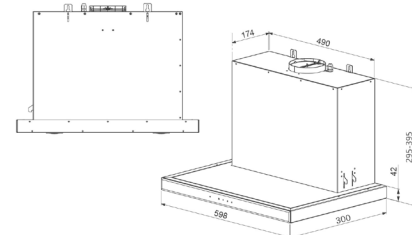


Black    Inox    White

## > GLASS COLORS



Black    White







# CLASSIC HOODS



# Sotto Uno

5501



60-90  
CM



LED  
LIGHT



3  
BOOSTER  
LEVELS

## > MAIN FEATURES

- **Dimension:** 60 cm
- **Installation:** Under Cabinet
- **Frontal Recirculation:** Yes
- **Control:** Push Button
- **Speed:** 3
- **Lighting:** 1x5W LED Bulb
- **Filter:** Aluminium (Dishwasher Safe)
- **Air Outlet:** 120 mm
- **Noise Level:** min 53dB - max 62dB
- **Airflow Capacity (DIN EN 61591):** min 125 m<sup>3</sup>/h - max 240 m<sup>3</sup>/h
- **Airflow Capacity (Free Flow):** 280 m<sup>3</sup>/h
- **Motor:** 110 Watt Shaded Pole
- **Energy Class:** D
- **Package Dimensions (WxDxH):** 62x17x52 cm
- **MOQ:** 100 Pcs
- **20DC/40HC/Truck:** 457 Pcs / 1060 Pcs / 1300 Pcs

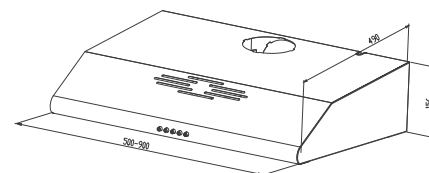
## > OPTIONAL FEATURES

- Carbon Filter Set
- Rustic Push Button
- 50 cm / 70 cm / 80 cm / 90 cm
- 2 Air Outlets (Back&Top)
- Glass Visor
- 450 m<sup>3</sup>/h - 2x90 Watt Motor (D class energy)
- 520 m<sup>3</sup>/h - 2x110 Watt Motor (D class energy)

## > COLOR OPTIONS



Black Grey Inox Beige Brown White





# Sotto Doppio

5502-90



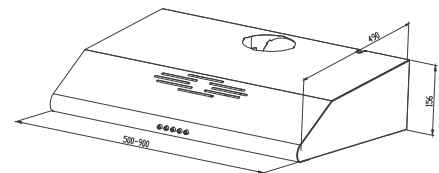
## > MAIN FEATURES

- **Dimension:** 90 cm
- **Installation:** Under Cabinet
- **Frontal Recirculation:** Yes
- **Control:** Push Button
- **Speed:** 3
- **Lighting:** 1x5W LED Bulb
- **Filter:** Aluminium (Dishwasher Safe)
- **Air Outlet:** 120 mm
- **Noise Level:** min 55dB - max 66dB
- **Airflow Capacity (DIN EN 61591):** min 135 m<sup>3</sup>/h - max 300 m<sup>3</sup>/h
- **Airflow Capacity (Free Flow):** 450 m<sup>3</sup>/h
- **Motor:** 2x90 Watt Shaded Pole
- **Energy Class:** D
- **Package Dimensions (WxDxH):** 92x17x52 cm
- **MOQ:** 100 Pcs
- **20DC/40HC/Truck:** 301 Pcs / 716 Pcs / 877 Pcs

## > OPTIONAL FEATURES

- Carbon Filter Set
- Rustic Push Button
- 50 cm / 60 cm / 70 cm / 80 cm
- 2 Air Outlets (Back&Top)
- Glass Visor
- 280 m<sup>3</sup>/h - 110 Watt Motor (D class energy)
- 520 m<sup>3</sup>/h - 2x110 Watt Motor (D class energy)

## > COLOR OPTIONS







# Sotto Doppio Vetro

5502B-90 GL



60-90  
CM



LED  
LIGHT



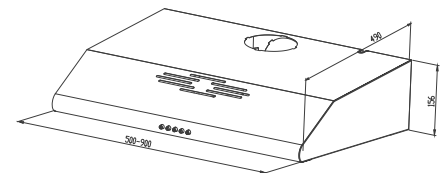
BOOSTER  
LEVELS

## > MAIN FEATURES

- **Dimension:** 90 cm
- **Installation:** Under Cabinet
- **Frontal Recirculation:** Yes
- **Control:** Push Button
- **Speed:** 3
- **Lighting:** 1x5W LED Bulb
- **Filter:** Aluminium (Dishwasher Safe)
- **Air Outlet:** 120 mm
- **Noise Level:** min 55dB - max 66dB
- **Airflow Capacity (DIN EN 61591):** min 135 m<sup>3</sup>/h - max 300 m<sup>3</sup>/h
- **Airflow Capacity (Free Flow):** 450 m<sup>3</sup>/h
- **Motor:** 2x90 Watt Shaded Pole
- **Energy Class:** D
- **Package Dimensions (WxDxH):** 92x17x52 cm
- **MOQ:** 100 Pcs
- **20DC/40HC/Truck:** 301 Pcs / 716 Pcs / 877 Pcs

## > OPTIONAL FEATURES

- Carbon Filter Set
- Rustic Push Button
- 50 cm / 60 cm / 70 cm / 80 cm
- 2 Air Outlets (Back&Top)
- Glass Visor
- 280 m<sup>3</sup>/h - 110 Watt Motor (D class energy)
- 520 m<sup>3</sup>/h - 2x110 Watt Motor (D class energy)



## > COLOR OPTIONS



Black Grey Inox Beige Brown White



# Retto

4501X

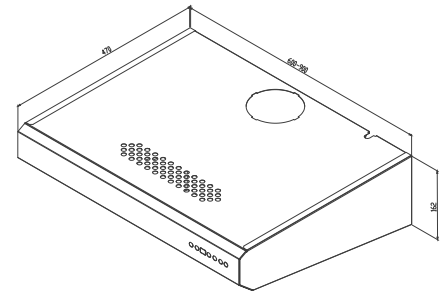


## > MAIN FEATURES

- **Dimension:** 60 cm
- **Installation:** Under Cabinet
- **Frontal Recirculation:** Yes
- **Control:** Push Button
- **Speed:** 3
- **Lighting:** 1x5W LED Bulb
- **Filter:** Aluminium (Dishwasher Safe)
- **Air Outlet:** 120 mm
- **Noise Level:** min 53dB - max 62dB
- **Airflow Capacity (DIN EN 61591):** min 125 m<sup>3</sup>/h - max 240 m<sup>3</sup>/h
- **Airflow Capacity (Free Flow):** 280 m<sup>3</sup>/h
- **Motor:** 110 Watt Shaded Pole
- **Energy Class:** D
- **Package Dimensions (WxDxH):** 62x19x51 cm
- **MOQ:** 100 Pcs
- **20DC/40HC/Truck:** 457 Pcs / 1060 Pcs / 1300 Pcs

## > OPTIONAL FEATURES

- Carbon Filter Set
- Rustic Push Button
- 90 cm
- 450 m<sup>3</sup>/h - 2x90 Watt Motor (D class energy)
- 520 m<sup>3</sup>/h - 2x110 Watt Motor (D class energy)



## > COLOR OPTIONS





# Retto S

## 4500 DIGITAL



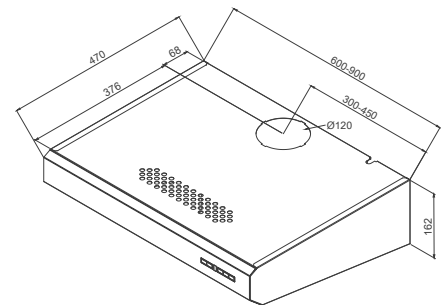
### > MAIN FEATURES

- **Dimension:** 60 cm
- **Installation:** Under Cabinet
- **Frontal Recirculation:** Yes
- **Control:** Soft Touch with Display
- **Speed:** 3
- **Lighting:** 2x2W LED Spot
- **Filter:** Aluminium (Dishwasher Safe)
- **Air Outlet:** 120 mm
- **Noise Level:** min 53dB - max 62dB
- **Airflow Capacity (DIN EN 61591):** min 125 m<sup>3</sup>/h - max 240 m<sup>3</sup>/h
- **Airflow Capacity (Free Flow):** 280 m<sup>3</sup>/h
- **Motor:** 110 Watt Shaded Pole
- **Energy Class:** D
- **Package Dimensions (WxDxH):** 62x19x51 cm
- **MOQ:** 100 Pcs
- **20DC/40HC/Truck:** 457 Pcs / 1060 Pcs / 1300 Pcs

### > OPTIONAL FEATURES

- Carbon Filter Set
- Remote Control
- 90 cm
- 450 m<sup>3</sup>/h - 2x90 Watt Motor (D class energy)
- 520 m<sup>3</sup>/h - 2x110 Watt Motor (D class energy)

### > COLOR OPTIONS





# Retto Doppio

4502-90



60-90  
CM



LED  
LIGHT



3  
BOOSTER  
LEVELS

## > MAIN FEATURES

- **Dimension:** 90 cm
- **Installation:** Under Cabinet
- **Frontal Recirculation:** Yes
- **Control:** Push Button
- **Speed:** 3
- **Lighting:** 1x5W LED Bulb
- **Filter:** Aluminium (Dishwasher Safe)
- **Air Outlet:** 120 mm
- **Noise Level:** min 55dB - max 66dB
- **Airflow Capacity (DIN EN 61591):** min 135 m<sup>3</sup>/h - max 300 m<sup>3</sup>/h
- **Airflow Capacity (Free Flow):** 450 m<sup>3</sup>/h
- **Motor:** 2x90 Watt Shaded Pole
- **Energy Class:** D
- **Package Dimensions (WxDxH):** 92x19x51 cm
- **MOQ:** 100 Pcs
- **20DC/40HC/Truck:** 301 Pcs / 716 Pcs / 877 Pcs

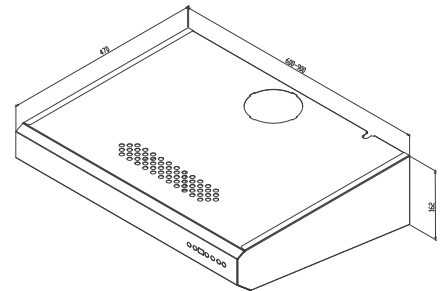
## > OPTIONAL FEATURES

- Carbon Filter Set
- Rustic Push Button
- 50 cm / 60 cm / 70 cm / 80 cm
- 280 m<sup>3</sup>/h - 110 Watt Motor (D class energy)
- 520 m<sup>3</sup>/h - 2x110 Watt Motor (D class energy)

## > COLOR OPTIONS



Black Grey Inox Beige Brown White







# Moderna

5400B GL



60-90  
CM



LED  
LIGHT



BOOSTER  
LEVELS

## > MAIN FEATURES

- **Dimension:** 60 cm
- **Installation:** Under Cabinet
- **Glass Visor:** Yes
- **Control:** Push Button
- **Speed:** 3
- **Lighting:** 2x2W LED Spot
- **Filter:** Aluminium (Dishwasher Safe)
- **Air Outlet:** 120 mm
- **Noise Level:** min 53dB - max 63dB
- **Airflow Capacity (DIN EN 61591):** min 125 m<sup>3</sup>/h - max 250 m<sup>3</sup>/h
- **Airflow Capacity (Free Flow):** 400 m<sup>3</sup>/h
- **Motor:** 110 Watt Blower Type
- **Energy Class:** D
- **Package Dimensions (WxDxH):** 64x20x55 cm
- **MOQ:** 100 Pcs
- **20DC/40HC/Truck:** 408 Pcs / 791 Pcs / 977 Pcs

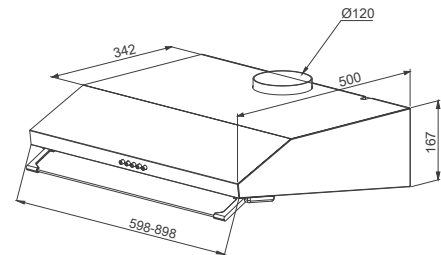
## > OPTIONAL FEATURES

- Carbon Filter Set
- Rustic Push Button
- 90 cm

## > COLOR OPTIONS



Black Grey Inox Beige Brown White





# Moderna S

5400-03B GL



60-90  
CM



LED  
LIGHT



BOOSTER  
LEVELS

## > MAIN FEATURES

- **Dimension:** 60 cm
- **Installation:** Under Cabinet
- **Glass Visor:** Yes
- **Control:** Touch
- **Speed:** 3
- **Lighting:** 2x2W LED Spot
- **Filter:** Aluminium (Dishwasher Safe)
- **Air Outlet:** 120 mm
- **Noise Level:** min 53dB - max 63dB
- **Airflow Capacity (DIN EN 61591):** min 125 m<sup>3</sup>/h - max 250 m<sup>3</sup>/h
- **Airflow Capacity (Free Flow):** 400 m<sup>3</sup>/h
- **Motor:** 110 Watt Blower Type
- **Energy Class:** D
- **Package Dimensions (WxDxH):** 64x20x55 cm
- **MOQ:** 100 Pcs
- **20DC/40HC/Truck:** 408 Pcs / 791 Pcs / 977 Pcs

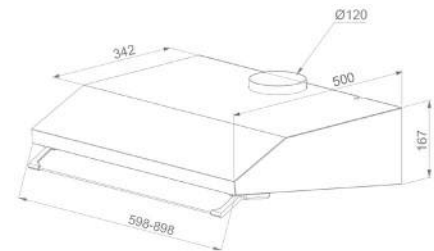
## > OPTIONAL FEATURES

- Carbon Filter Set
- Remote Control
- 90 cm

## > COLOR OPTIONS



Black Grey Inox Beige Brown White





# TELESCOPIC HOODS



# Tiro 90

7062-90



60-90  
CM



LED  
LIGHT



BOOSTER  
LEVELS

## > MAIN FEATURES

- **Dimension:** 90 cm
- **Installation:** Built-in
- **Control:** Rocker Switch
- **Speed:** 3
- **Lighting:** 2x5W LED Bulb
- **Filter:** Aluminium (Dishwasher Safe)
- **Air Outlet:** 120 mm
- **Noise Level:** min 55dB - max 66dB
- **Airflow Capacity (DIN EN 61591):** min 135 m<sup>3</sup>/h - max 300 m<sup>3</sup>/h
- **Airflow Capacity (Free Flow):** 450 m<sup>3</sup>/h
- **Motor:** 2x90 Watt Shaded Pole
- **Energy Class:** D
- **Package Dimensions (WxDxH):** 92x19x32 cm
- **MOQ:** 100 Pcs
- **20DC/40HC/Truck:** 504 Pcs / 1057 Pcs / 1246 Pcs

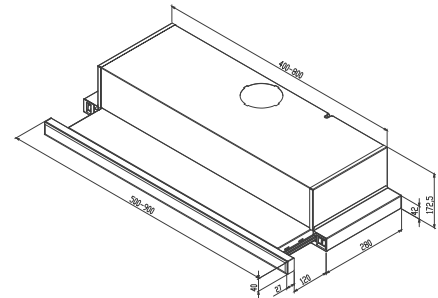
## > OPTIONAL FEATURES

- Carbon Filter Set
- 50 cm / 60 cm
- 2x2 Watt LED Spot
- 280 m<sup>3</sup>/h - 110 Watt Motor (D class energy)
- 520 m<sup>3</sup>/h - 2x110 Watt Motor (D class energy)

## > COLOR OPTIONS



Black Grey Inox Beige Brown White





# Tactus S Grande

9064-03-90



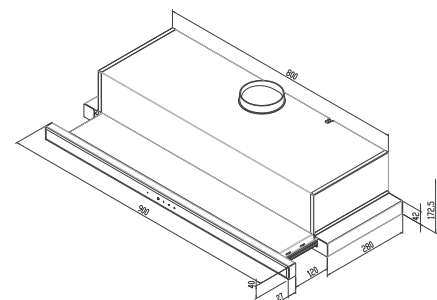
## > MAIN FEATURES

- **Dimension:** 90 cm
- **Installation:** Built-in
- **Control:** Touch
- **Speed:** 3
- **Lighting:** 2x1W LED Spot
- **Filter:** Aluminium (Dishwasher Safe)
- **Air Outlet:** 150 mm
- **Timer:** 5 Mins

- **Noise Level:** min 55dB - max 65dB
- **Airflow Capacity (DIN EN 61591):** min 245 m<sup>3</sup>/h - max 455 m<sup>3</sup>/h
- **Airflow Capacity (Free Flow):** 550 m<sup>3</sup>/h
- **Motor:** 140 Watt Blower Type
- **Energy Class:** D
- **Package Dimensions (WxDxH):** 96x32x36 cm
- **MOQ:** 100 Pcs
- **20DC/40HC/Truck:** 252 Pcs / 602 Pcs / 686 Pcs

## > OPTIONAL FEATURES

- Carbon Filter Set
- Remote Control
- 50 cm / 60 cm
- 700 m<sup>3</sup>/h - 210 Watt Blower Motor (A class energy)
- 750 m<sup>3</sup>/h - 210 Watt Blower Motor (B class energy)
- 850 m<sup>3</sup>/h - 200 Watt Blower Motor (C class energy)



## > GLASS COLORS



## > COLOR OPTIONS





# Tactus S

6064-03



60-90  
CM



LED  
LIGHT



BOOSTER  
LEVELS

## > MAIN FEATURES

- **Dimension:** 60 cm
- **Installation:** Built-in
- **Control:** Touch
- **Speed:** 3
- **Lighting:** 2x1W LED Spot
- **Filter:** Aluminium (Dishwasher Safe)
- **Air Outlet:** 120 mm
- **Timer:** 5 Mins
- **Noise Level:** min 53dB - max 63dB
- **Airflow Capacity (DIN EN 61591):** min 125 m<sup>3</sup>/h - max 280 m<sup>3</sup>/h
- **Airflow Capacity (Free Flow):** 400 m<sup>3</sup>/h
- **Motor:** 110 Watt Blower Type
- **Energy Class:** D
- **Package Dimensions (WxDxH):** 62x21x36cm
- **MOQ:** 100 Pcs
- **20DC/40HC/Truck:** 450 Pcs / 1010 Pcs / 1356 Pcs

## > OPTIONAL FEATURES

- Carbon Filter Set
- Remote Control
- 50 cm / 90 cm

## > GLASS COLORS

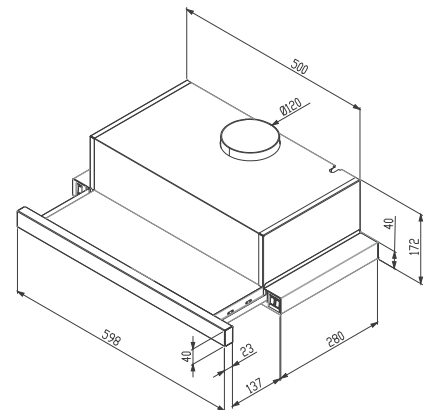


Black White

## > COLOR OPTIONS



Black Grey White





# Tiro Vetro

7062GL-BL



60-90  
CM



LED  
LIGHT



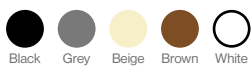
3  
BOOSTER  
LEVELS

## > MAIN FEATURES

- **Dimension:** 60 cm
- **Installation:** Built-in
- **Control:** Rocker Switch
- **Speed:** 3
- **Lighting:** 1x5W LED Bulb
- **Filter:** Aluminium (Dishwasher Safe)
- **Air Outlet:** 120 mm
- **Noise Level:** min 55dB - max 66dB
- **Airflow Capacity (DIN EN 61591):** min 135 m<sup>3</sup>/h - max 300 m<sup>3</sup>/h
- **Airflow Capacity (Free Flow):** 450 m<sup>3</sup>/h
- **Motor:** 2x90 Watt Shaded Pole
- **Energy Class:** D
- **Package Dimensions (WxDxH):** 62x19x32 cm
- **MOQ:** 100 Pcs
- **20DC/40HC/Truck:** 648 Pcs / 1482 Pcs / 1792 Pcs

## > OPTIONAL FEATURES

## > GLASS COLORS

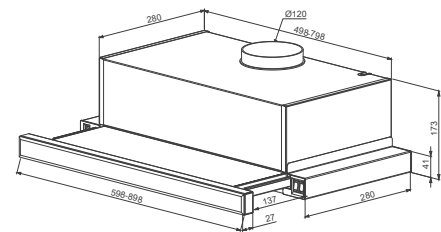


Black Grey Beige Brown White

## > COLOR OPTIONS



Black Grey Beige Brown White





# Tiro 50

7062-50



60-90  
CM



LED  
LIGHT



3  
BOOSTER  
LEVELS

## > MAIN FEATURES

- **Dimension:** 50 cm
- **Installation:** Built-in
- **Control:** Rocker Switch
- **Speed:** 3
- **Lighting:** 1x5W LED Bulb
- **Filter:** Aluminium (Dishwasher Safe)
- **Air Outlet:** 120 mm
- **Noise Level:** min 55dB - max 66dB
- **Airflow Capacity (DIN EN 61591):** min 135 m<sup>3</sup>/h - max 300 m<sup>3</sup>/h
- **Airflow Capacity (Free Flow):** 450 m<sup>3</sup>/h
- **Motor:** 2x90 Watt Shaded Pole
- **Energy Class:** D
- **Package Dimensions (WxDxH):** 52x19x32 cm
- **MOQ:** 100 Pcs
- **20DC/40HC/Truck:** 669 Pcs / 1522 Pcs / 1792 Pcs

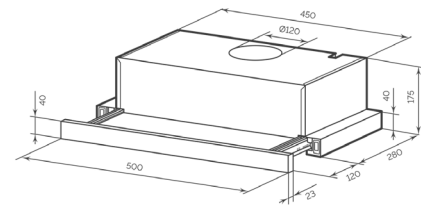
## > OPTIONAL FEATURES

- Carbon Filter Set
- 60 cm / 90 cm
- 1x2 Watt LED Linear
- 2x2 Watt LED Spot
- 280 m<sup>3</sup>/h - 110 Watt Motor (D class energy)
- 520 m<sup>3</sup>/h - 2x110 Watt Motor (D class energy)

## > COLOR OPTIONS



Black Grey Inox Beige Brown White







# Tactus

6064



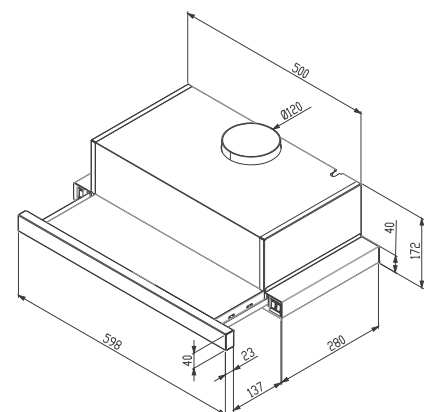
## > MAIN FEATURES

- **Dimension:** 60 cm
- **Installation:** Built-in
- **Control:** Rocker Switch
- **Speed:** 3
- **Lighting:** 1x2W LED Linear
- **Filter:** Aluminium (Dishwasher Safe)
- **Air Outlet:** 120 mm
- **Noise Level:** min 53dB - max 63dB
- **Airflow Capacity (DIN EN 61591):** min 125 m<sup>3</sup>/h - max 280 m<sup>3</sup>/h
- **Airflow Capacity (Free Flow):** 400 m<sup>3</sup>/h
- **Motor:** 110 Watt Blower Type
- **Energy Class:** D
- **Package Dimensions (WxDxH):** 65x22x36cm
- **MOQ:** 100 Pcs
- **20DC/40HC/Truck:** 450 Pcs / 1010 Pcs / 1356 Pcs

## > OPTIONAL FEATURES

- Carbon Filter Set
- 50 cm / 90 cm
- 2x2 Watt LED Spot
- 1x5 Watt LED Bulb

## > COLOR OPTIONS





# Tactus Forte

9074



60-90  
CM



LED  
LIGHT



3  
BOOSTER  
LEVELS

## > MAIN FEATURES

- **Dimension:** 60 cm
- **Installation:** Built-in
- **Control:** Rocker Switch
- **Speed:** 3
- **Lighting:** 1x5W LED Bulb
- **Filter:** Aluminium (Dishwasher Safe)
- **Air Outlet:** 150 mm
- **Noise Level:** min 51dB - max 68dB
- **Airflow Capacity (DIN EN 61591):** min 250 m<sup>3</sup>/h - max 615 m<sup>3</sup>/h
- **Airflow Capacity (Free Flow):** 850 m<sup>3</sup>/h
- **Motor:** 200 Watt Blower Type
- **Energy Class:** D
- **Package Dimensions (WxDxH):** 66x32x36 cm
- **MOQ:** 100 Pcs
- **20DC/40HC/Truck:** 378 Pcs / 756 Pcs / 849 Pcs

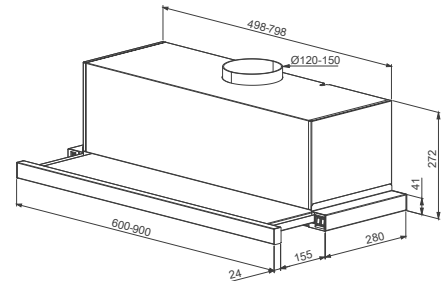
## > OPTIONAL FEATURES

- Carbon Filter Set
- Rustic Handle
- 50 CM / 90 CM
- 1x2 Watt LED Linear
- 2x2 Watt LED Spot
- 700 m<sup>3</sup>/h - 210 Watt Blower Motor (A class energy)
- 750 m<sup>3</sup>/h - 210 Watt Blower Motor (B class energy)

## > COLOR OPTIONS



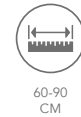
Black Grey Inox Beige Brown White





# Cintare

8082



60-90  
CM



LED  
LIGHT



BOOSTER  
LEVELS

## > MAIN FEATURES

- **Dimension:** 60 cm
- **Installation:** Built-in
- **Control:** Rocker Switch
- **Speed:** 3
- **Lighting:** 1x5W LED Bulb
- **Filter:** Aluminium (Dishwasher Safe)
- **Air Outlet:** 120 mm
- **Noise Level:** min 55dB - max 66dB
- **Airflow Capacity (DIN EN 61591):** min 135 m<sup>3</sup>/h - max 300 m<sup>3</sup>/h
- **Airflow Capacity (Free Flow):** 450 m<sup>3</sup>/h
- **Motor:** 2x90 Watt Shaded Pole
- **Energy Class:** D
- **Package Dimensions (WxDxH):** 62x19x32 cm
- **MOQ:** 100 Pcs
- **20DC/40HC/Truck:** 648 Pcs / 1482 Pcs / 1792 Pcs

## > OPTIONAL FEATURES

- Carbon Filter Set
- 50 cm / 90 cm
- 1x2 Watt LED Linear
- 2x2 Watt LED Spot
- 280 m<sup>3</sup>/h - 110 Watt Motor (D class energy)
- 520 m<sup>3</sup>/h - 2x110 Watt Motor (D class energy)

## > GLASS COLORS

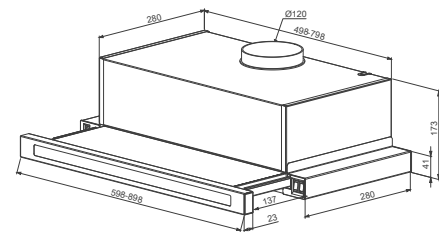


Black White

## > COLOR OPTIONS



Black Grey Inox Beige Brown White





# Tiro

7062



60-90  
CM



LED  
LIGHT



3  
BOOSTER  
LEVELS

## > MAIN FEATURES

- **Dimension:** 60 cm
- **Installation:** Built-in
- **Control:** Rocker Switch
- **Speed:** 3
- **Lighting:** 1x5W LED Bulb
- **Filter:** Aluminium (Dishwasher Safe)
- **Air Outlet:** 120 mm
- **Noise Level:** min 55dB - max 66dB
- **Airflow Capacity (DIN EN 61591):** min 135 m<sup>3</sup>/h - max 300 m<sup>3</sup>/h
- **Airflow Capacity (Free Flow):** 450 m<sup>3</sup>/h
- **Motor:** 2x90 Watt Shaded Pole
- **Energy Class:** D
- **Package Dimensions (WxDxH):** 62x19x32 cm
- **MOQ:** 100 Pcs
- **20DC/40HC/Truck:** 648 Pcs / 1482 Pcs / 1792 Pcs

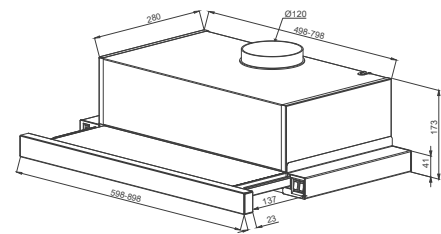
## > OPTIONAL FEATURES

- Carbon Filter Set
- 50 cm / 90 cm
- 1x2 Watt LED Linear
- 2x2 Watt LED Spot
- 280 m<sup>3</sup>/h - 110 Watt Motor (D class energy)
- 520 m<sup>3</sup>/h - 2x110 Watt Motor (D class energy)

## > COLOR OPTIONS



Black Grey Inox Beige Brown White





# Tiro Rustico

7062RB



60-90  
CM



LED  
LIGHT



BOOSTER  
LEVELS

## > MAIN FEATURES

- **Dimension:** 60 cm
- **Installation:** Built-in
- **Control:** Rocker Switch
- **Speed:** 3
- **Rustic Handle:** Yes
- **Lighting:** 1x5W LED Bulb
- **Filter:** Aluminium (Dishwasher Safe)
- **Air Outlet:** 120 mm
- **Noise Level:** min 55dB - max 66dB
- **Airflow Capacity (DIN EN 61591):** min 135 m<sup>3</sup>/h - max 300 m<sup>3</sup>/h
- **Airflow Capacity (Free Flow):** 450 m<sup>3</sup>/h
- **Motor:** 2x90 Watt Shaded Pole
- **Energy Class:** D
- **Package Dimensions (WxDxH):** 62x19x35 cm
- **MOQ:** 100 Pcs
- **20DC/40HC/Truck:** 648 Pcs / 1482 Pcs / 1792 Pcs

## > OPTIONAL FEATURES

- Carbon Filter Set
- 50 cm / 90 cm
- 1x2 Watt LED Linear
- 2x2 Watt LED Spot
- 280 m<sup>3</sup>/h - 110 Watt Motor (D class energy)
- 520 m<sup>3</sup>/h - 2x110 Watt Motor (D class energy)

## > COLOR OPTIONS

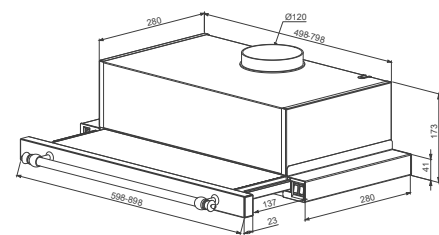


Black Grey Beige Brown White

## > HANDLE OPTIONS



Gold Bronze





# Ricircolo

7062-60 VR10 GLB



60-90  
CM



LED  
LIGHT



3  
BOOSTER  
LEVELS

## > MAIN FEATURES

- **Dimension:** 60 cm
- **Installation:** Built-in
- **Front Recirculation:** Yes
- **Control:** Rocker Switch
- **Speed:** 3
- **Rustic Handle:** Yes
- **Lighting:** 1x2W LED Linear
- **Filter:** Aluminium (Dishwasher Safe)
- **Carbon Filter Set:** Yes
- **Air Outlet:** 120 mm
- **Noise Level:** min 56dB - max 67dB
- **Airflow Capacity (Free Flow):** 465 m<sup>3</sup>/h
- **Motor:** 2x110 Watt Shaded Pole
- **Energy Class:** D
- **Package Dimensions (WxDxH):** 66x24x39 cm
- **MOQ:** 100 Pcs
- **20DC/40HC/Truck:** 420 Pcs / 1098 Pcs / 1356 Pcs



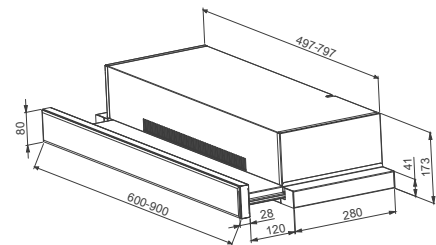
## > OPTIONAL FEATURES

- 90 cm
- 1x5 Watt LED Bulb
- 2x2 Watt LED Spot

## > COLOR OPTIONS



Black Grey White





# CENTRAL EXHAUST HOODS



# Senza

## CEH-GD82



### > MAIN FEATURES

- **Dimension:** 82 cm
- **Installation:** Built-in
- **Control:** Mechanic
- **Buttons:** On/Off
- **Lighting:** 2x2W LED Spot
- **Central Exhaust System:** Yes
- **Filter:** Aluminium (Dishwasher Safe)
- **Air Outlet:** 120 mm
- **Package Dimensions (WxDxH):** 86x32x35 cm
- **MOQ:** 50 Pcs
- **20DC/40HC/Truck:** 254 Pcs / 580 Pcs / 650 Pcs

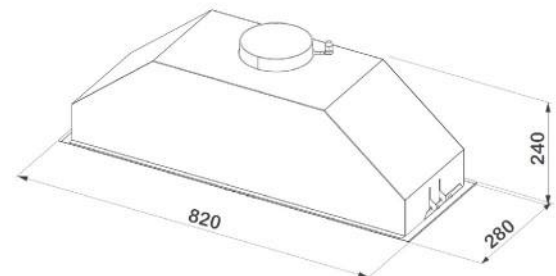
### > ADAPTABLE MODELS:

- Built in: Comodo - GD52
- Pyramid: Farao - SD56
- Telescopic: Tactus - 6064
- Inclined: Gemini - LD47
- Island: Tergola Isola - LDI32

### > OPTIONAL FEATURES

- 52 cm / 72 cm

### > COLOR OPTIONS







CENTRAL EXHAUST  
HOODS





**Export Office & Showroom:**  
Göztepe Mah. Batışehir Cad. St.  
Ofis K1 Blk. 2/1 B2 34218  
Bağcılar / İstanbul - TURKEY

**Factory:**  
Fatih Sultan Mehmet Cad. No:6/1  
Esenyurt - İstanbul / TURKEY

T. +90 212 351 5849  
F. +90 212 351 4830

[www.proff.com.tr](http://www.proff.com.tr) | [www.hibsan.com.tr](http://www.hibsan.com.tr)

**HIBSAN**

**PROFF**